

[54] **BELT GUARD FOR A ROTO-TILLER**  
 [76] Inventor: **Larry M. Cognata**, 4725 Benton  
 Smith Road, Nashville, Tenn. 37215  
 [\*\*] Term: **14 Years**  
 [21] Appl. No.: **708,423**  
 [22] Filed: **July 26, 1976**  
 [51] Int. Cl. .... **D15-03**  
 [52] U.S. Cl. .... **D15/12**  
 [58] Field of Search ..... **D15/12, 11, 28; 74/611;**  
 172/42

[56] **References Cited**  
**U.S. PATENT DOCUMENTS**  
 1,903,120 3/1933 Lafferty ..... 74/611

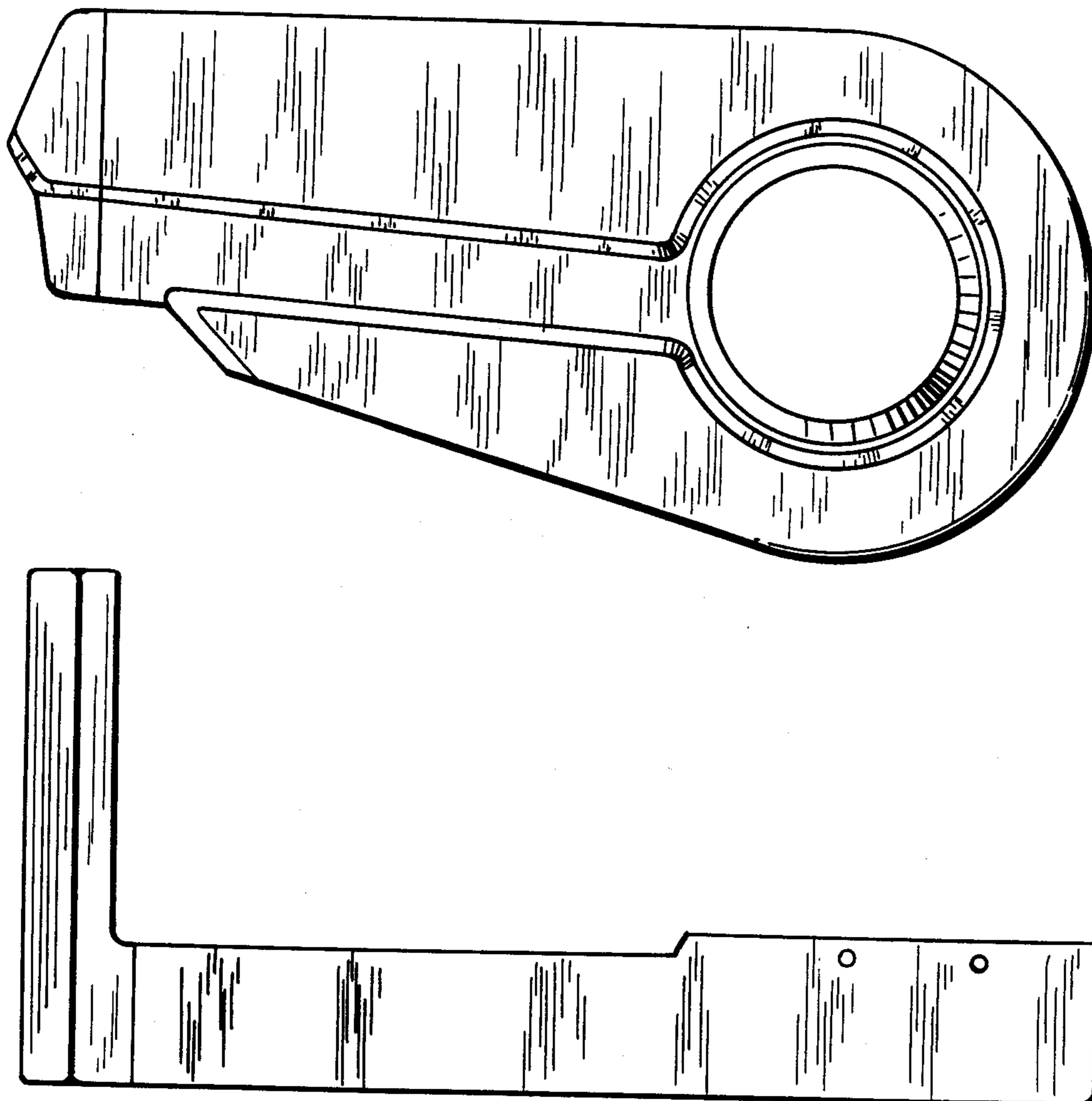
*Primary Examiner*—Wallace R. Burke  
*Assistant Examiner*—James M. Gandy  
*Attorney, Agent, or Firm*—John W. Malley

[57] **CLAIM**

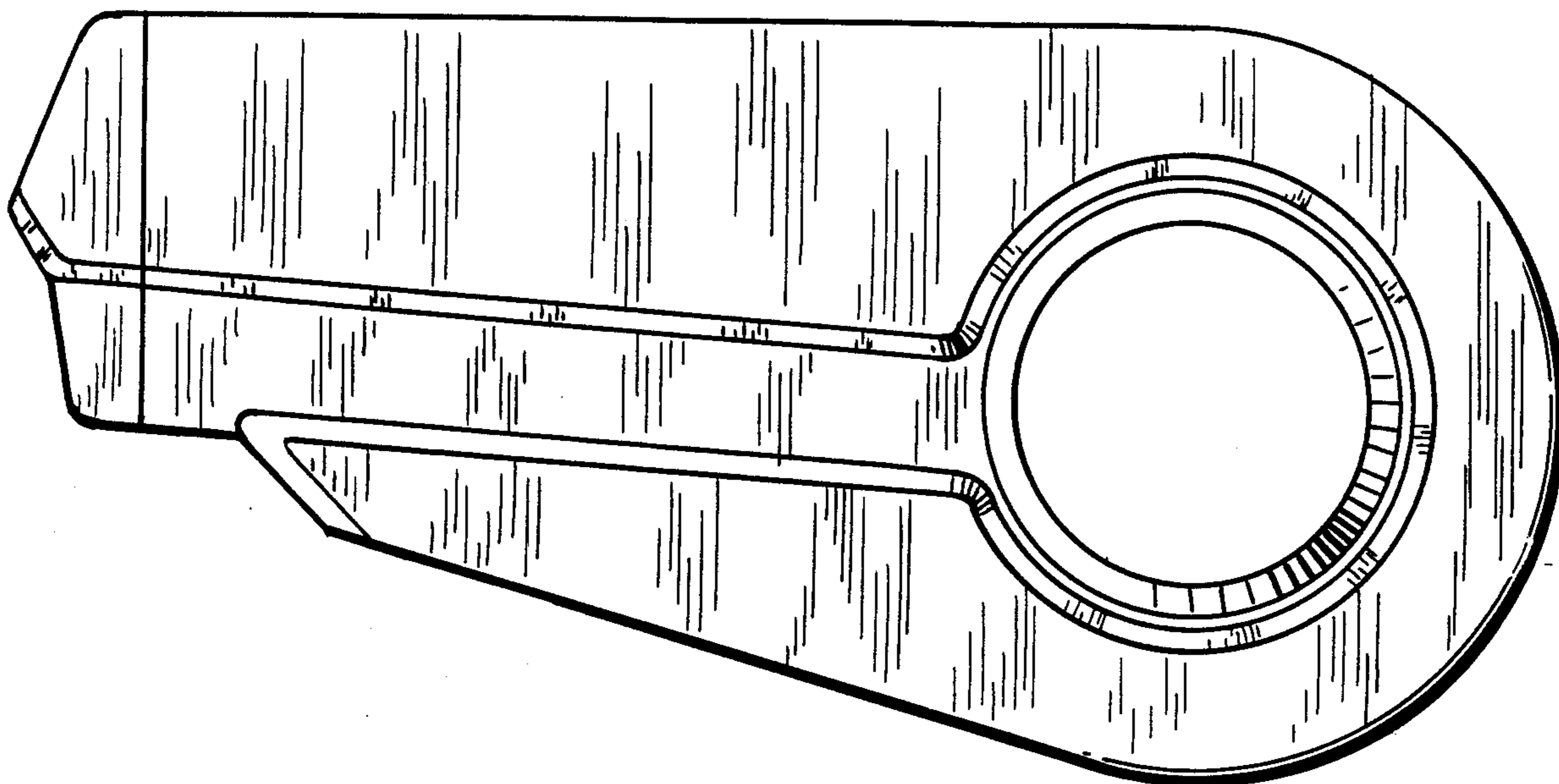
The ornamental design for a belt guard for a roto-tiller, substantially as shown.

**DESCRIPTION**

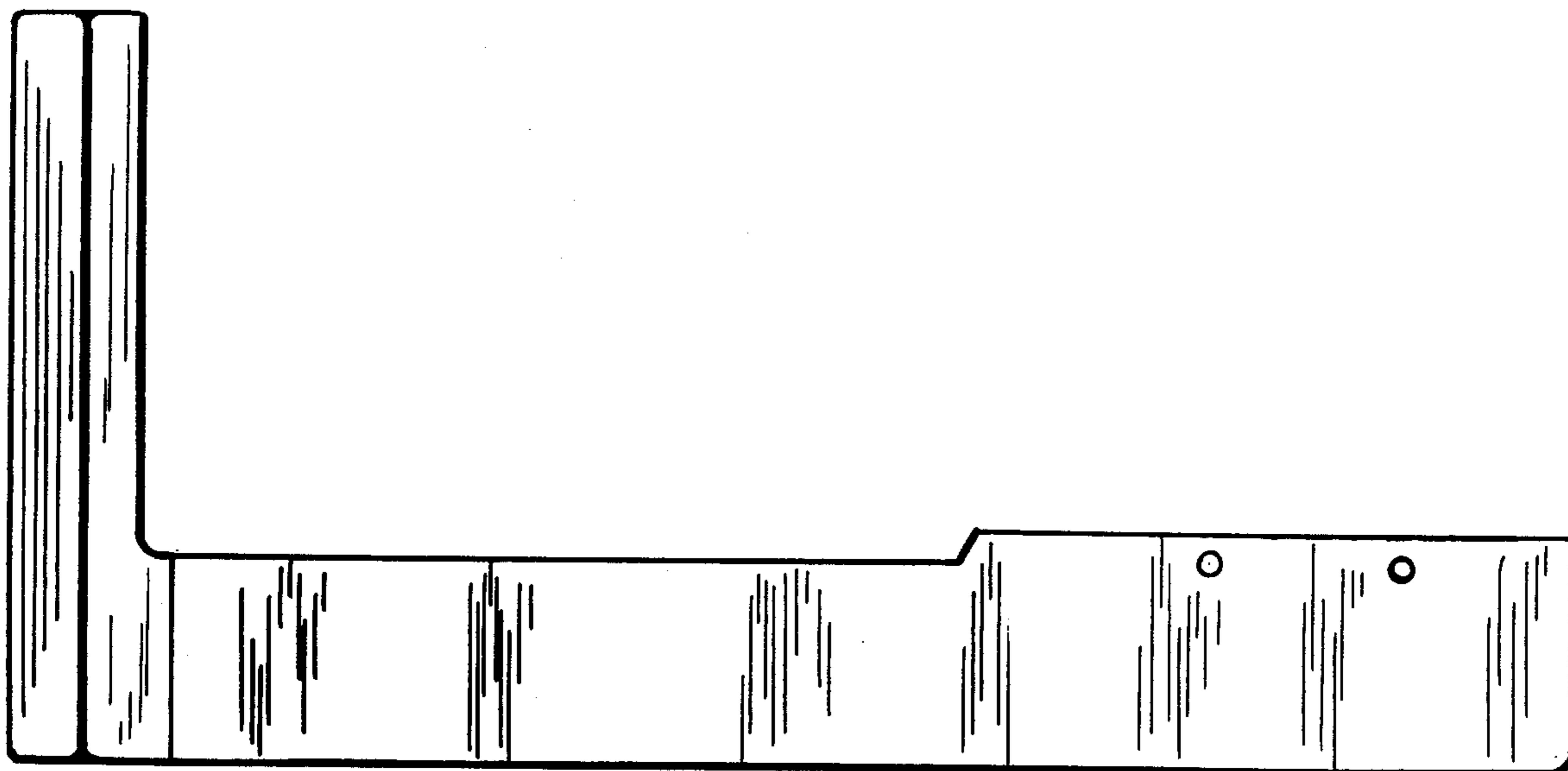
FIG. 1 is a side elevational view of a belt guard for a roto-tiller showing my new design;  
 FIG. 2 is a top plan view thereof;  
 FIG. 3 is a front elevational view thereof;  
 FIG. 4 is a rear elevational view thereof;  
 FIG. 5 is a bottom plan view thereof; and  
 FIG. 6 is an elevational view thereof from the side opposite that shown in FIG. 1.



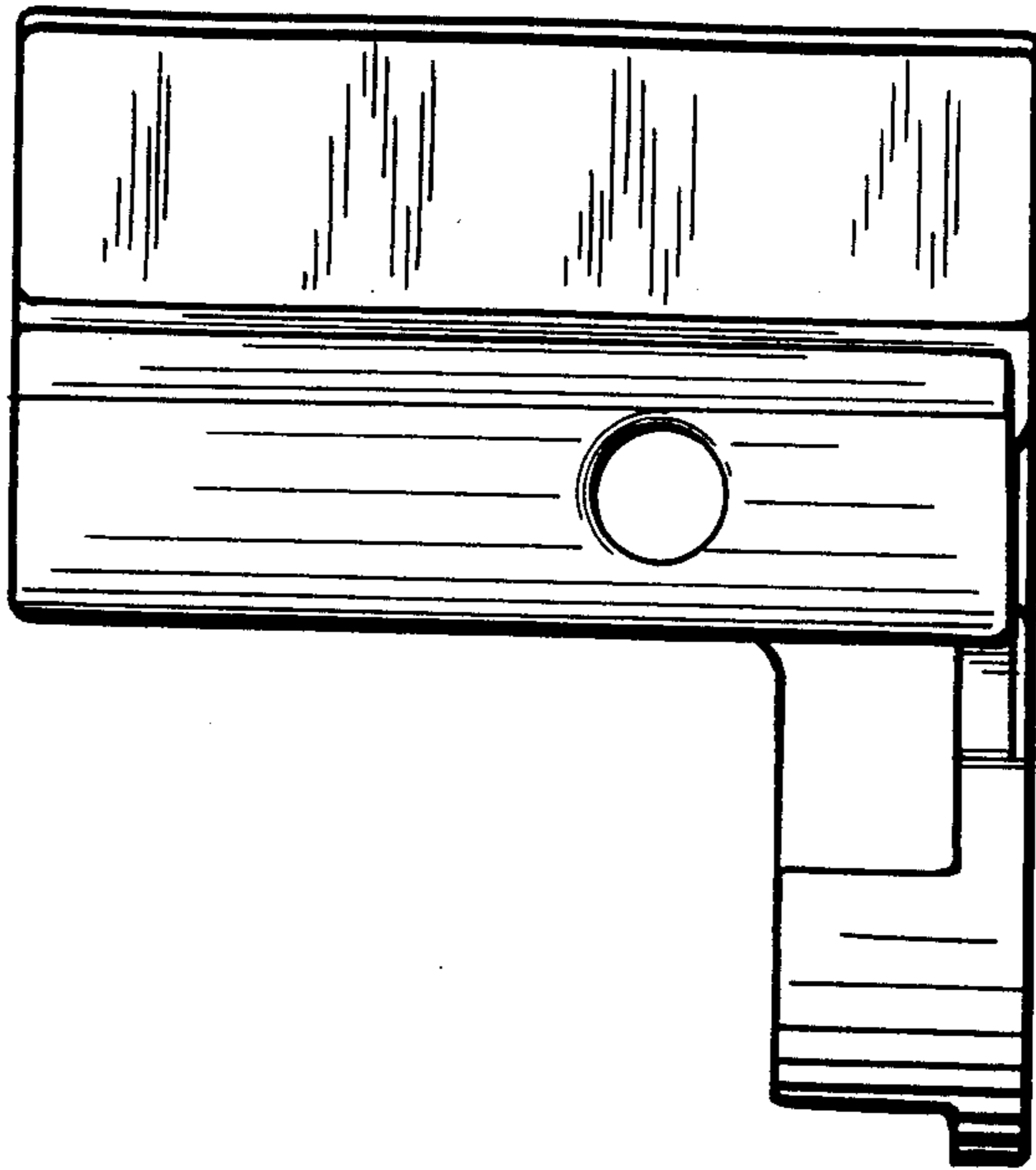
*Fig. 1.*



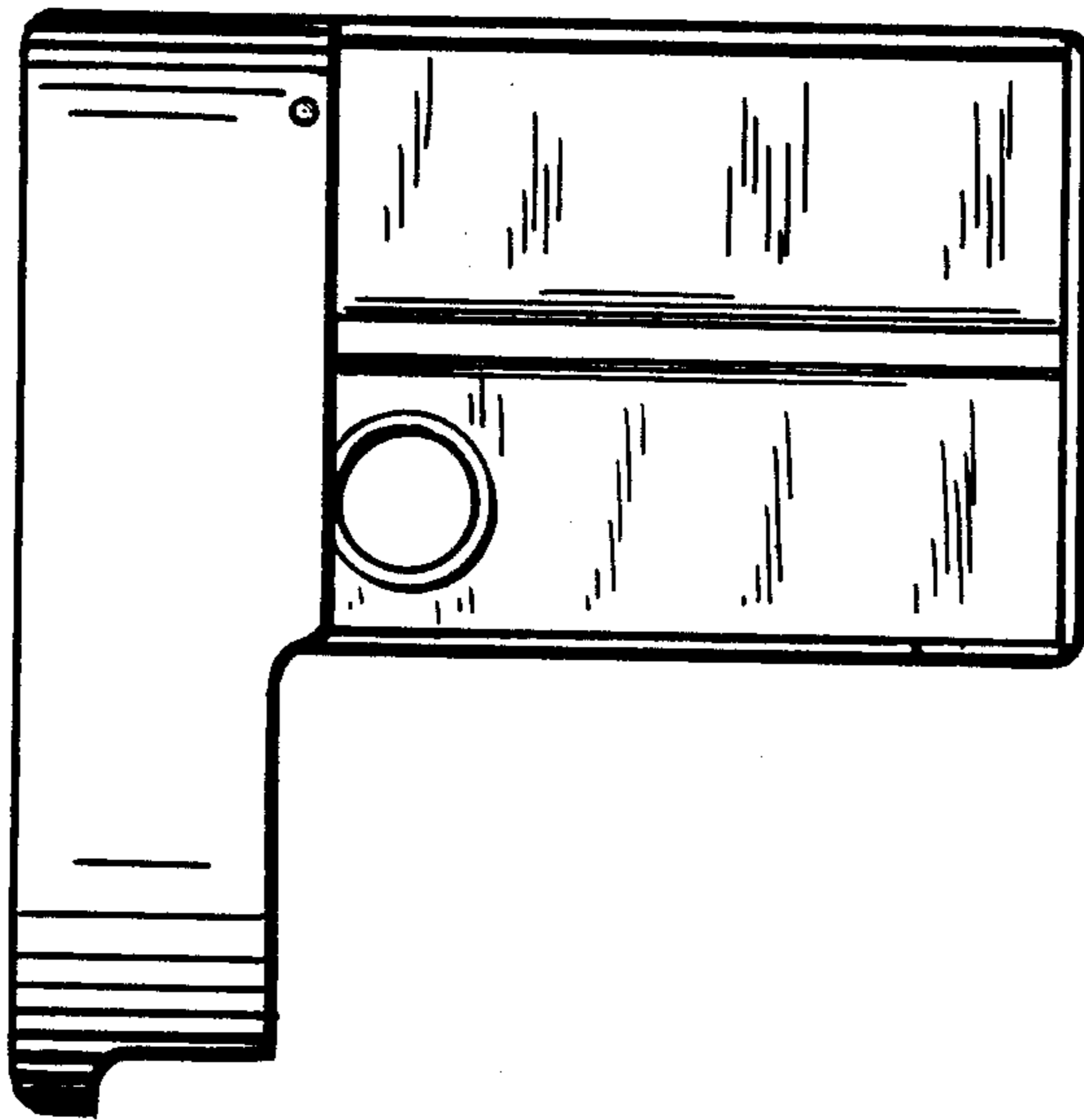
*Fig. 2.*



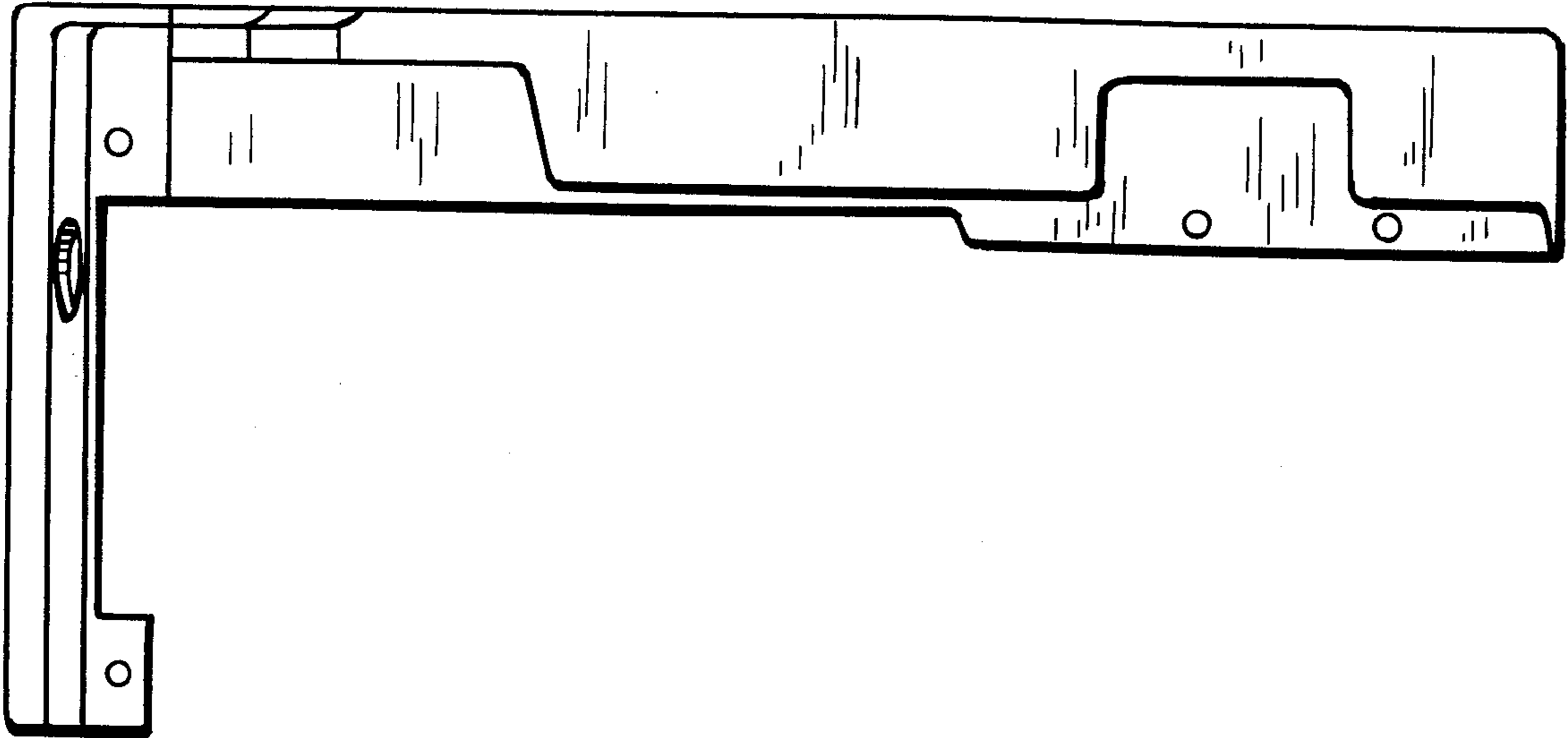
*Fig. 3.*



*Fig. 4.*



*Fig. 5.*



*Fig. 6.*

