

[54] ANTENNA MOUNTING BRACKET

[76] Inventor: Alfred P. Parduhn, 14501 Wilson Road, Edmond, Okla. 73034

[**] Term: 14 Years

[21] Appl. No.: 691,504

[22] Filed: June 1, 1976

[51] Int. Cl.² D14-03; D14-99

[52] U.S. Cl. 14/91

[58] Field of Search 343/715; 248/534, 336, 248/539; D14/91

[56] References Cited

U.S. PATENT DOCUMENTS

D. 158,122	4/1950	Pennington	D14/91
3,555,551	1/1971	Gronlund	248/539 X
3,858,924	1/1975	Bores	248/539 X
3,984,076	10/1976	Ordt	248/539

OTHER PUBLICATIONS

Radio Shack Electronics Cat. No. 263, © 1975, p. 152, item "N", Mirror Mount Bracket.

Primary Examiner—Bernard Ansher
Attorney, Agent, or Firm—William R. Laney

[57] CLAIM

The ornamental design for an antenna mounting bracket, substantially as shown and described.

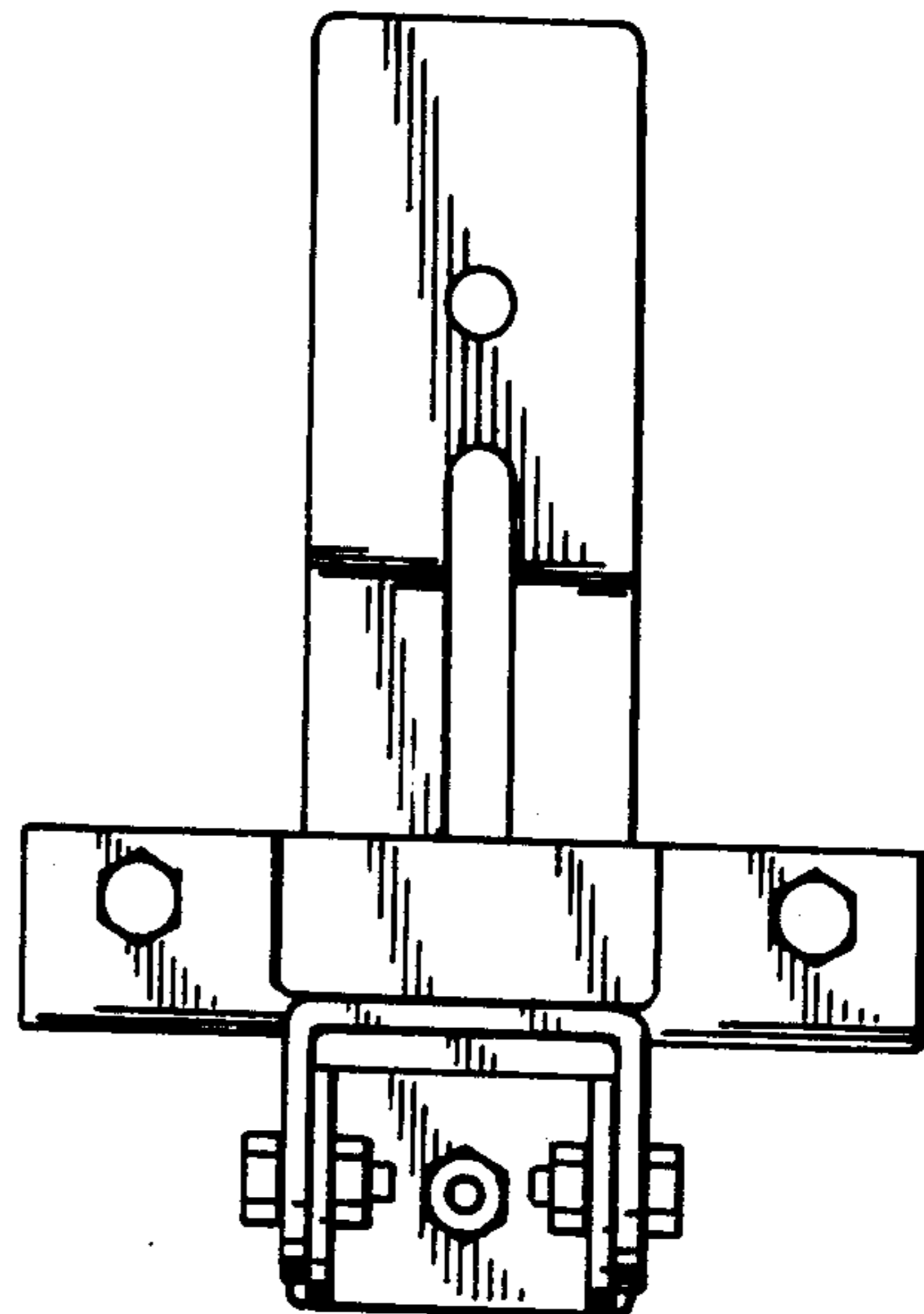
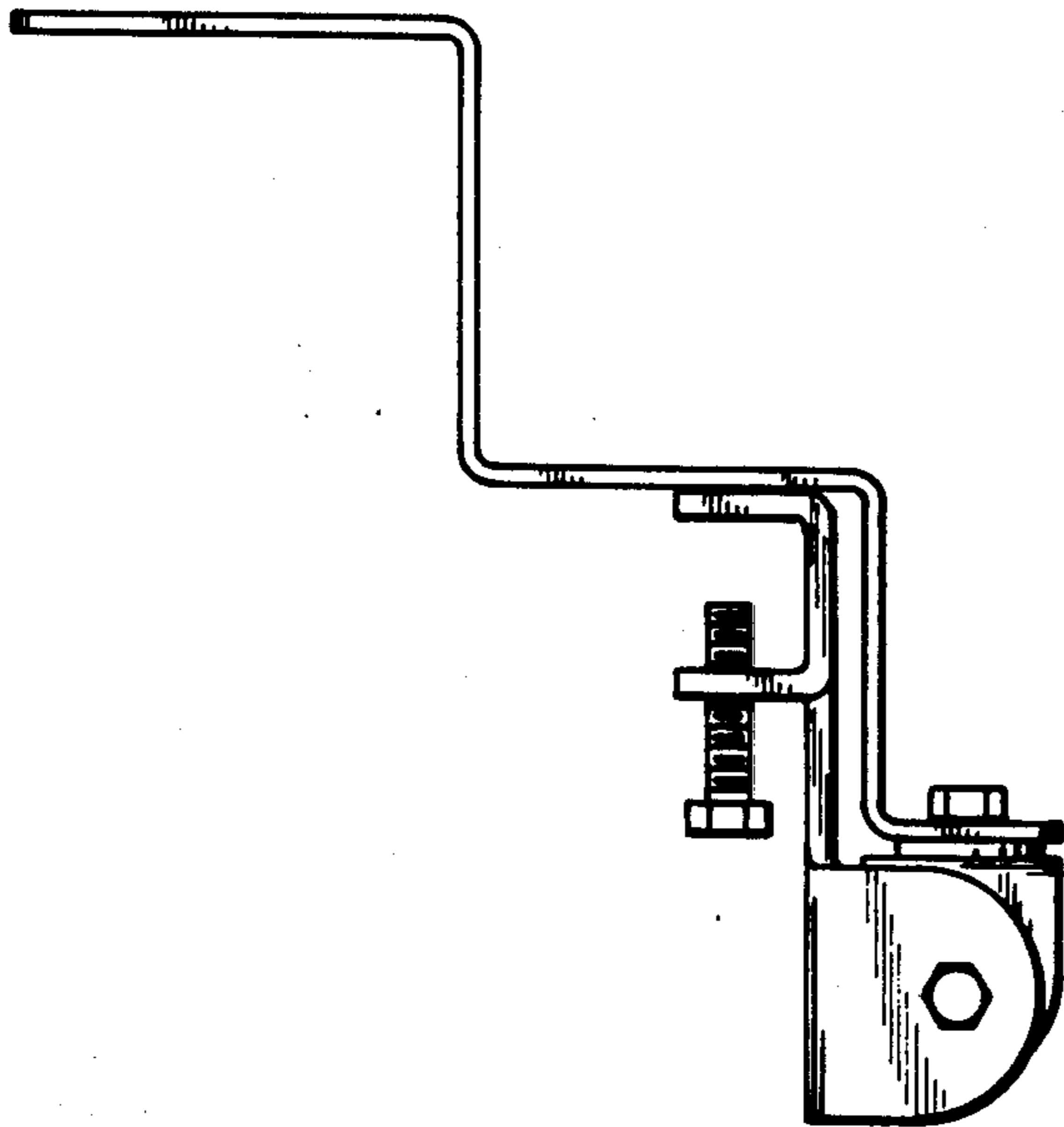
DESCRIPTION

FIG. 1 is a side elevation view of an antenna mounting bracket including my new design.

FIG. 2 is a view in elevation of the antenna mounting bracket illustrated in FIG. 1 as it appears when viewed from a side displaced 90° from the side shown in FIG. 1. FIG. 3 is an elevation view of the opposite side of the antenna mounting bracket from that which is shown in FIG. 2.

FIG. 4 is a top plan view of the antenna mounting bracket shown in FIG. 1.

FIG. 5 is a bottom plan view of the antenna mounting bracket shown in FIG. 4.



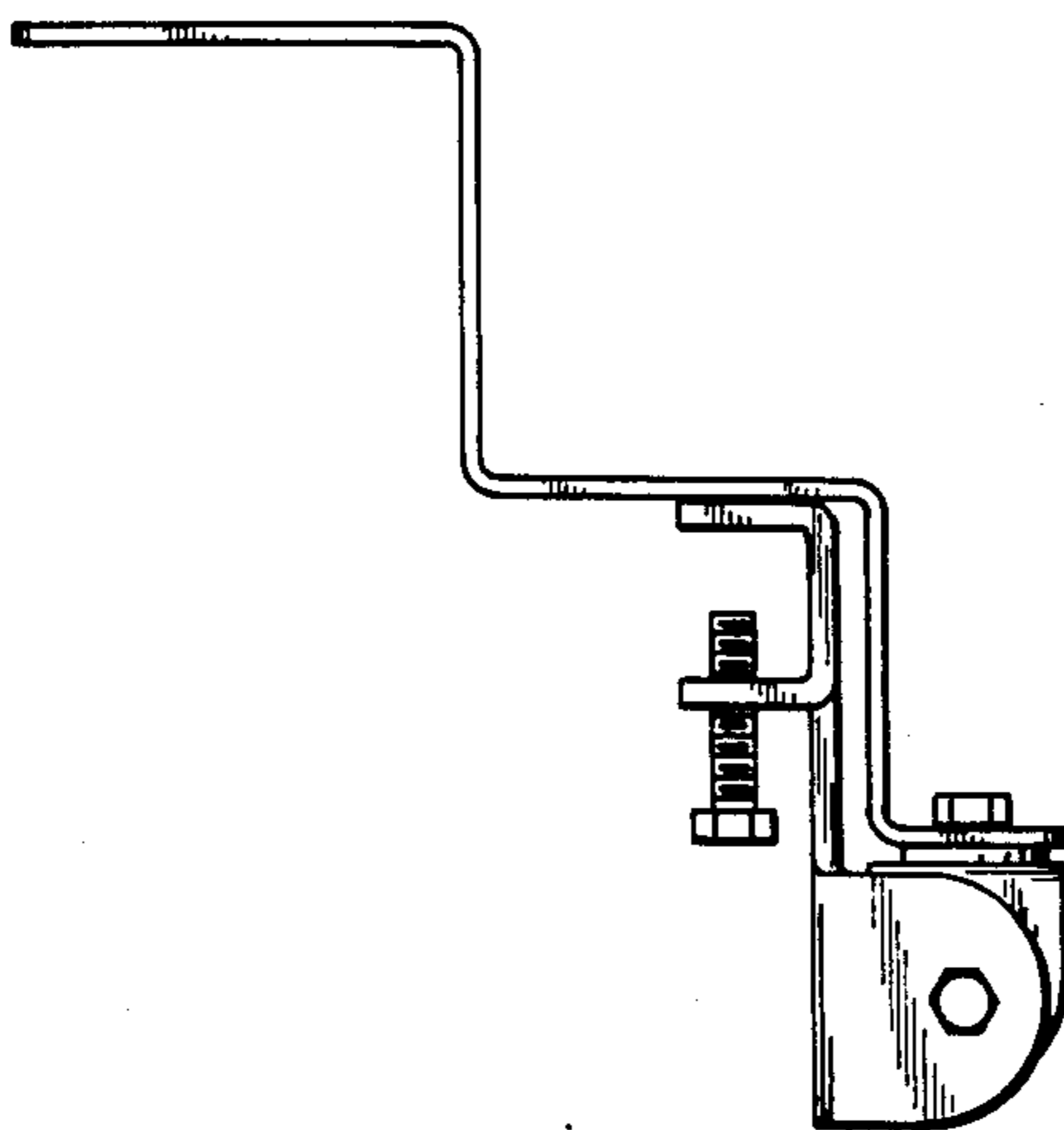


FIG. 1

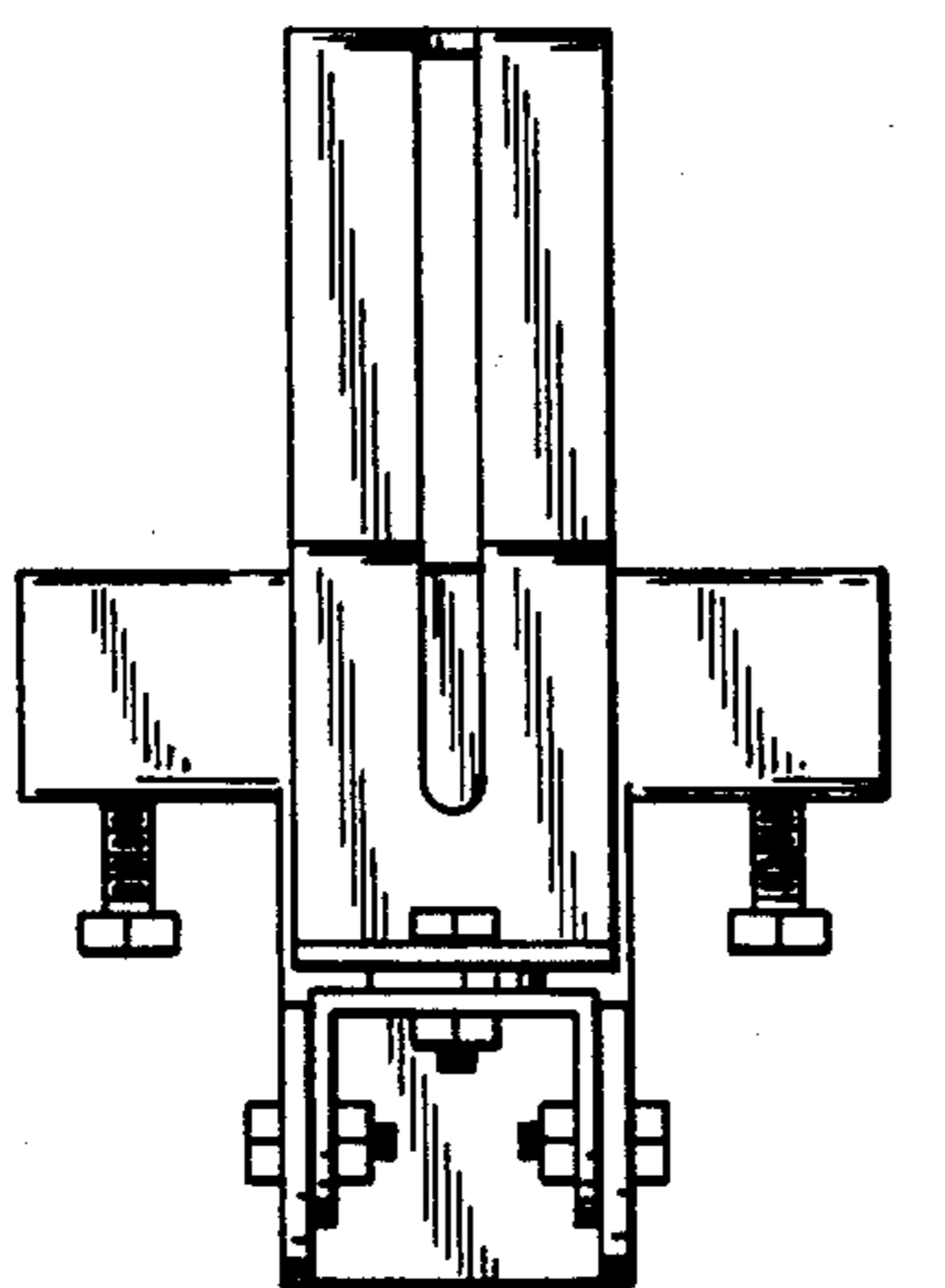


FIG. 2

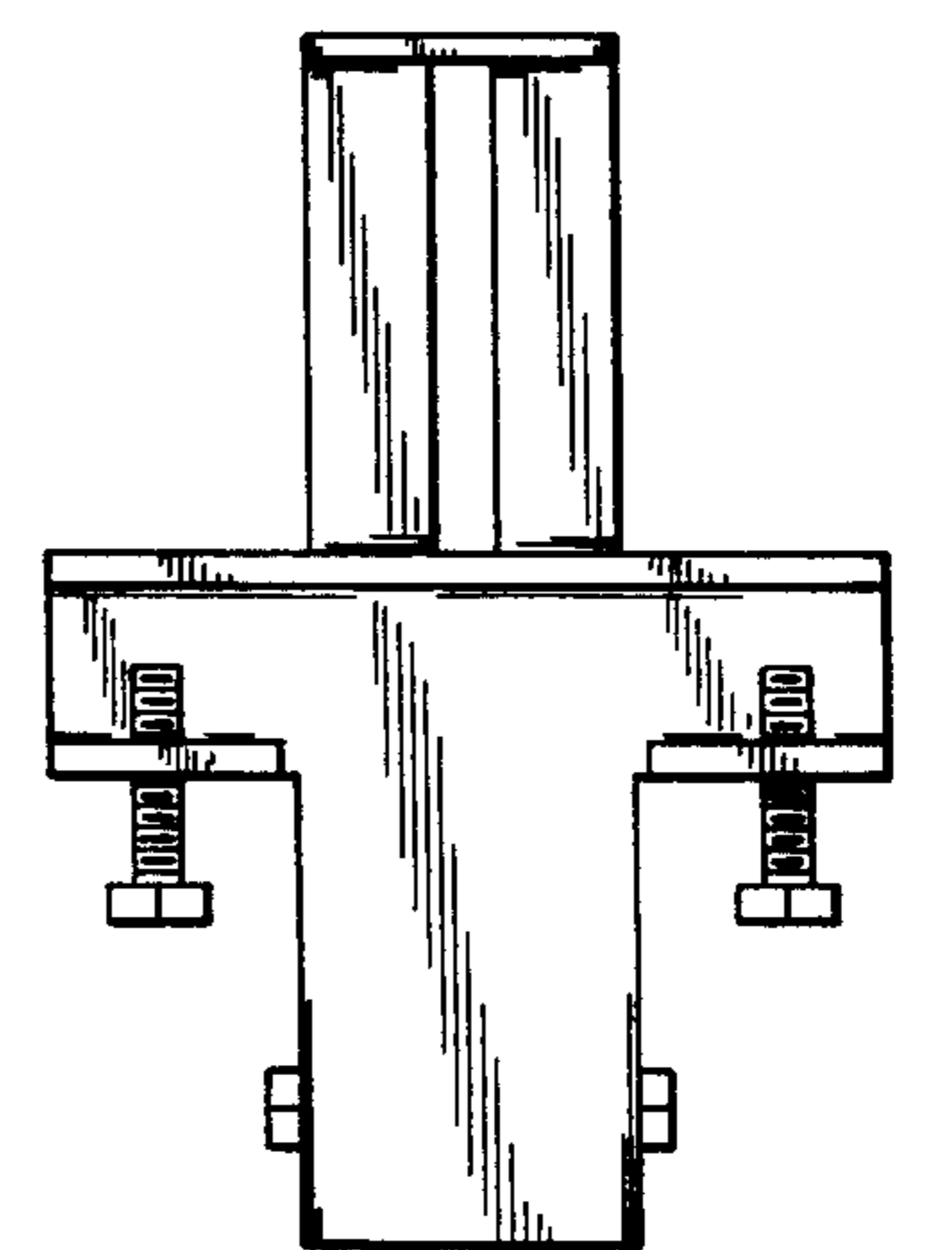


FIG. 3

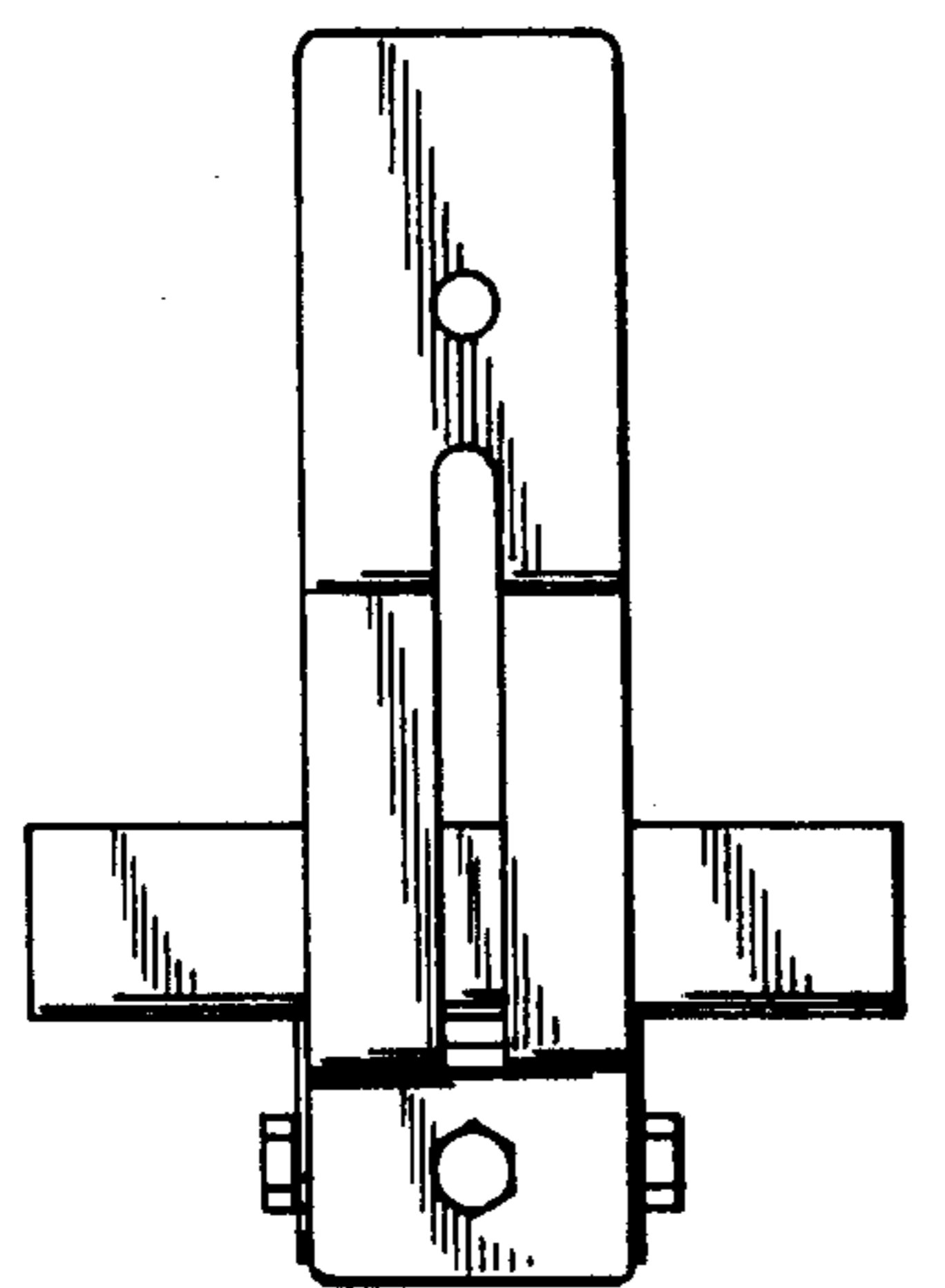


FIG. 4

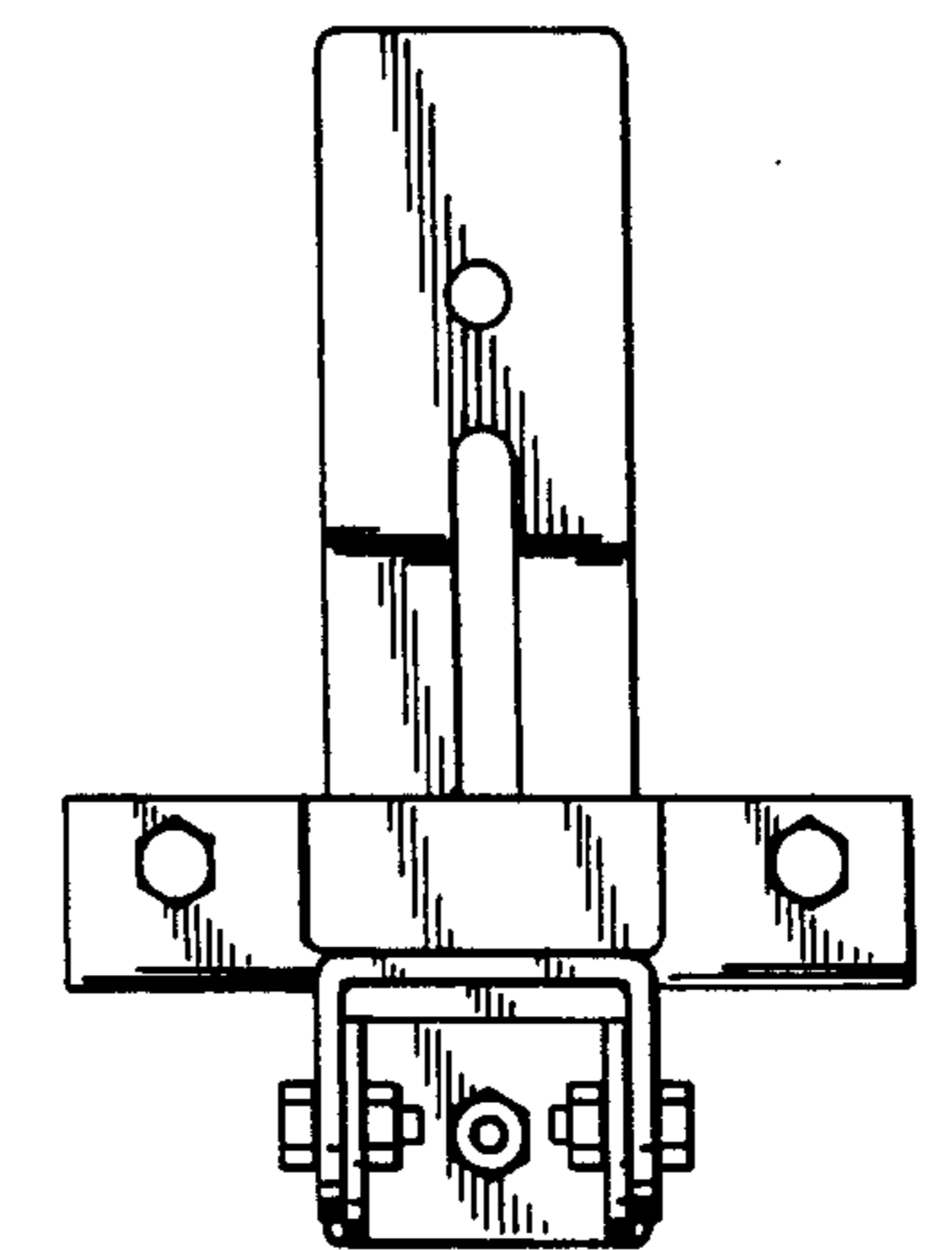


FIG. 5