

[54] **HAND-HELD TOOL FOR REMOVING INSULATION FROM ELECTRICAL CONDUCTORS**

[75] Inventor: **Walter N. Christiansen, Spring Lake, Mich.**

[73] Assignee: **Gardner-Denver Company, Dallas, Tex.**

[\*\*] Term: **14 Years**

[21] Appl. No.: **726,855**

[22] Filed: **Sept. 27, 1976**

[51] Int. Cl. .... **D8-03**

[52] U.S. Cl. .... **D8/98**

[58] Field of Search ..... **D8/98, 14; 81/9.5 R, 81/9.5 A, 9.5 C**

[56] **References Cited**  
**U.S. PATENT DOCUMENTS**

D. 237,453	11/1975	Perrino .....	D8/98
3,002,407	10/1961	Johnson .....	81/9.5 R
3,532,011	10/1970	Bradley .....	81/9.5 C

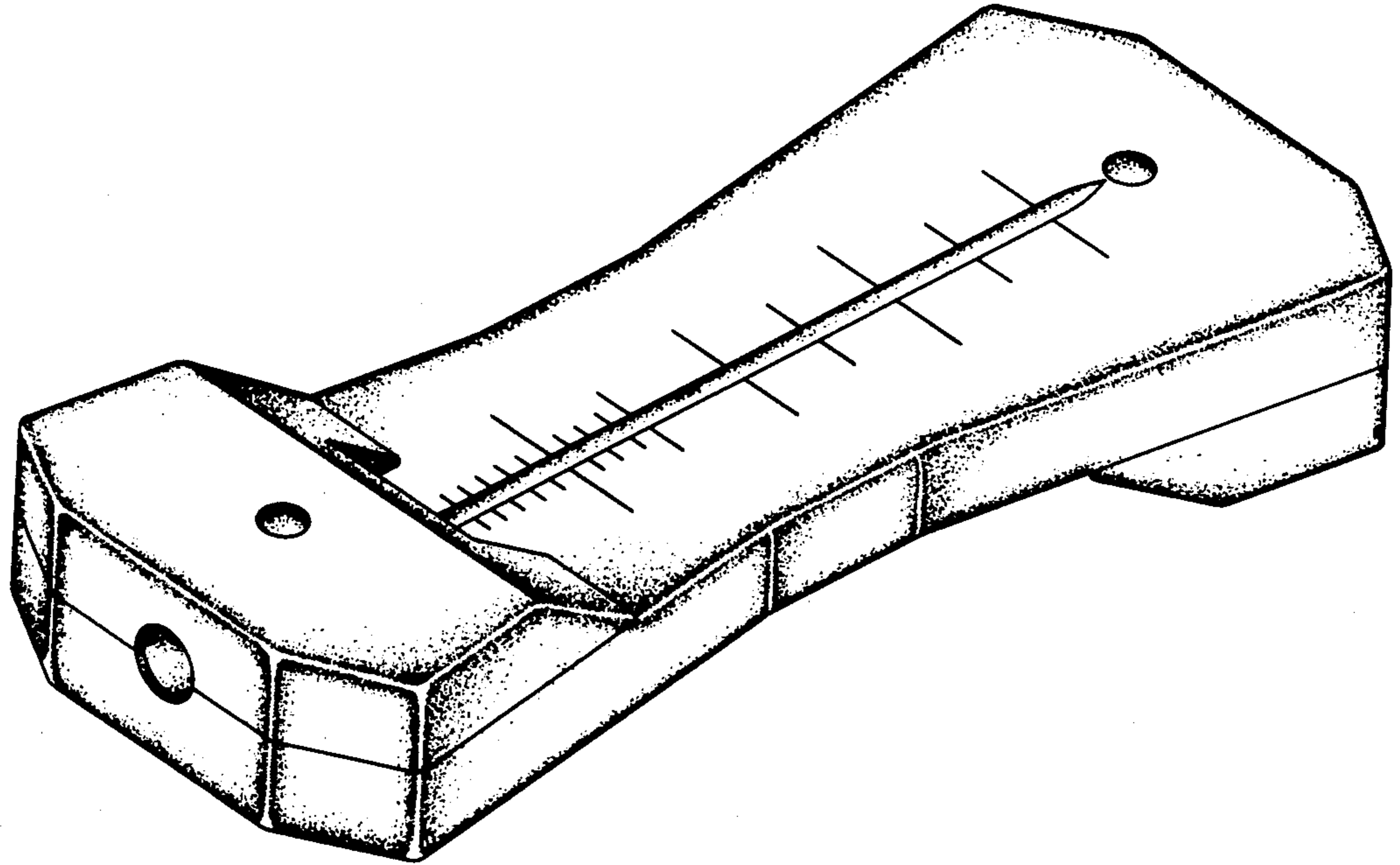
*Primary Examiner*—Alan P. Douglas  
*Attorney, Agent, or Firm*—Michael E. Martin

[57] **CLAIM**

The ornamental design for a hand-held tool for removing insulation from electrical conductors, as shown and described.

**DESCRIPTION**

FIG. 1 is a top plan view of a hand-held tool for removing insulation from electrical conductors showing my new design;  
FIG. 2 is a side elevation view;  
FIG. 3 is an end view;  
FIG. 4 is an opposite end view; and  
FIG. 5 is a perspective view of the bottom of FIG. 1 turned end-for-end.



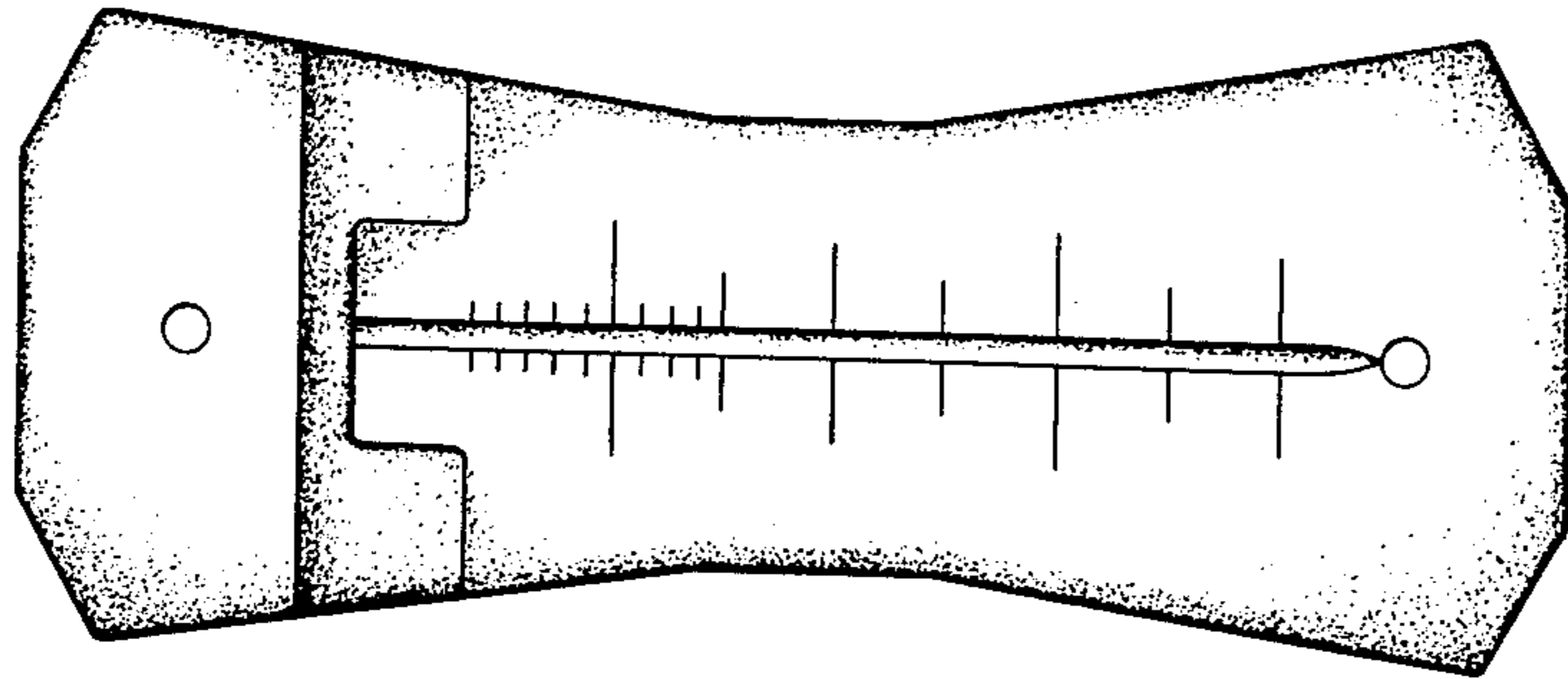


FIG 1

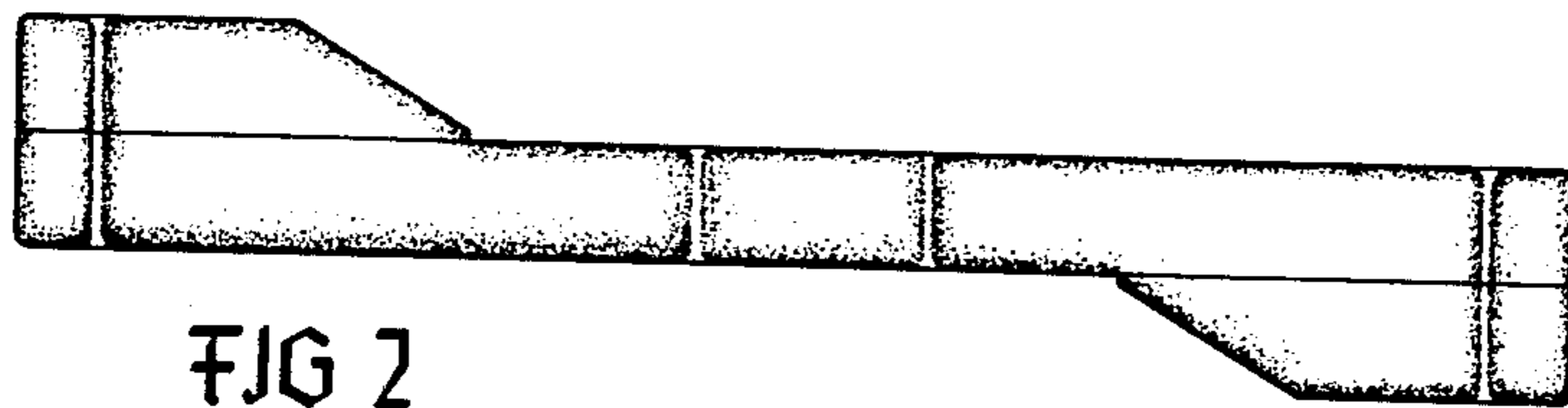


FIG 2

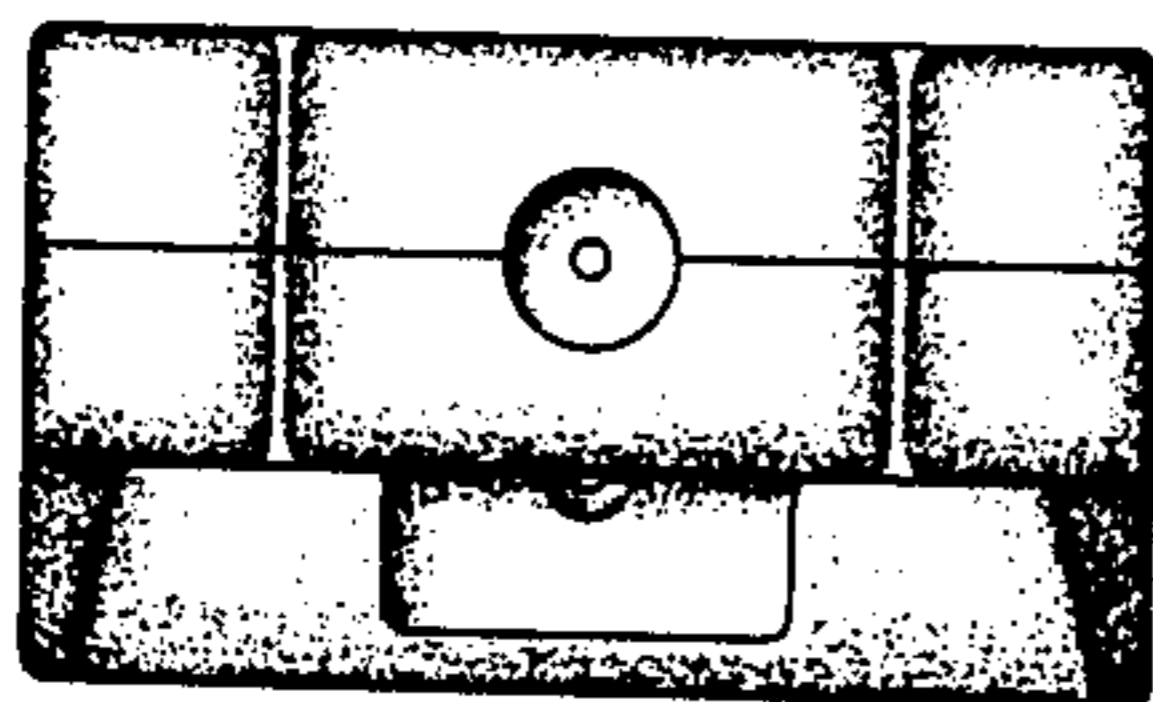


FIG 3

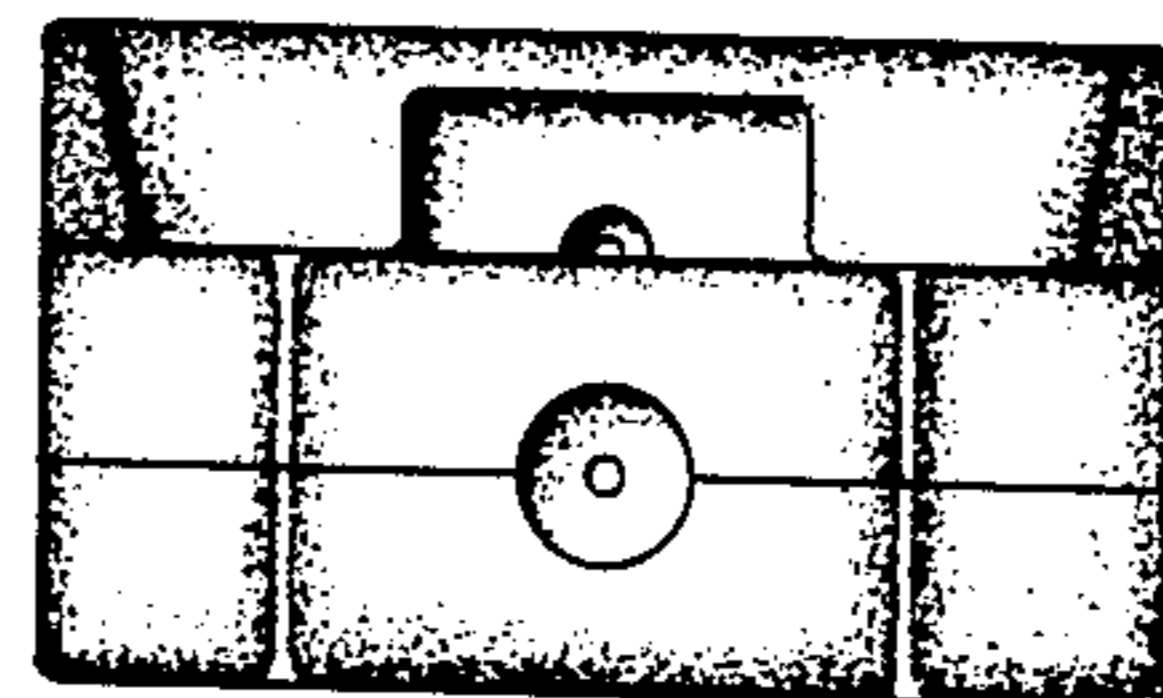


FIG 4

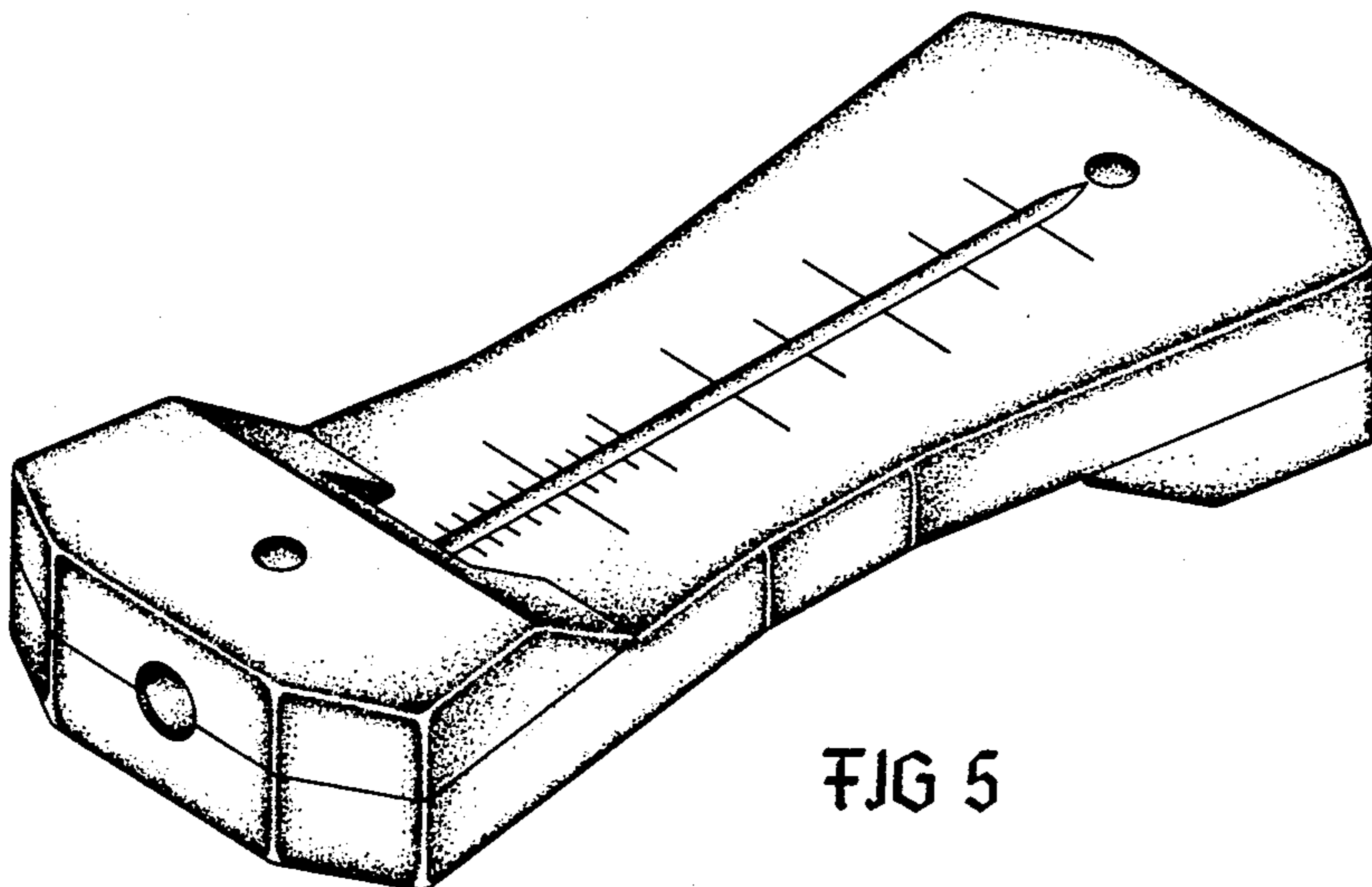


FIG 5