

[54] CEMENT FINISHING TOOL

[76] Inventor: Albert G. Wesson, 2547 Tracy, Kansas City, Mo. 64108

[**] Term: 14 Years

[21] Appl. No.: 717,565

[22] Filed: Aug. 26, 1976

[51] Int. Cl. D8-05

[52] U.S. Cl. D8/45

[58] Field of Search D8/45; 15/235.4, 235.3

[56] References Cited

U.S. PATENT DOCUMENTS

D. 157,904 3/1950 Reusch D8/45
3,069,713 12/1962 Obraske 15/235.4 X

OTHER PUBLICATIONS

Pietilz, Application Serial No. 756,771, filed Sept. 3, 1968, laid open to public inspection on Sept. 30, 1969.

Primary Examiner—Alan P. Douglas
Attorney, Agent, or Firm—Claude W. Lowe

[57] CLAIM

The ornamental design for a cement finishing tool, as shown and described.

DESCRIPTION

FIG. 1 is a perspective view of a cement finishing tool showing my new design;

FIG. 2 is a side elevational view thereof taken from one side, the opposite side appearing as substantially a mirror image;

FIG. 3 is a front elevational view thereof;

FIG. 4 is a rear elevational view thereof;

FIG. 5 is a top plan view thereof; and

FIG. 6 is a bottom plan view thereof.

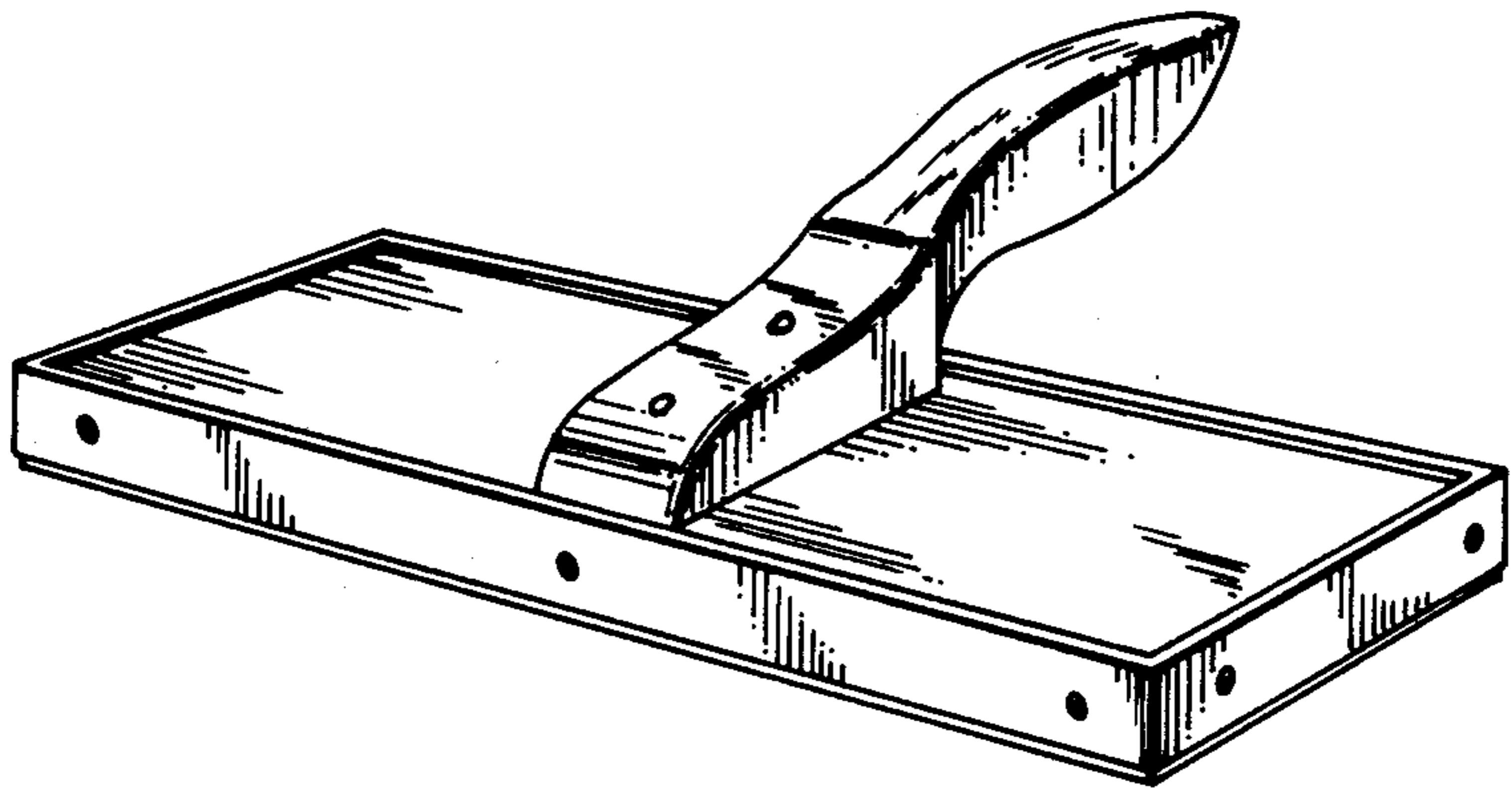


Fig. 1.

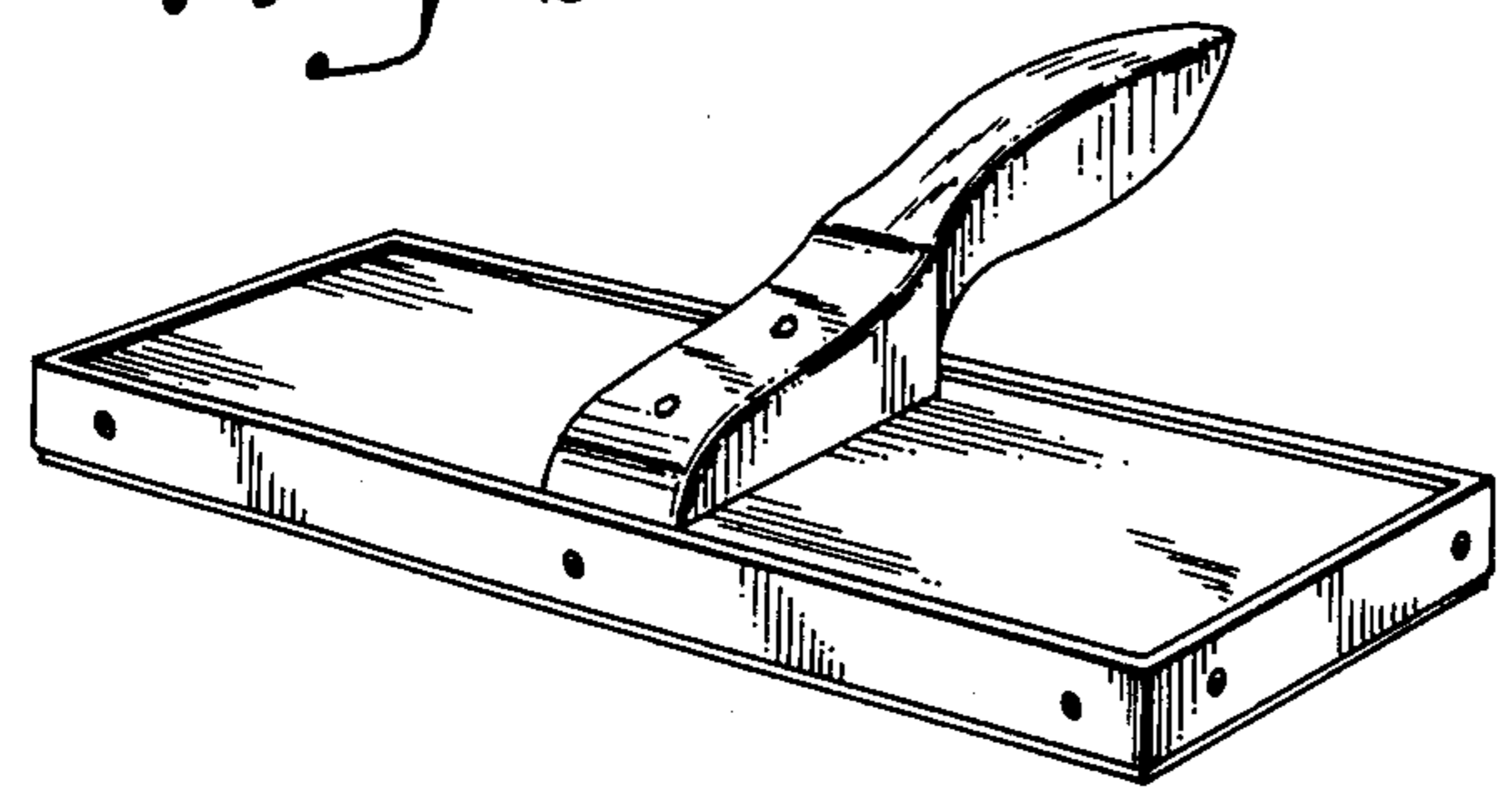


Fig. 2.

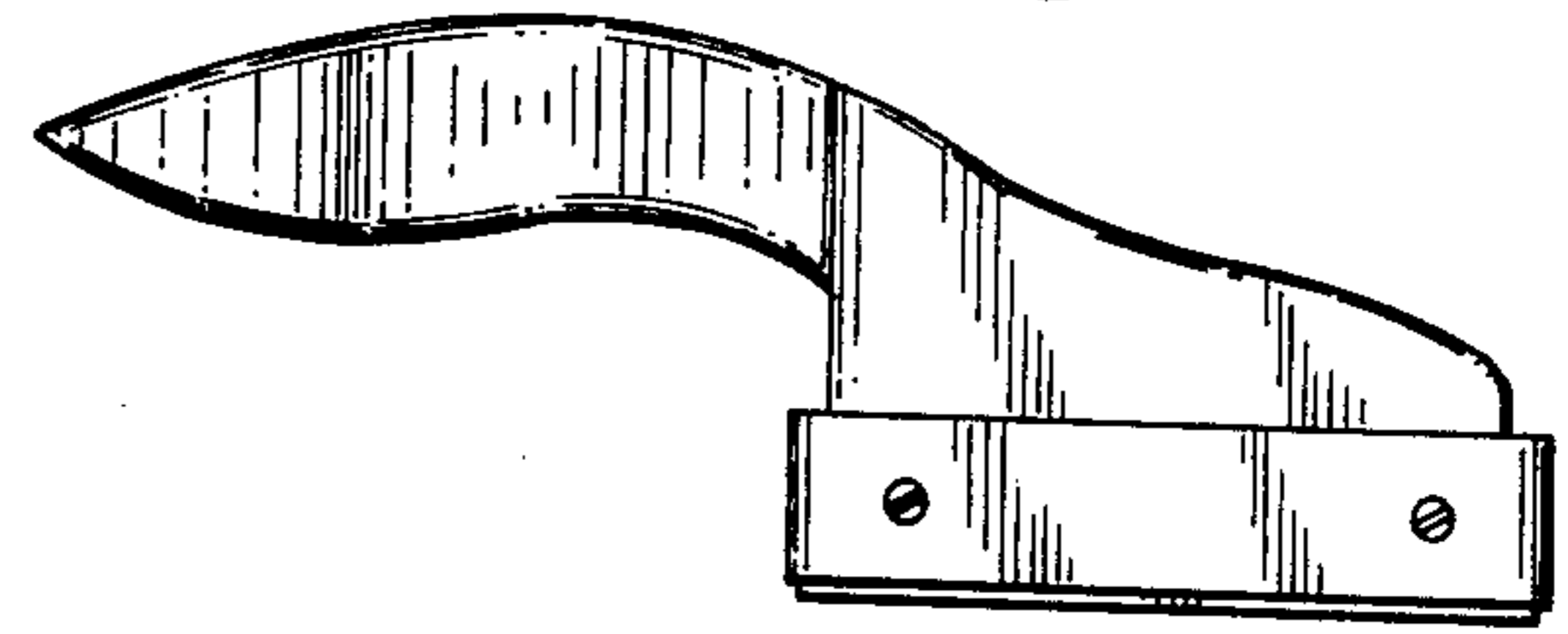


Fig. 3.

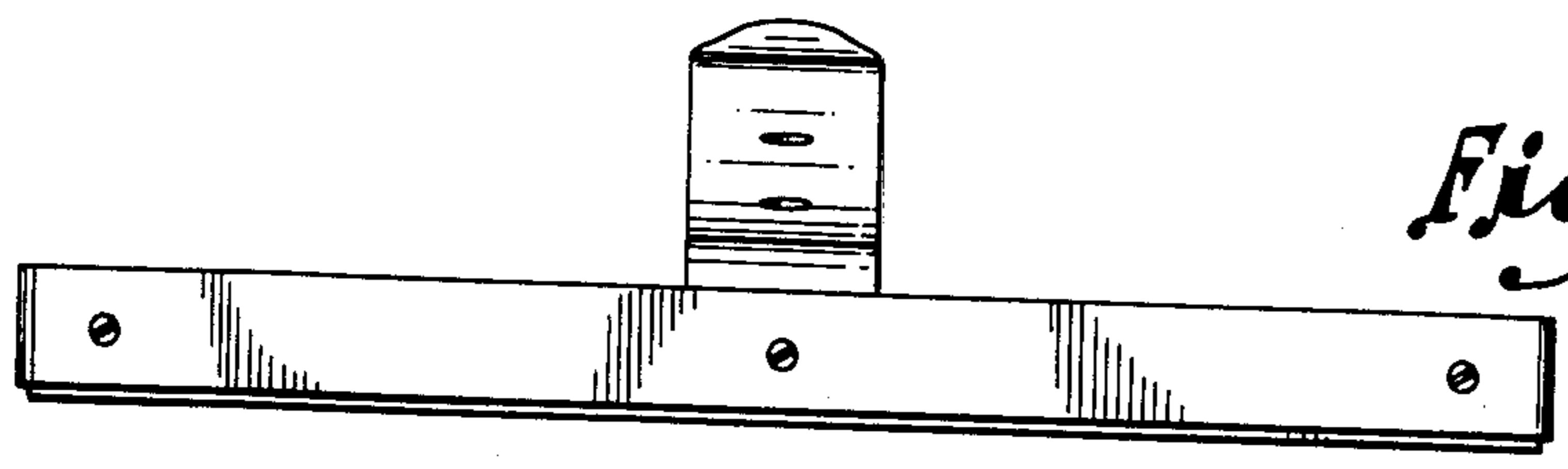


Fig. 4.

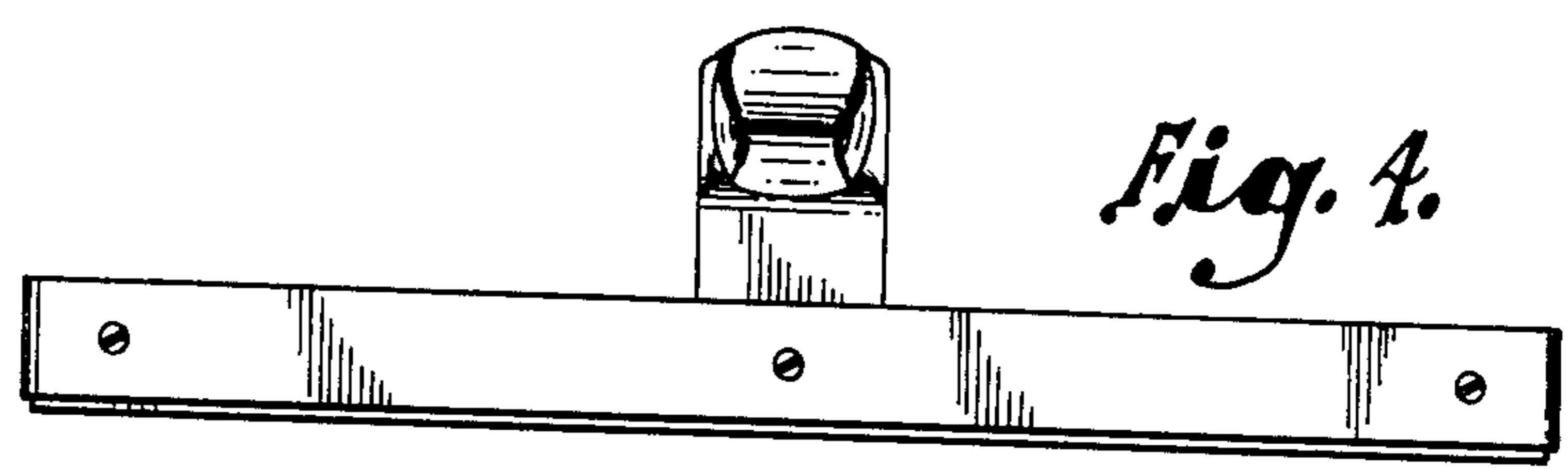


Fig. 5.

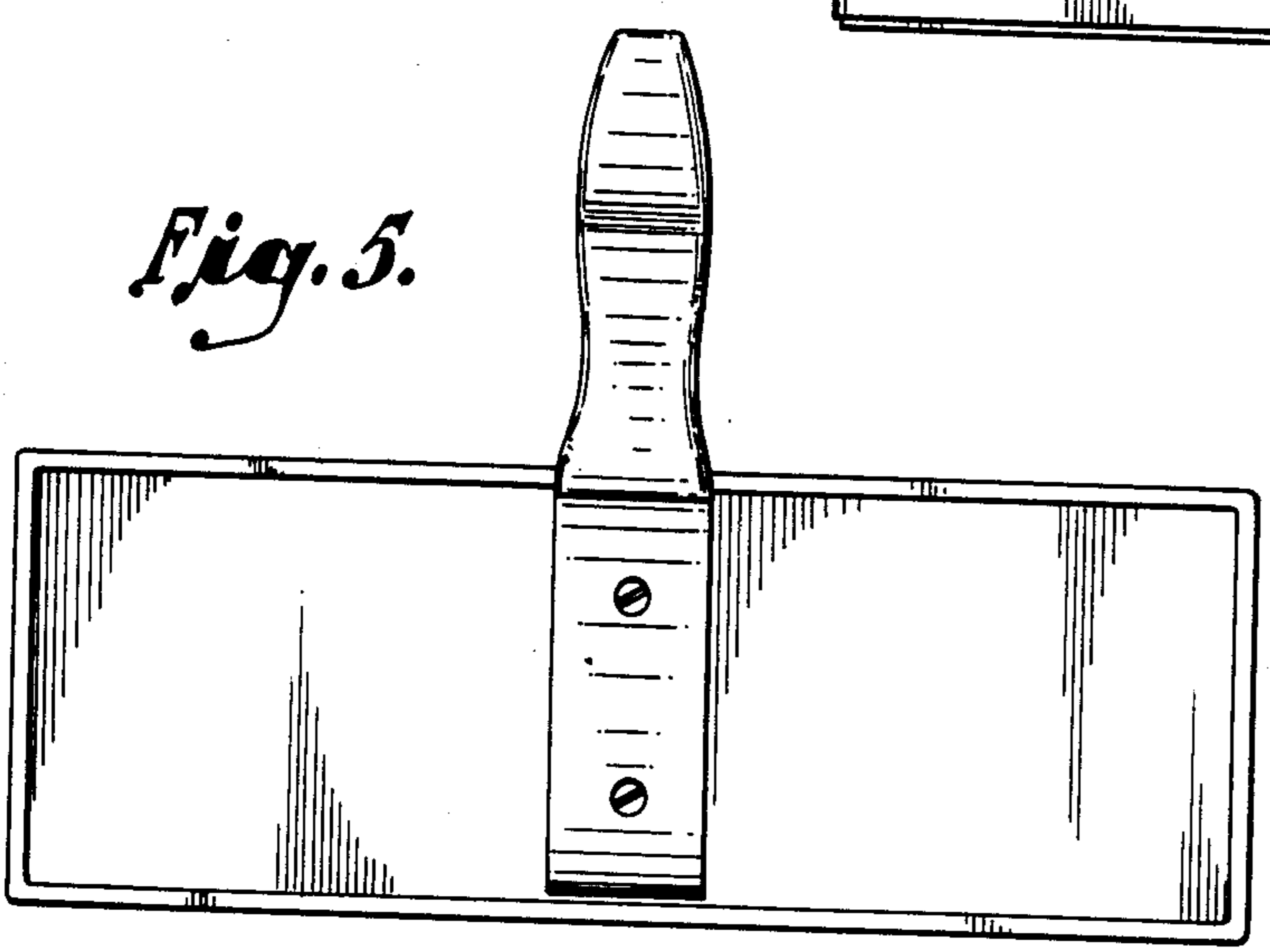


Fig. 6.

