

[54] **CLOSED AND DIVIDED STORAGE BOX OR THE LIKE**

[76] Inventors: **Roger P. Beauchamp**, 7 Stewart Court, Harrisville, R.I. 02830; **Robert F. Bateman**, 35 Fanning Lane, Greenville, R.I. 02828

[**] Term: **14 Years**

[21] Appl. No.: **652,456**

[22] Filed: **Jan. 26, 1976**

[51] Int. Cl. **D7-01; D7-07**

[52] U.S. Cl. **D7/76**

[58] Field of Search **150/.5; D7/76, 16, 129, D7/18, 1, 40, 96; D9/184, 219, 187; 220/22**

[56] **References Cited**

U.S. PATENT DOCUMENTS

D. 214,332	6/1969	Swett	D7/129
D. 224,554	8/1972	Swett	D7/16
D. 232,302	8/1974	Lazure	D9/219
2,663,449	12/1953	Smart	D9/184 X
3,391,816	7/1968	Swett	220/22
3,424,342	1/1969	Scopp et al.	D9/219 X

FOREIGN PATENT DOCUMENTS

959,458	12/1974	Canada	220/22
1,557,172	1/1969	France	220/22

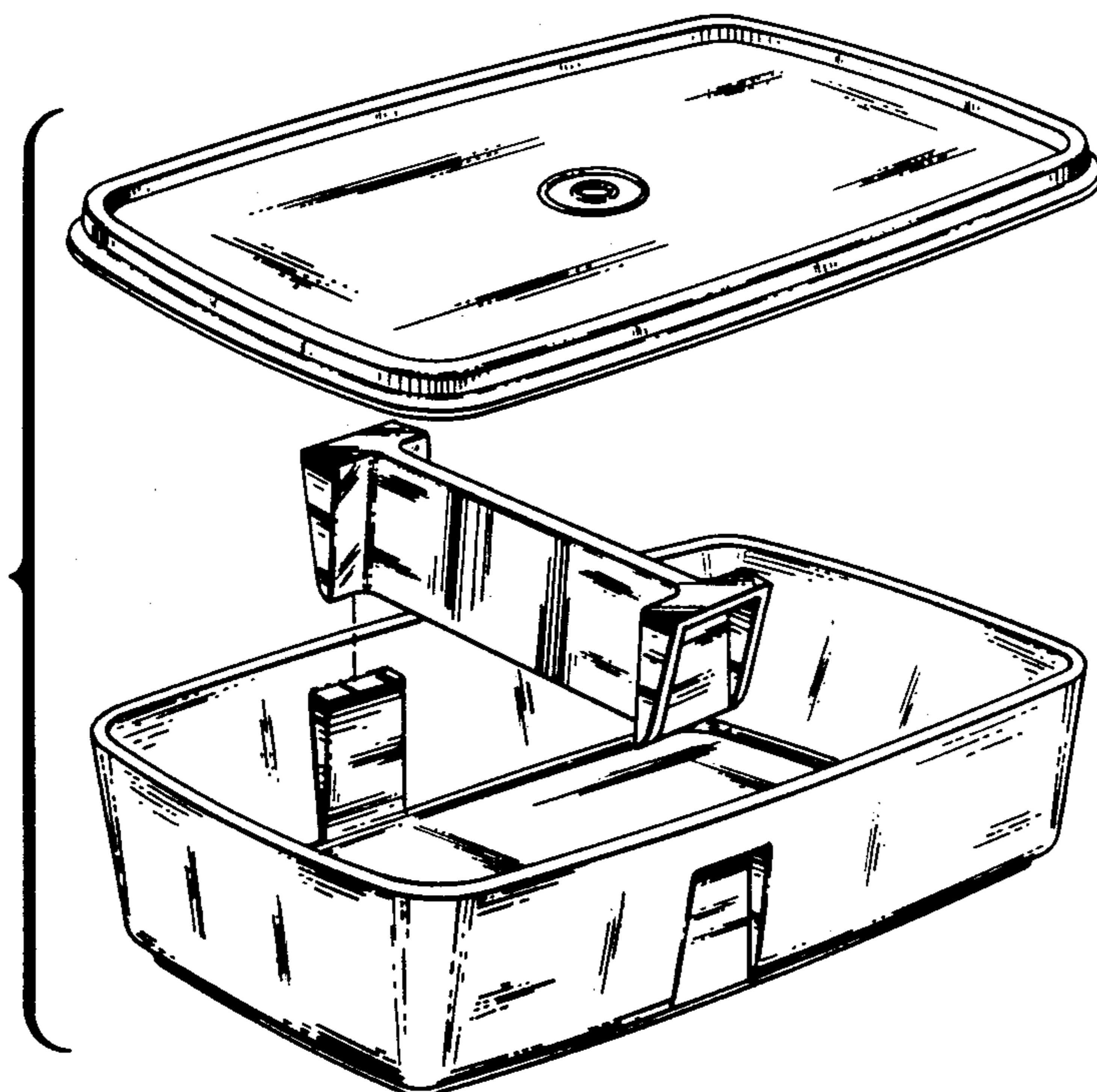
Primary Examiner—Winifred E. Herrmann
Attorney, Agent, or Firm—Leigh B. Taylor

[57] **CLAIM**

The ornamental design for a closed and divided storage box or the like, substantially as shown.

DESCRIPTION

FIG. 1 is a top perspective view of a closed and divided storage box or the like showing our new design; FIG. 2 is an exploded top perspective view thereof; FIG. 3 is a partial cross-sectional view thereof taken along line 3—3 of FIG. 1; FIG. 4 is a cross-sectional view thereof taken along line 4—4 of FIG. 1; FIG. 5 is a side elevational view of the storage box per se; FIG. 6 is an end elevational view of the storage box per se; FIG. 7 is a top plan view of the storage box per se; FIG. 8 is a bottom plan view of the storage box per se; FIG. 9 is a side elevational view of the closure per se; FIG. 10 is an end elevational view of the closure per se; FIG. 11 is a top plan view of the closure per se; FIG. 12 is a bottom plan view of the closure per se; FIG. 13 is an end elevational view of the divider per se; FIG. 14 is a top plan view of the divider per se; FIG. 15 is a side elevational view of the divider per se; and FIG. 16 is a bottom plan view of the divider per se.



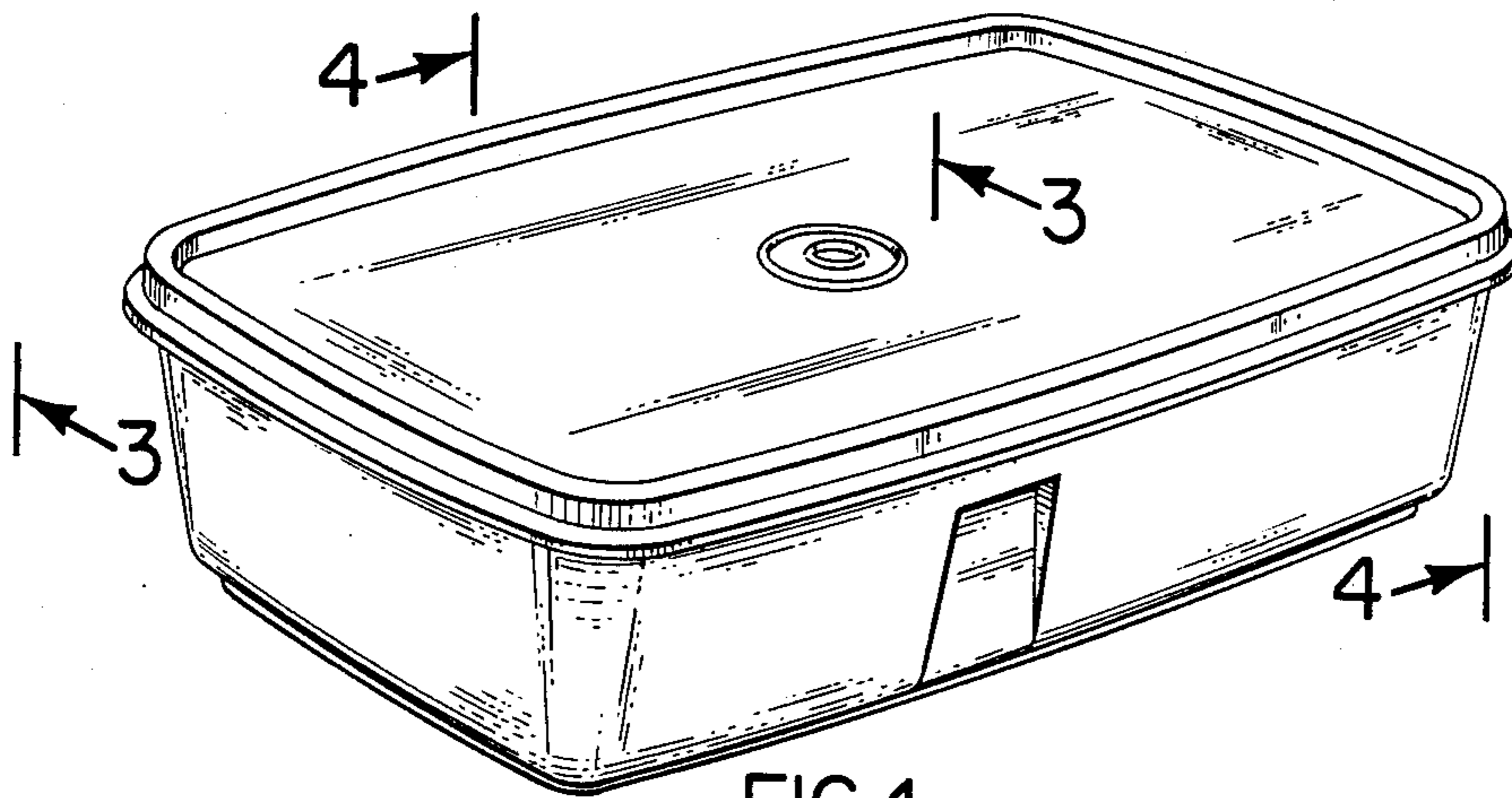


FIG. 1

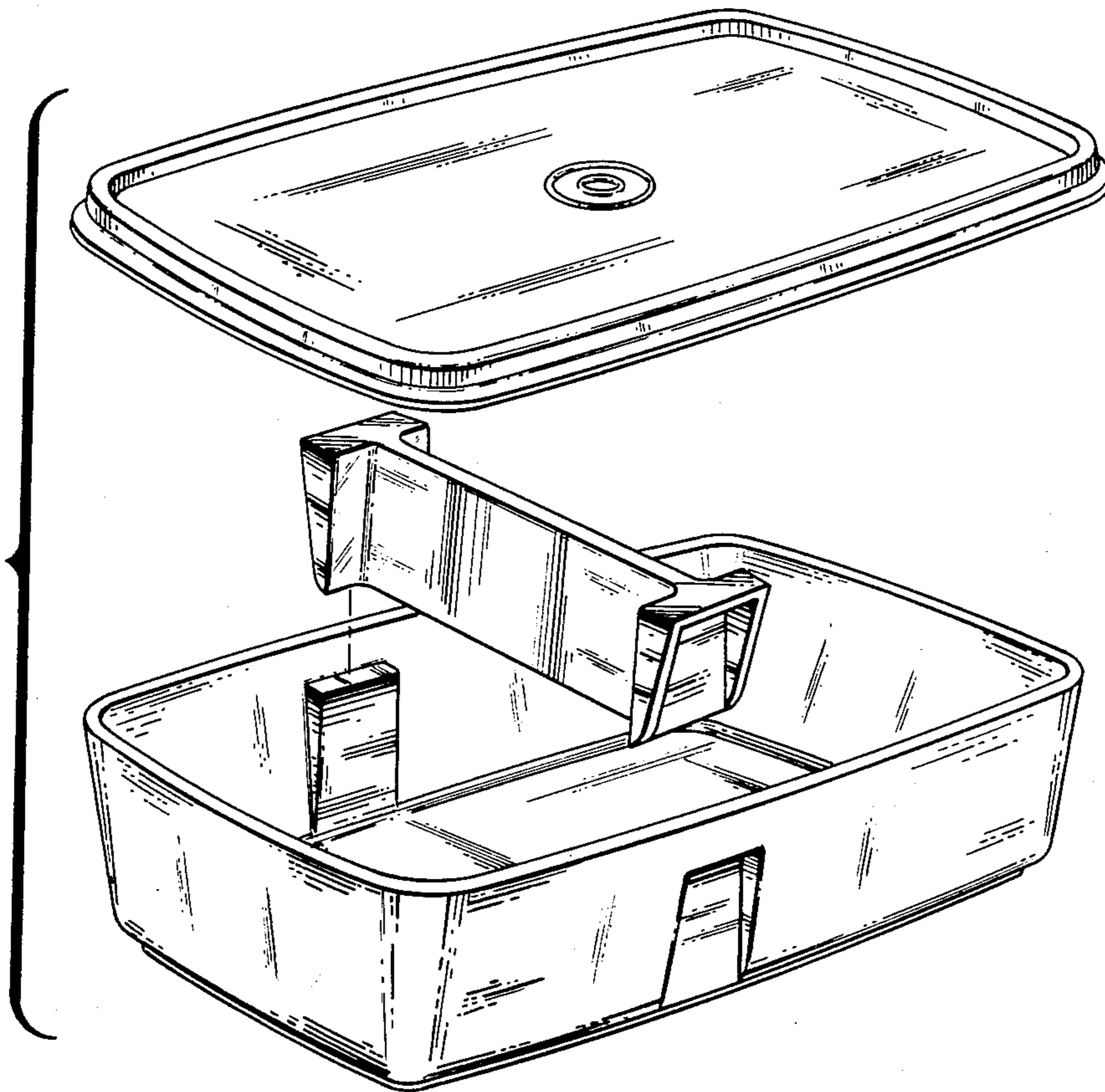


FIG. 2

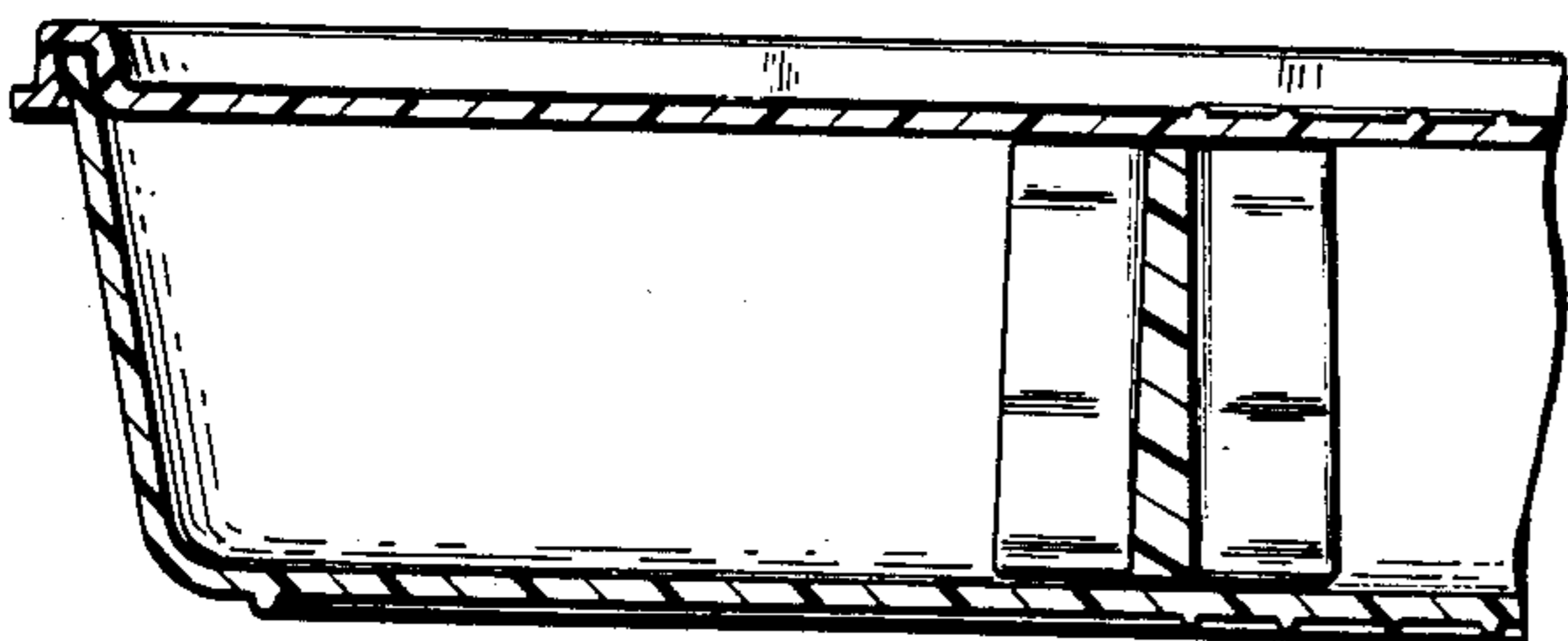


FIG. 3

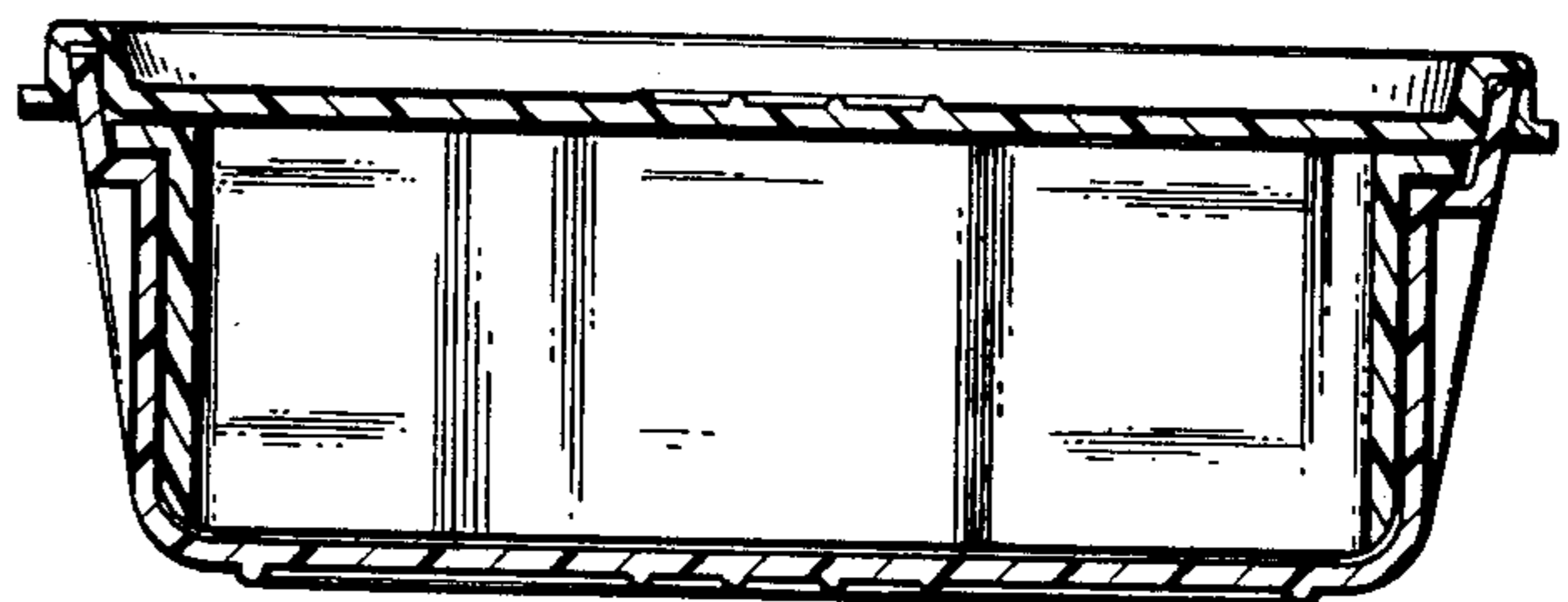


FIG. 4

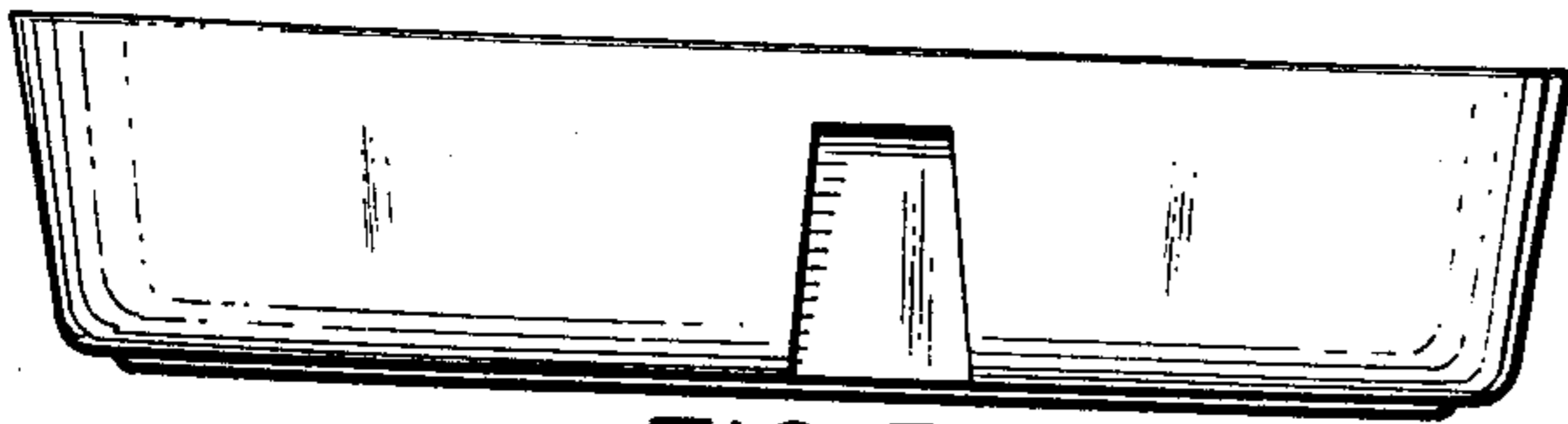


FIG. 5

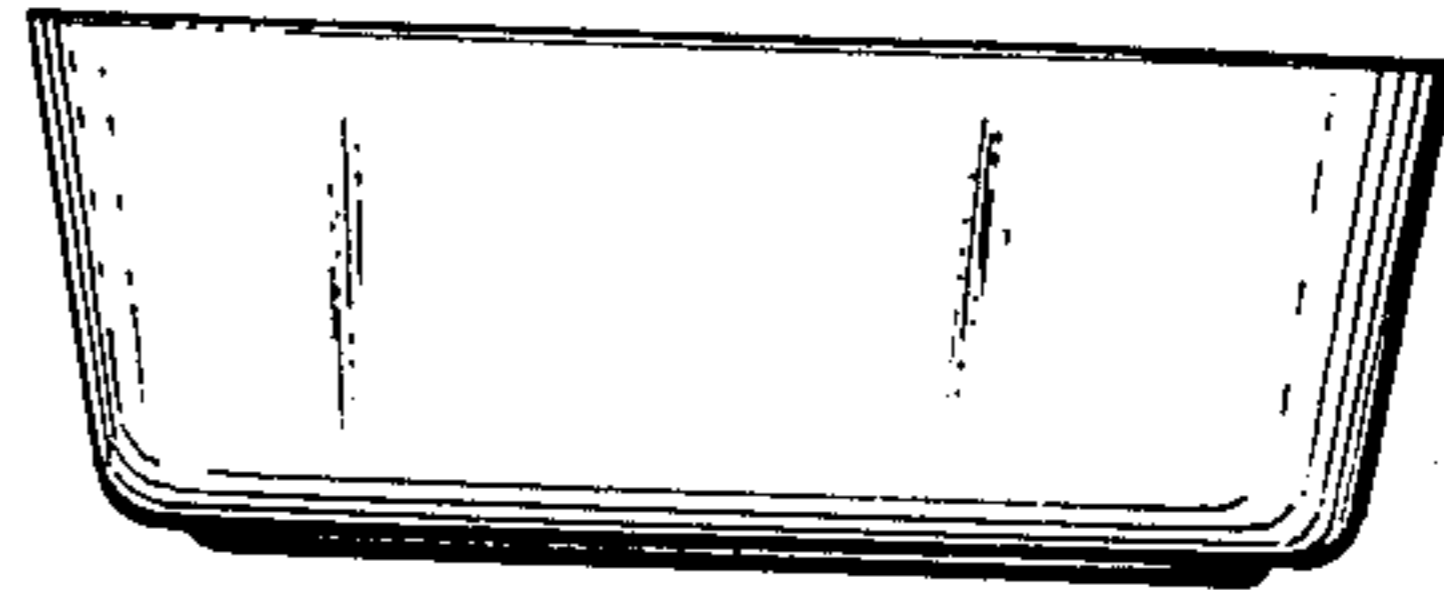


FIG. 6

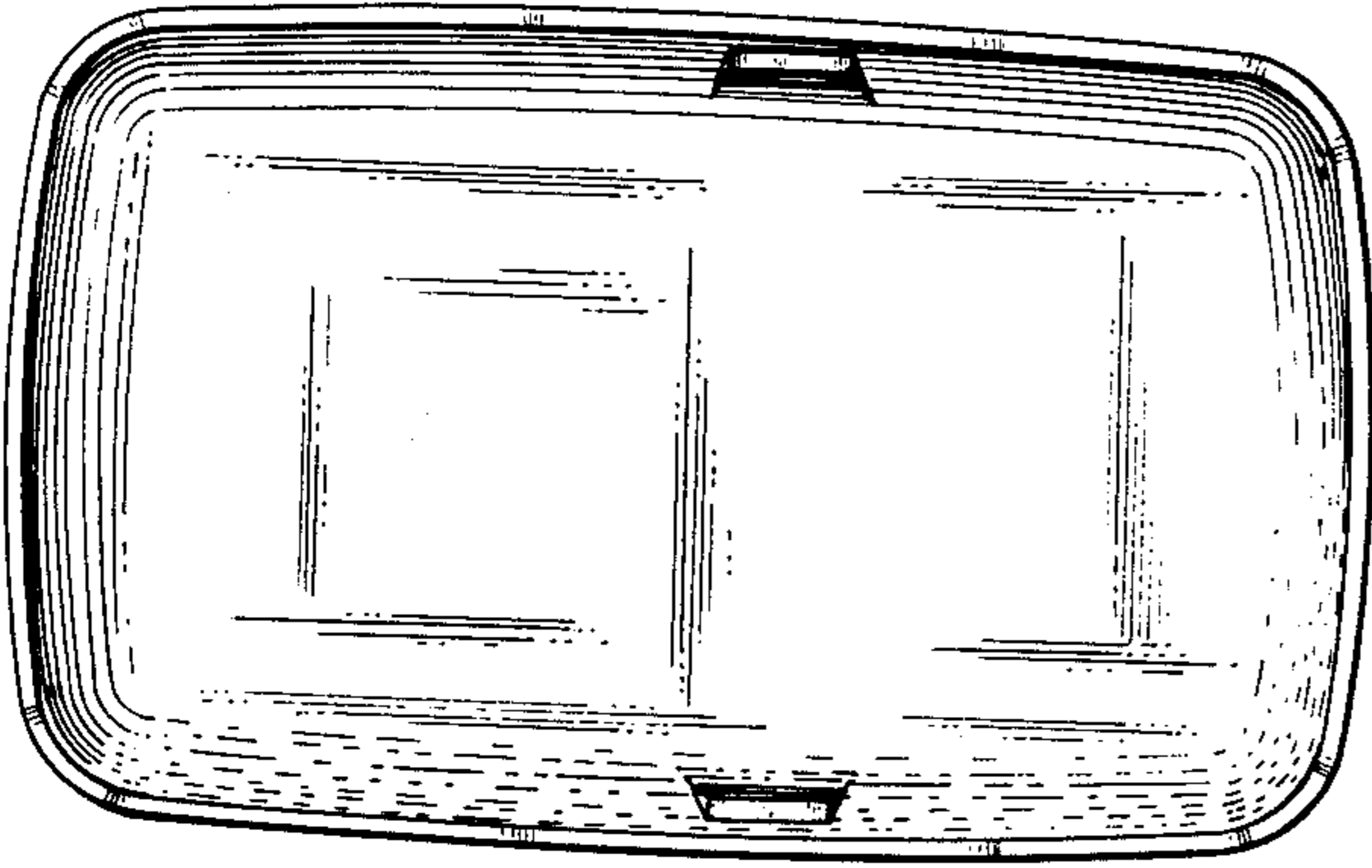


FIG. 7

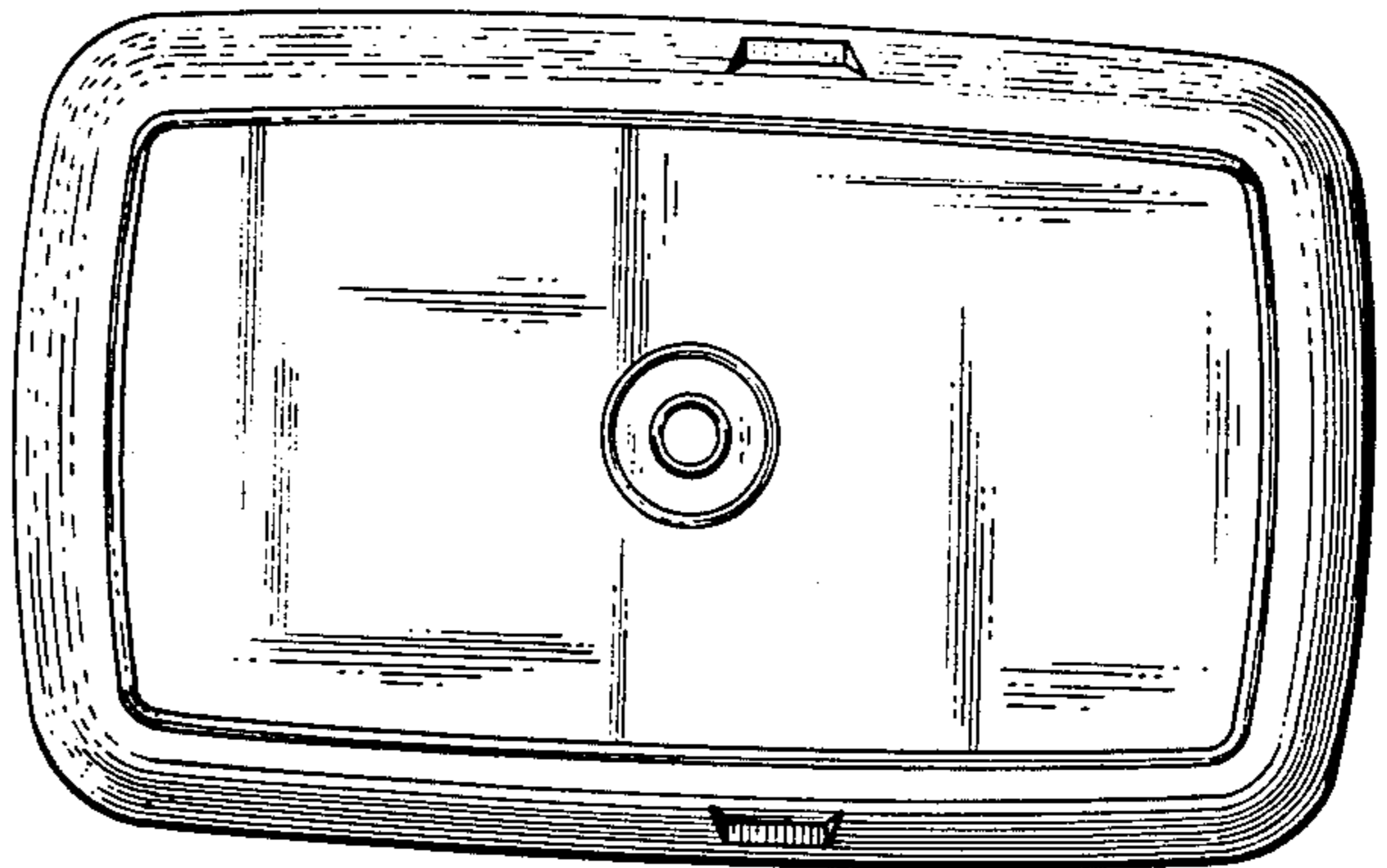


FIG. 8



FIG. 9

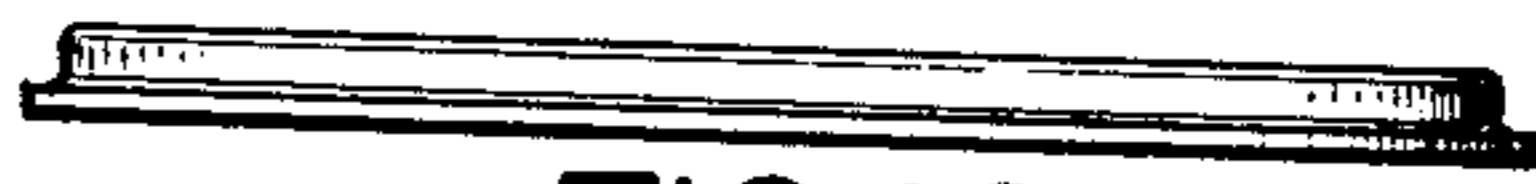


FIG. 10

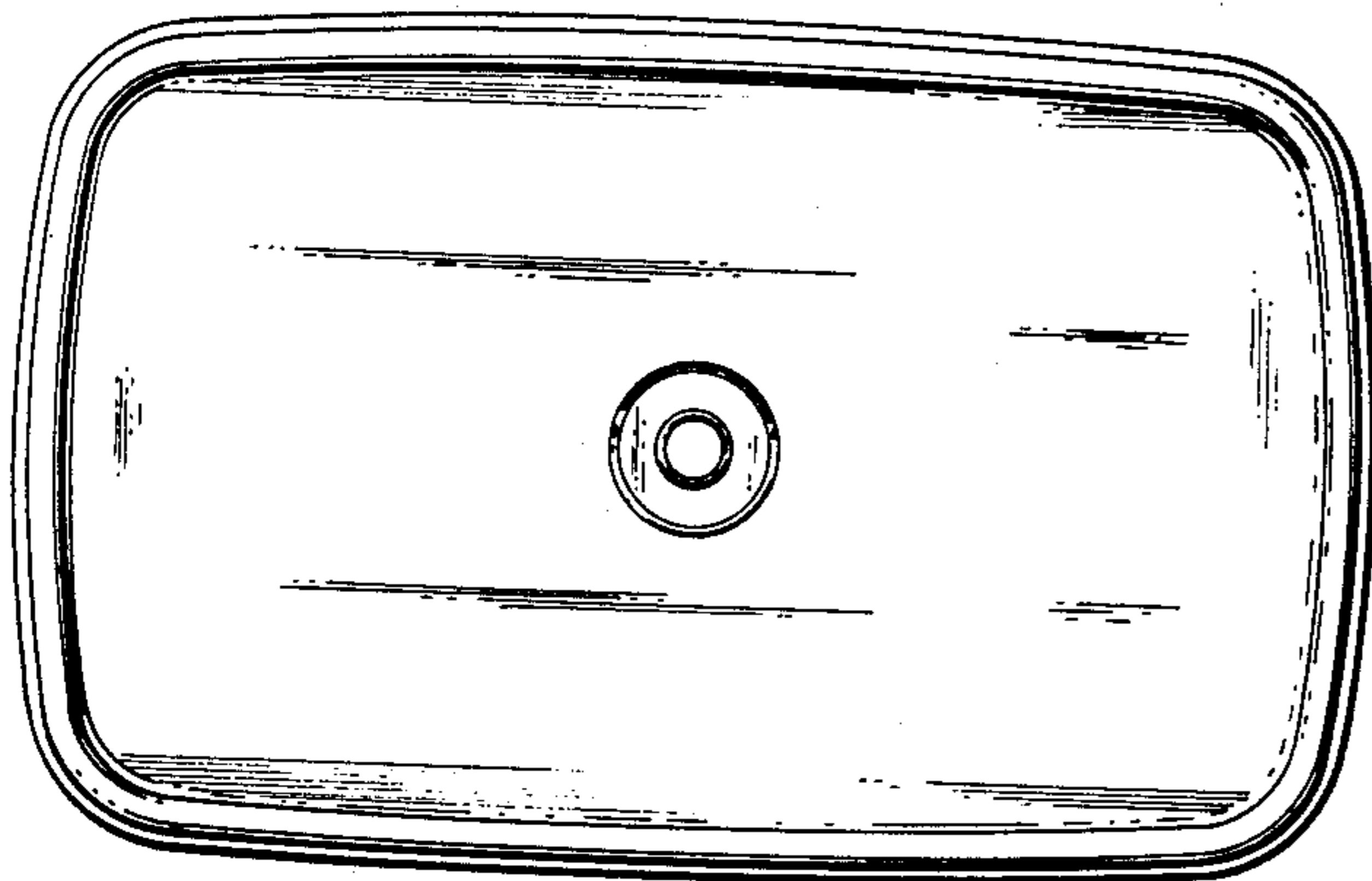


FIG. 11

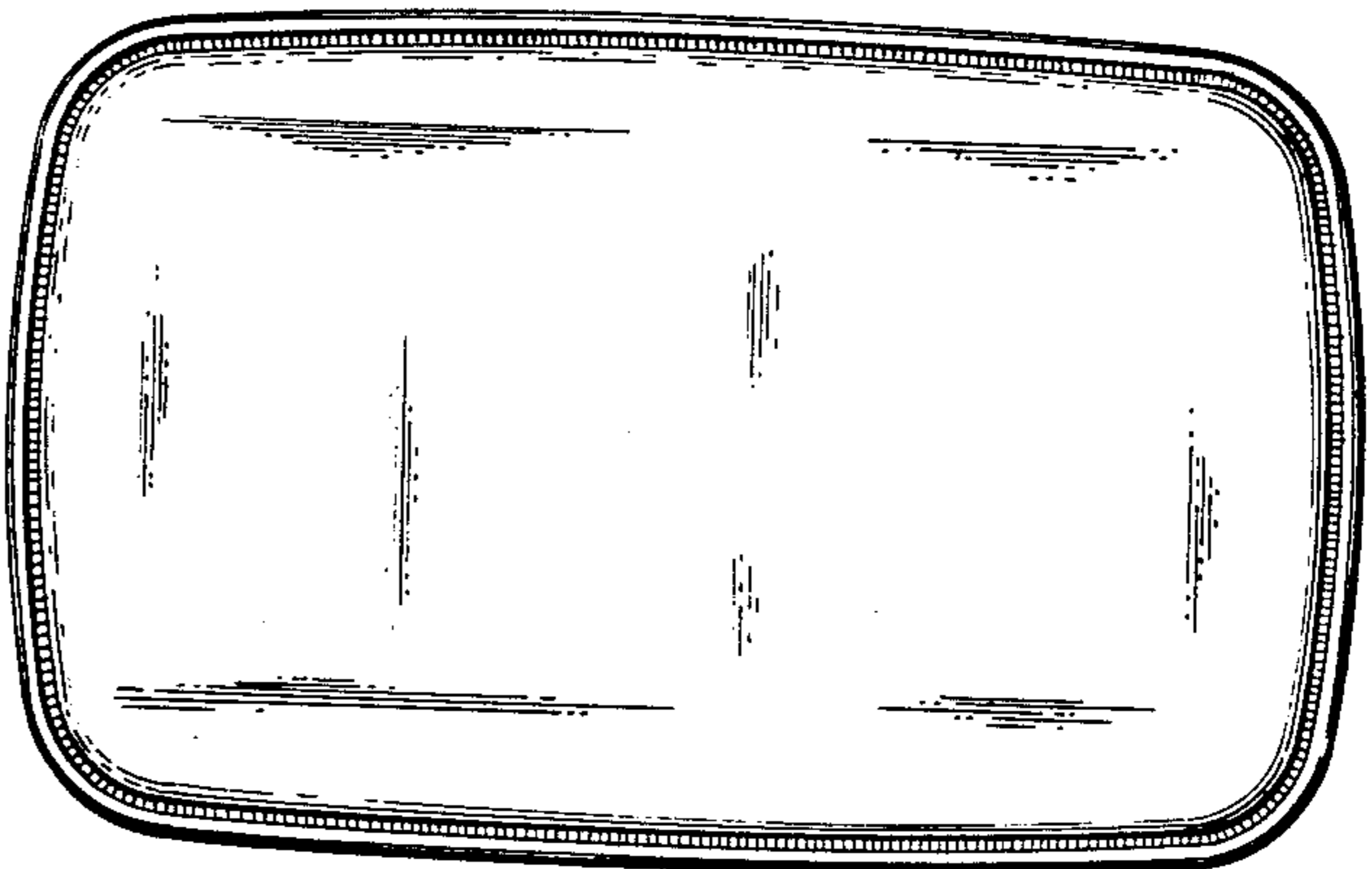


FIG. 12



FIG. 13

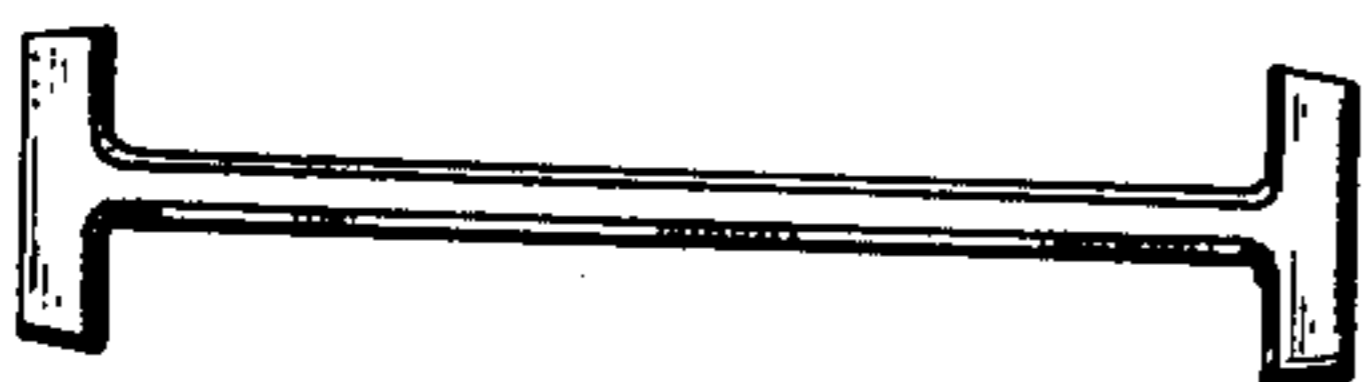


FIG. 14

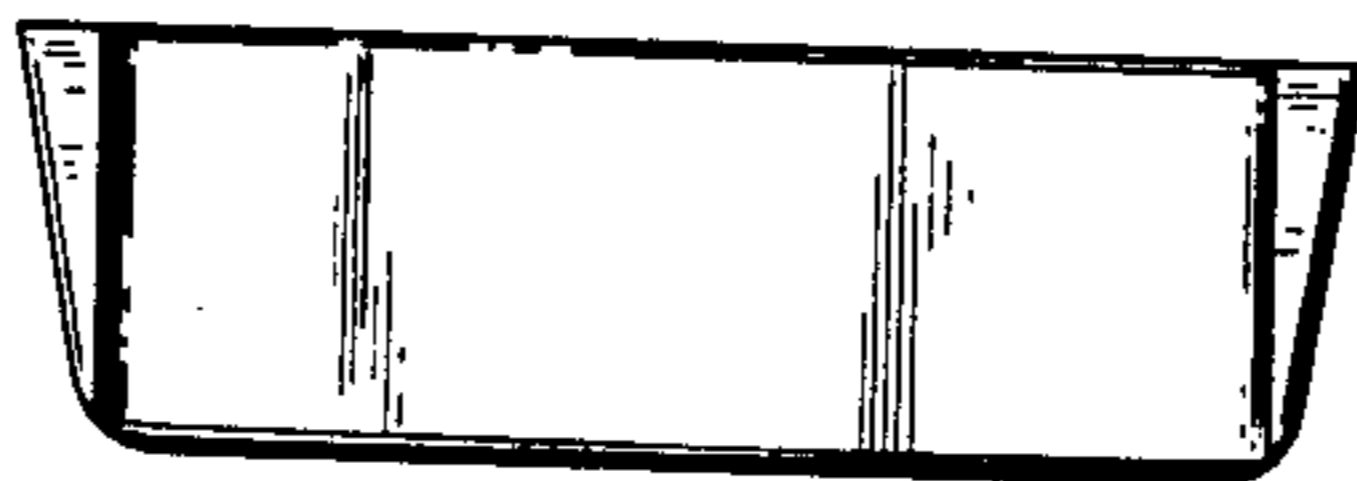


FIG. 15

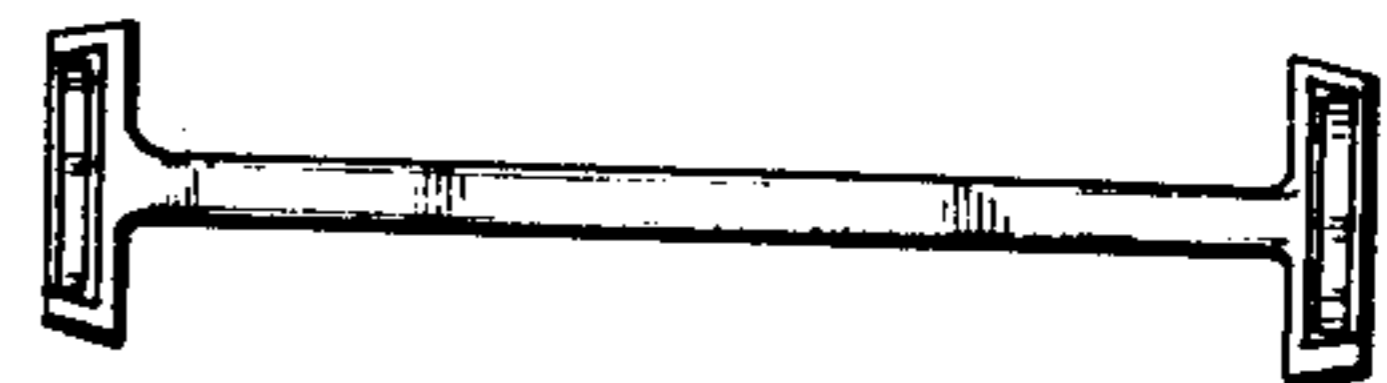


FIG. 16