

[54] CHAIR CONTROL

[76] Inventor: Frank Doerner, 138 Aberdeen Road, Kitchener, Ontario, Canada

[\*\*] Term: 14 Years

[21] Appl. No.: 654,799

[22] Filed: Feb. 3, 1976

[51] Int. Cl. .... D6-06

[52] U.S. Cl. .... D6/191

[58] Field of Search ..... D6/26, 30, 31, 22, 191, D6/194, 197; 248/378, 381

[56] References Cited

U.S. PATENT DOCUMENTS

2,008,209	7/1935	Herold .....	248/378 X
3,656,805	4/1972	Engstrom .....	248/381
3,675,887	7/1972	Meinhardt .....	248/378

Primary Examiner—Bruce W. Dunkins  
Attorney, Agent, or Firm—George H. Riches

[57] CLAIM

The ornamental design for a chair control, substantially as shown and described.

DESCRIPTION

FIG. 1 is a top view of a chair control showing my new design.

FIG. 2 is a side view thereof.

FIG. 3 is an underneath view thereof.

FIG. 4 is a perspective view of the top and side thereof.

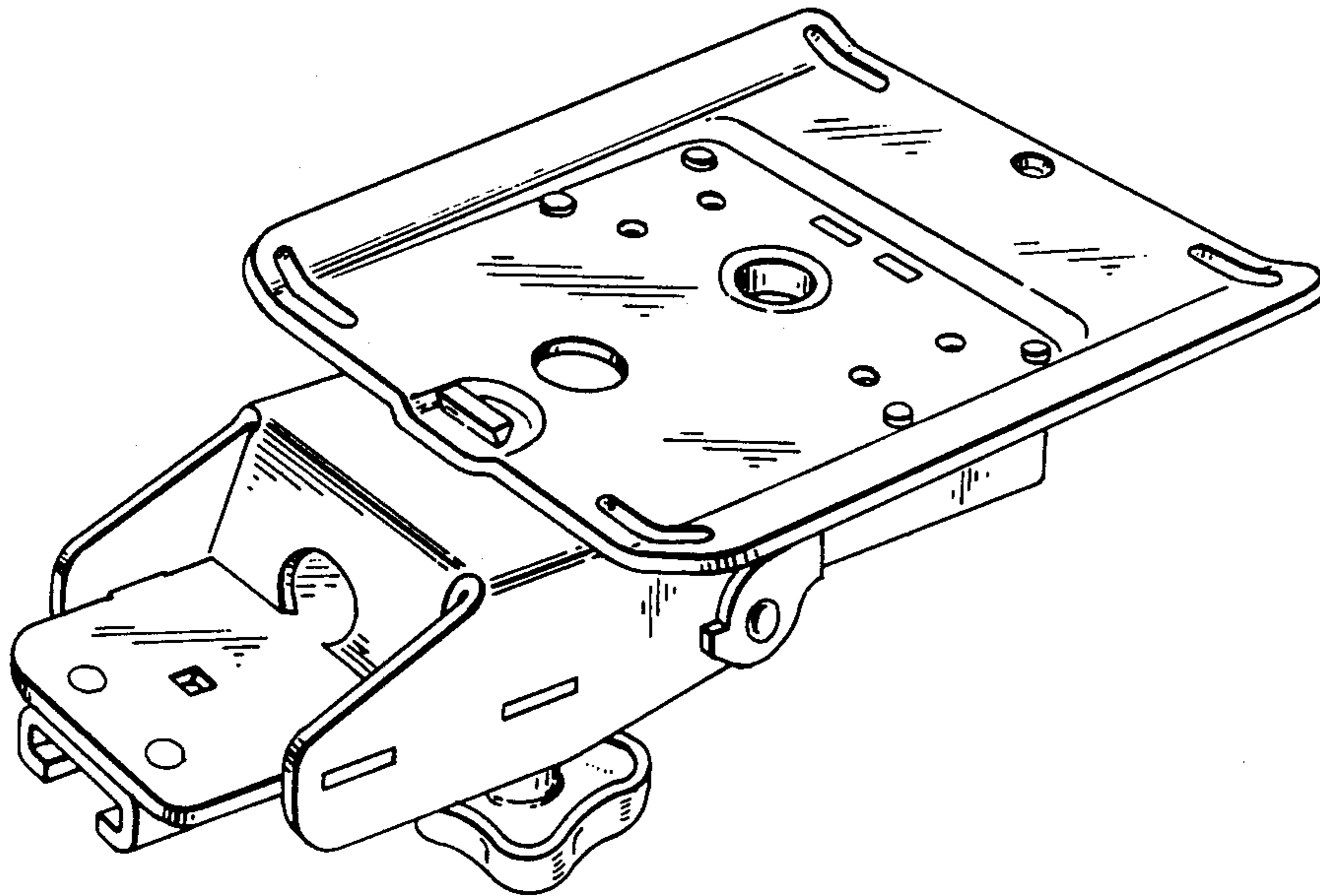
FIG. 5 is an end view thereof.

FIG. 6 is a bottom perspective view thereof.

FIG. 7 is a front end view of a second chair control embodying my new design.

FIG. 8 is an underneath view of the second chair control embodying my new design.

FIG. 9 is a perspective view of the second chair control embodying my new design.



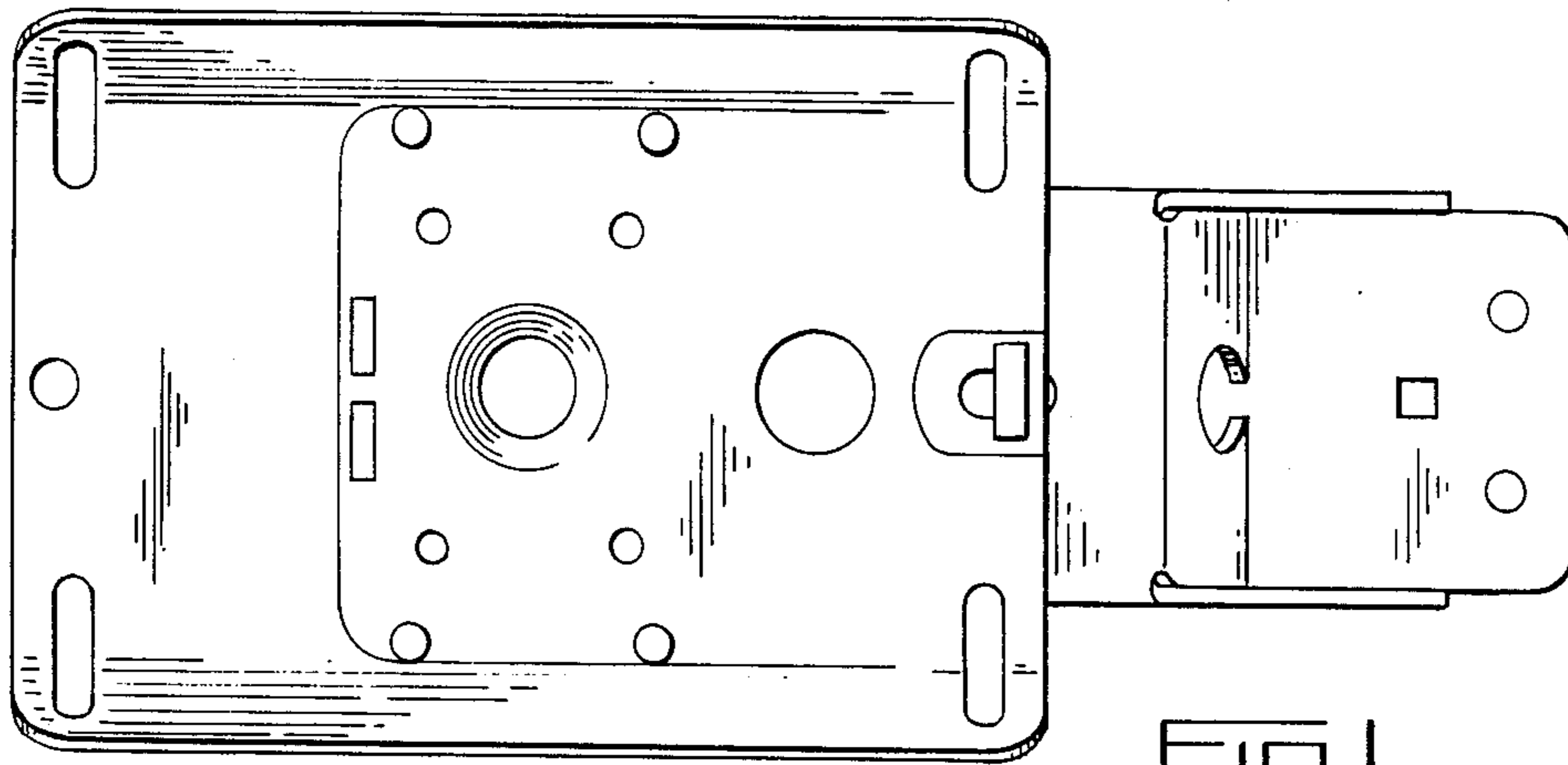


FIG. 1.

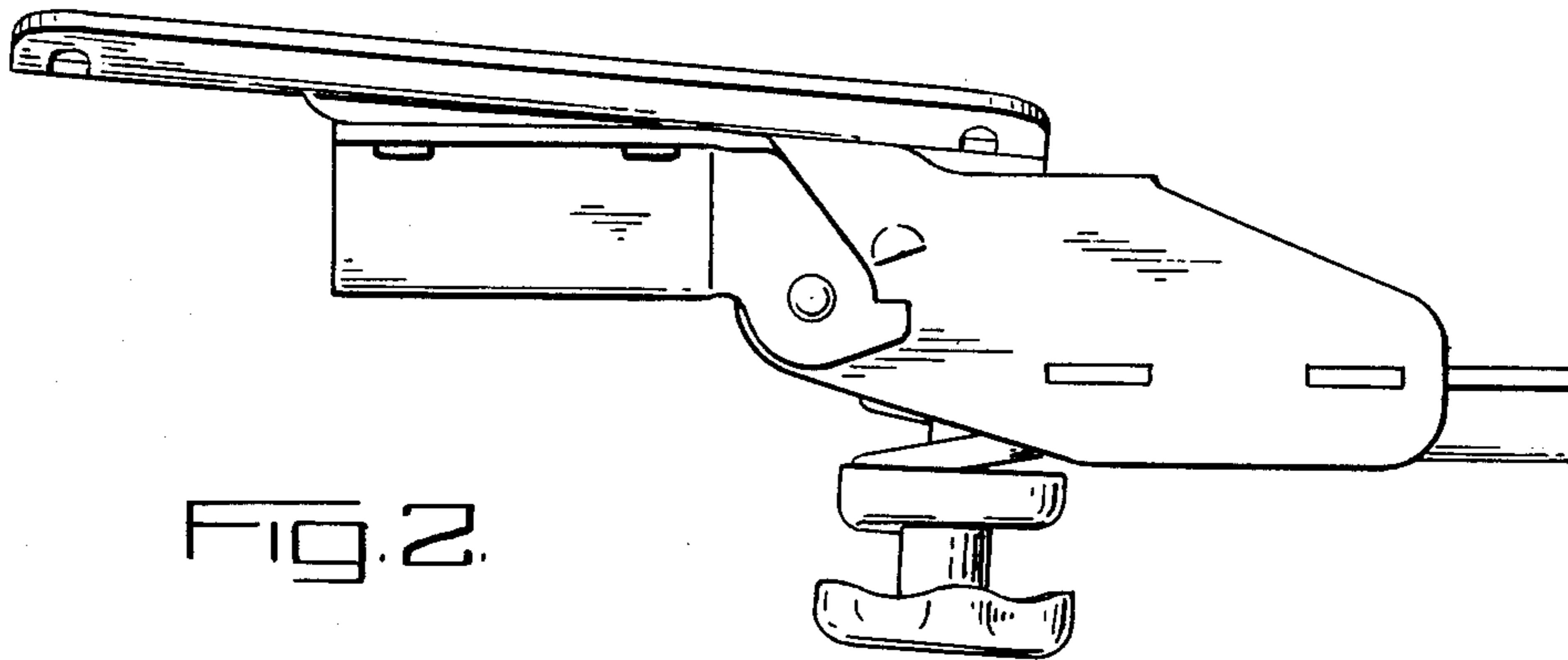


FIG. 2.

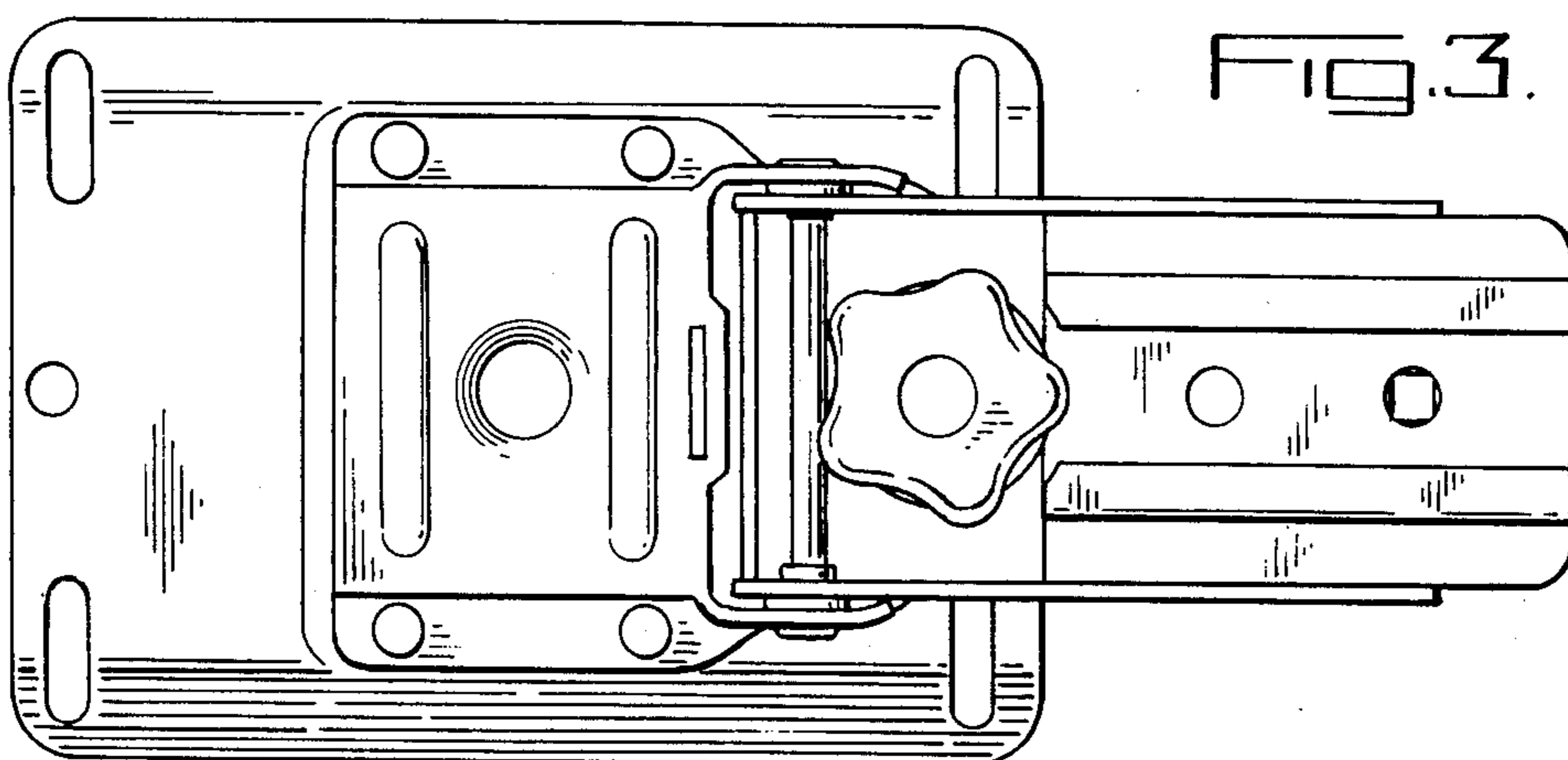


FIG. 3.

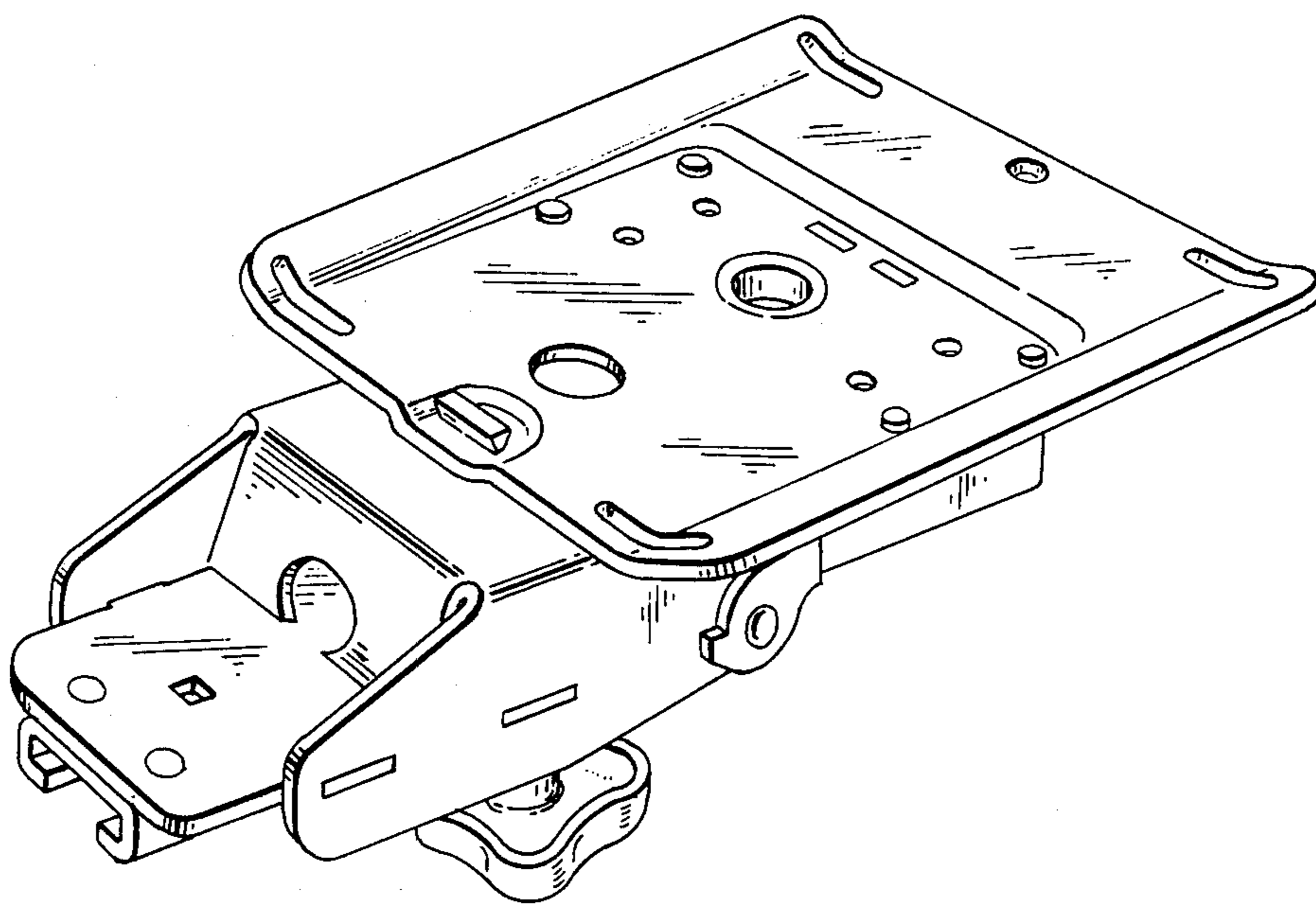


FIG. 9.

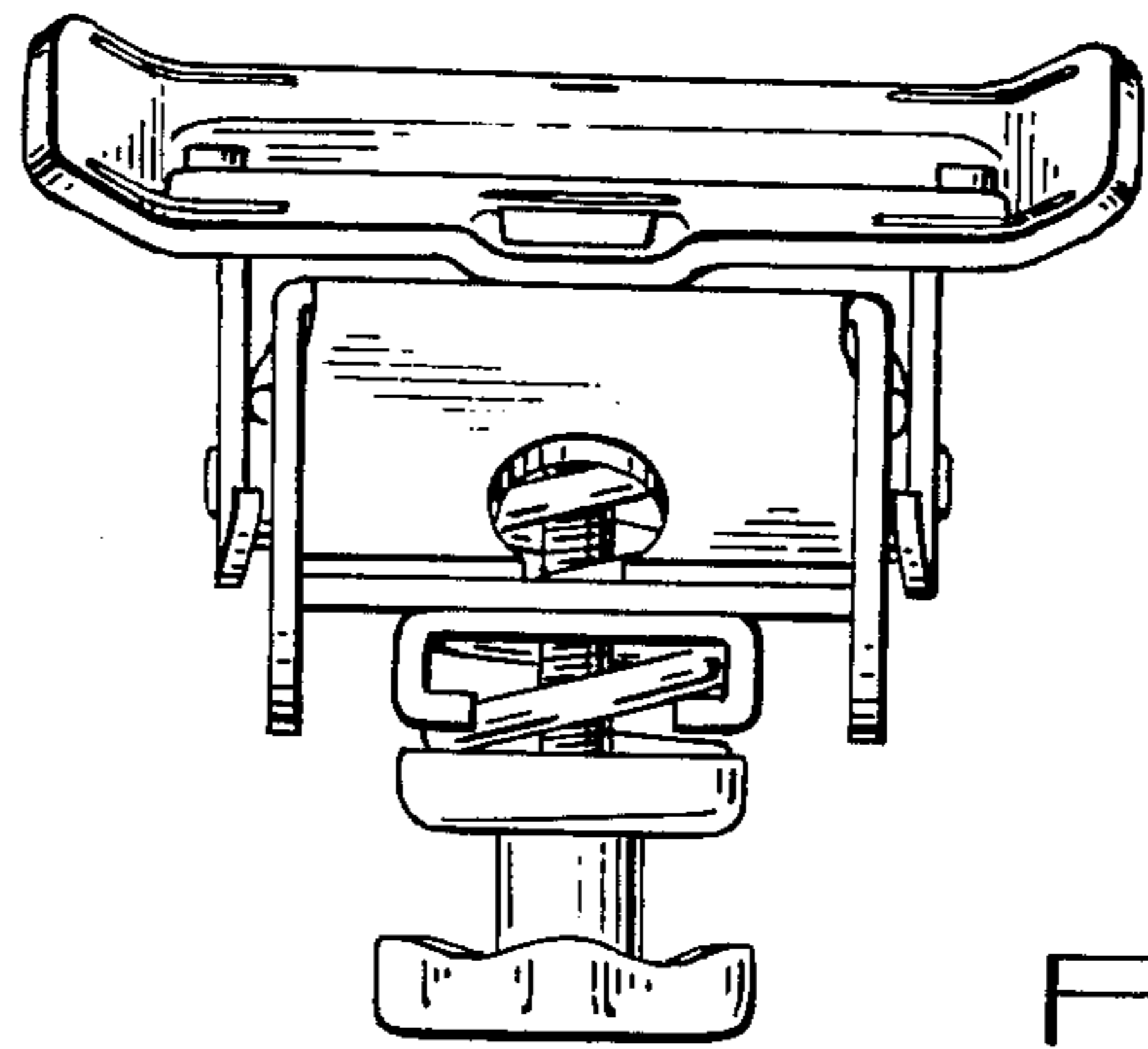


FIG. 5.

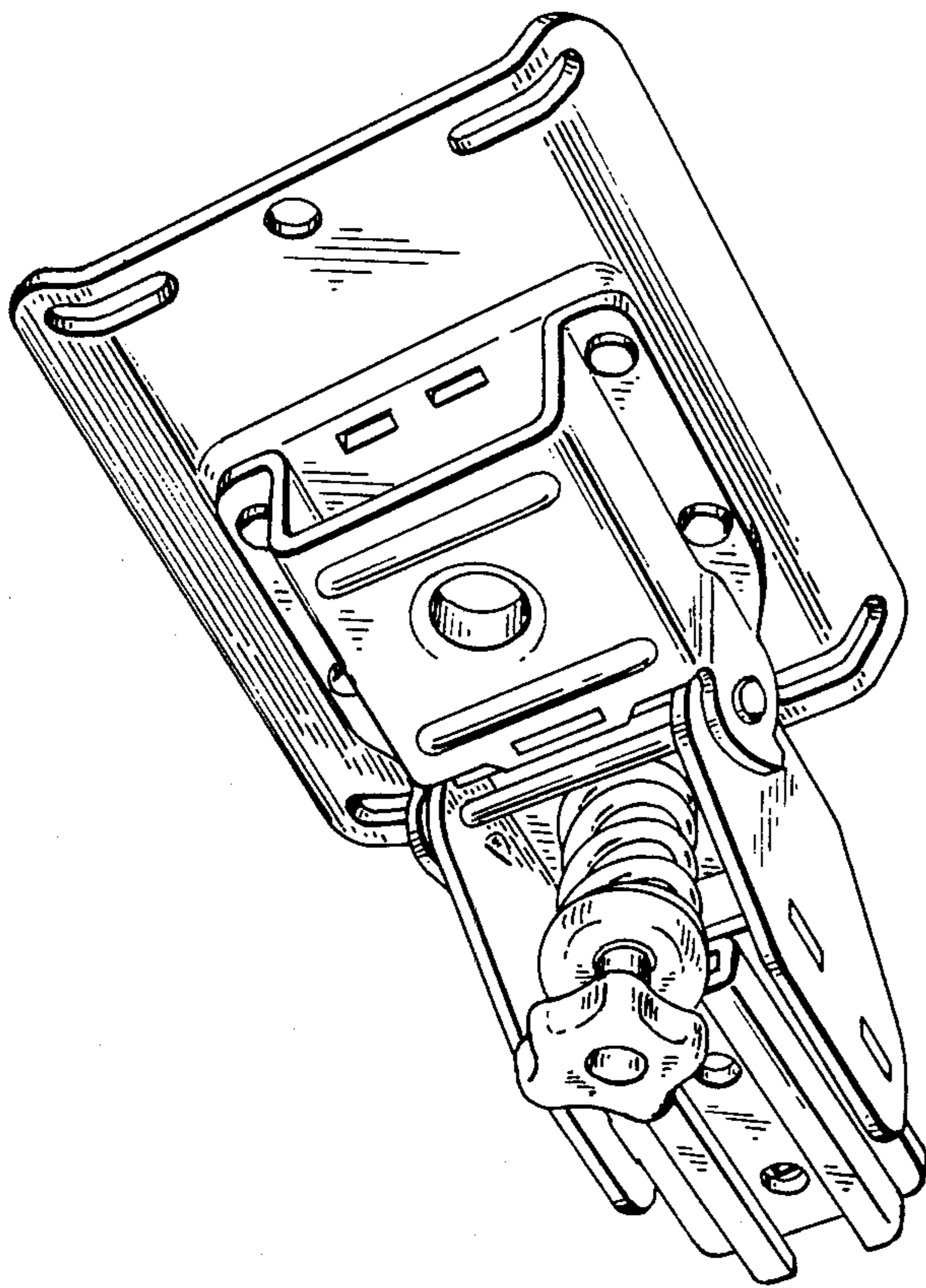


FIG. 6

FIG. 7.

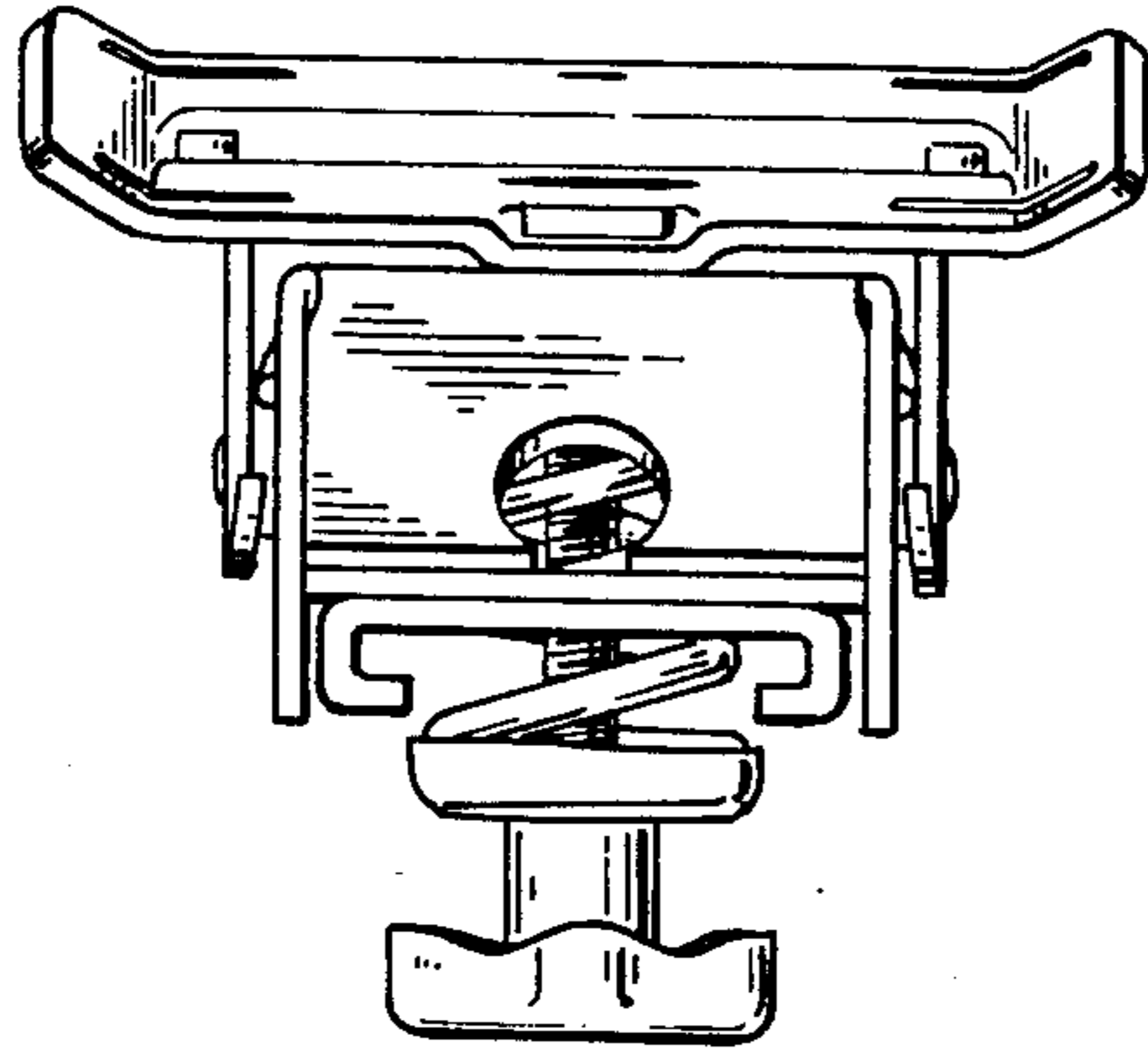
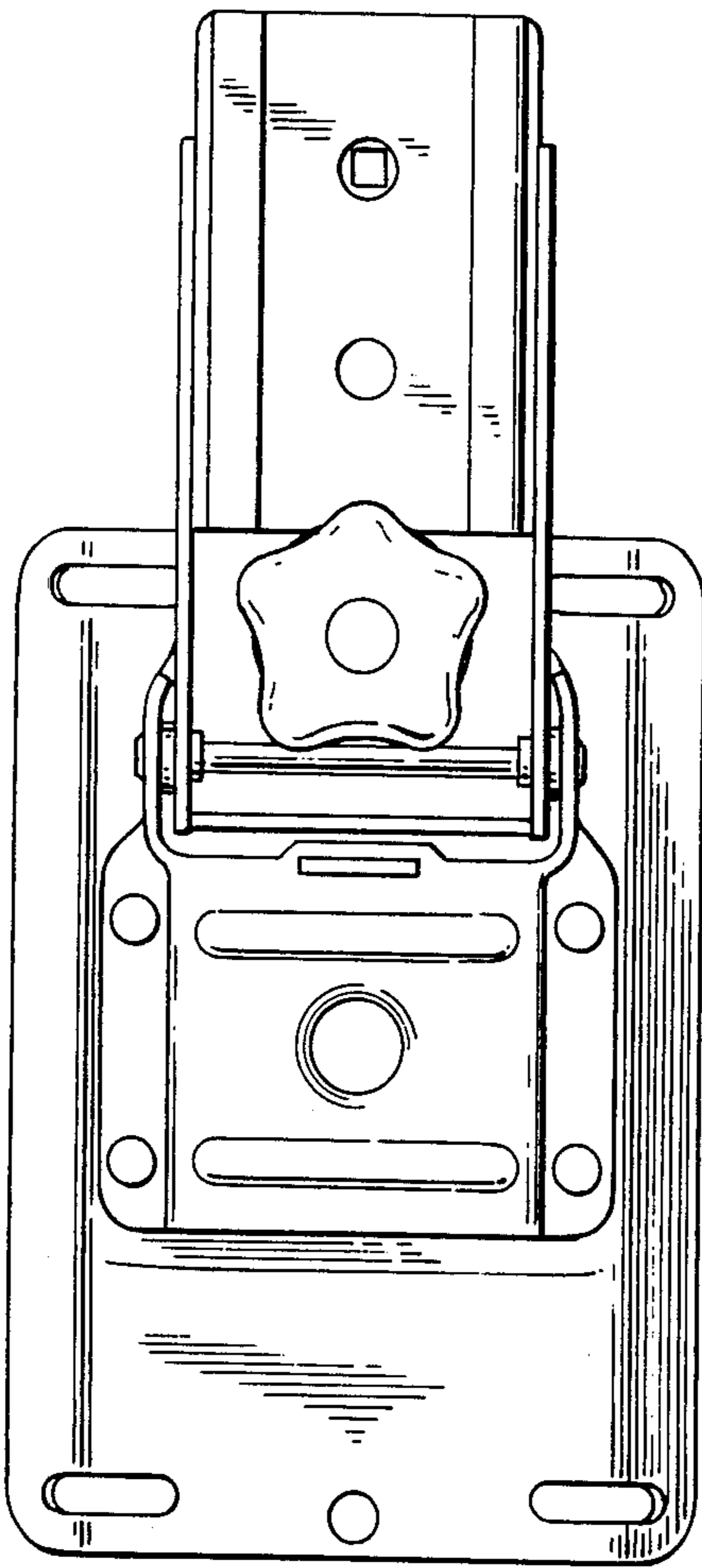


FIG. 8.



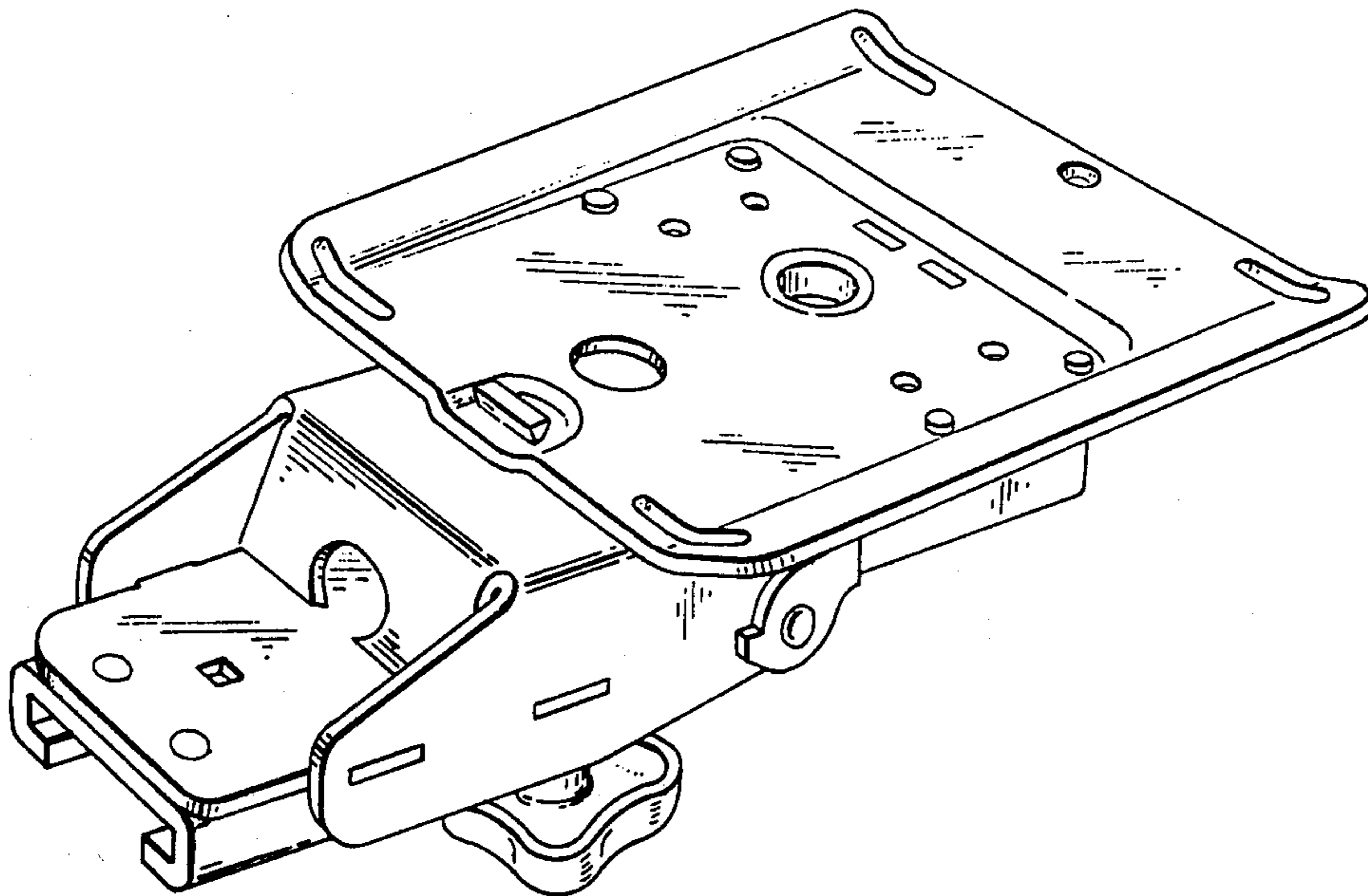


Fig. 9.