

[54] BED

[76] Inventor: **Randolph C. Parsons**, 645 West End Ave., New York, N.Y. 10025

[\*\*] Term: **14 Years**

[21] Appl. No.: **591,620**

[22] Filed: **June 30, 1975**

[51] Int. Cl. .... **D6-01**

[52] U.S. Cl. .... **D6/79**

[58] Field of Search ..... **D6/79, 80, 83, 198, D6/3-5, 13; D34/5 H; 5/1, 2 R, 131, 149, 174, 279 R, 279 B, 280, 285**

[56] **References Cited**

**U.S. PATENT DOCUMENTS**

D. 228,537	10/1973	Jennings .....	D6/79
D. 236,776	9/1975	Phillips et al. ....	D6/79
2,374,641	5/1945	Badin .....	5/131
3,950,796	4/1976	Hollingsworth .....	5/2 R

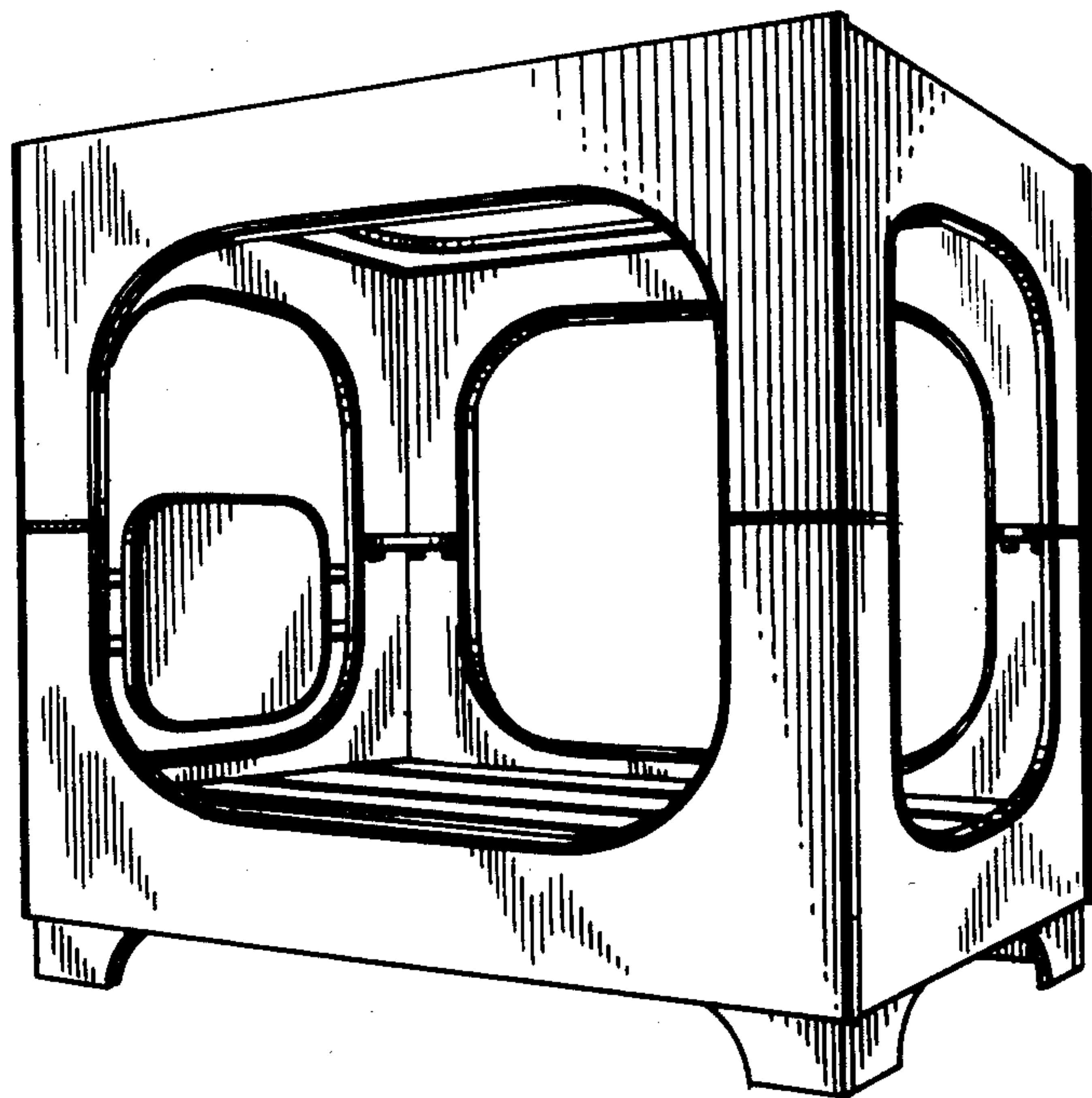
*Primary Examiner*—Nelson C. Holtje  
*Assistant Examiner*—Louis S. Zarfes  
*Attorney, Agent, or Firm*—Armand E. Lackenbach

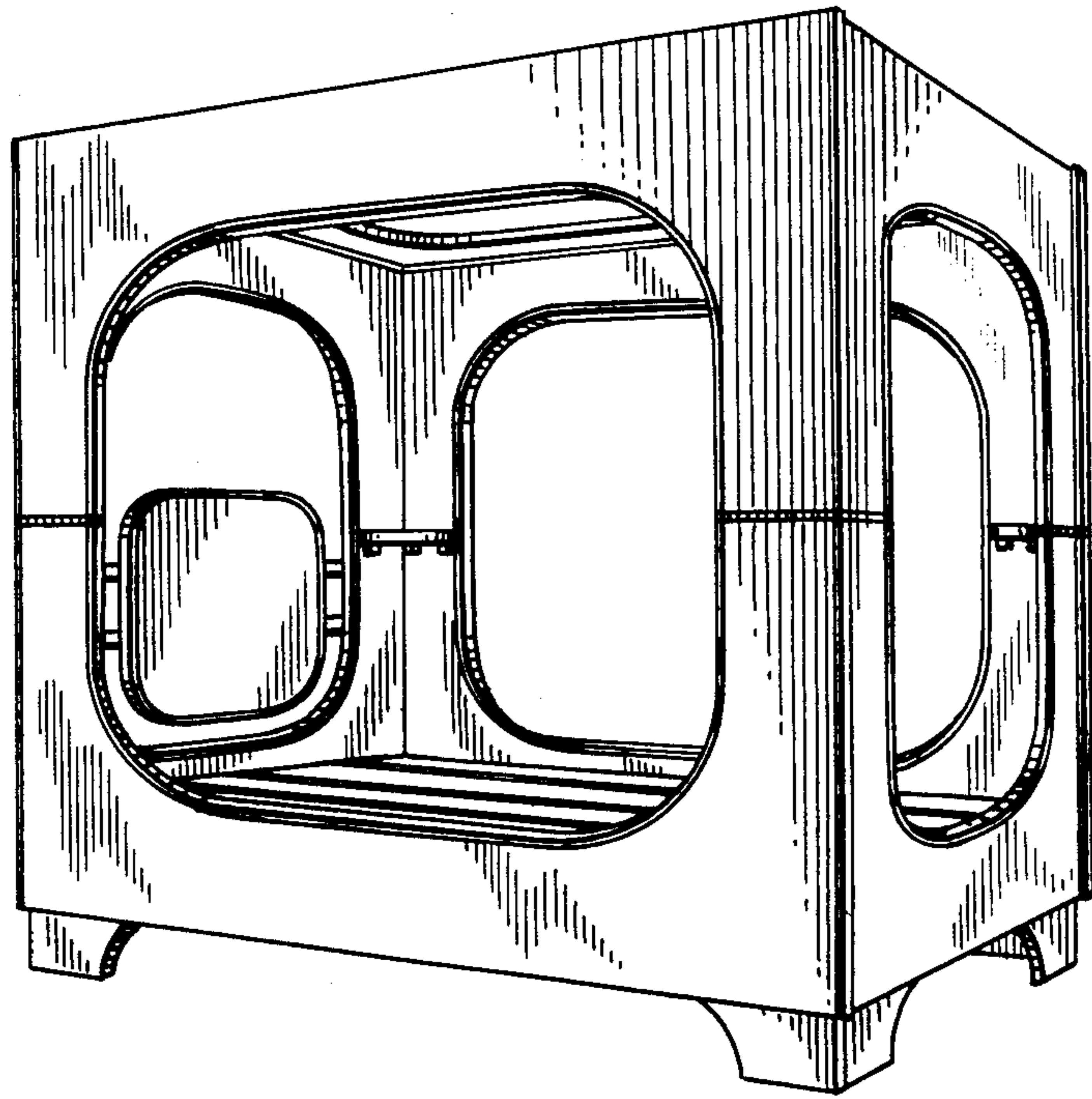
[57] **CLAIM**

The ornamental design for a bed, substantially as shown and described.

**DESCRIPTION**

FIG. 1 is a perspective view of a bed showing my new design;  
FIG. 2 is a top plan view thereof with a portion of the top broken away;  
FIG. 3 is a rear elevational view thereof;  
FIG. 4 is a side elevational view, the opposite side being a mirror image thereof;  
FIG. 5 is a front elevational view thereof;  
FIG. 6 is a cross-sectional view taken along line 6-6 of FIG. 4;  
FIG. 7 is a perspective view of a bed showing a modified form of my new design; and  
FIG. 8 is a top plan view of the embodiment of FIG. 7 with a portion of top broken away.





*FIG. 2*

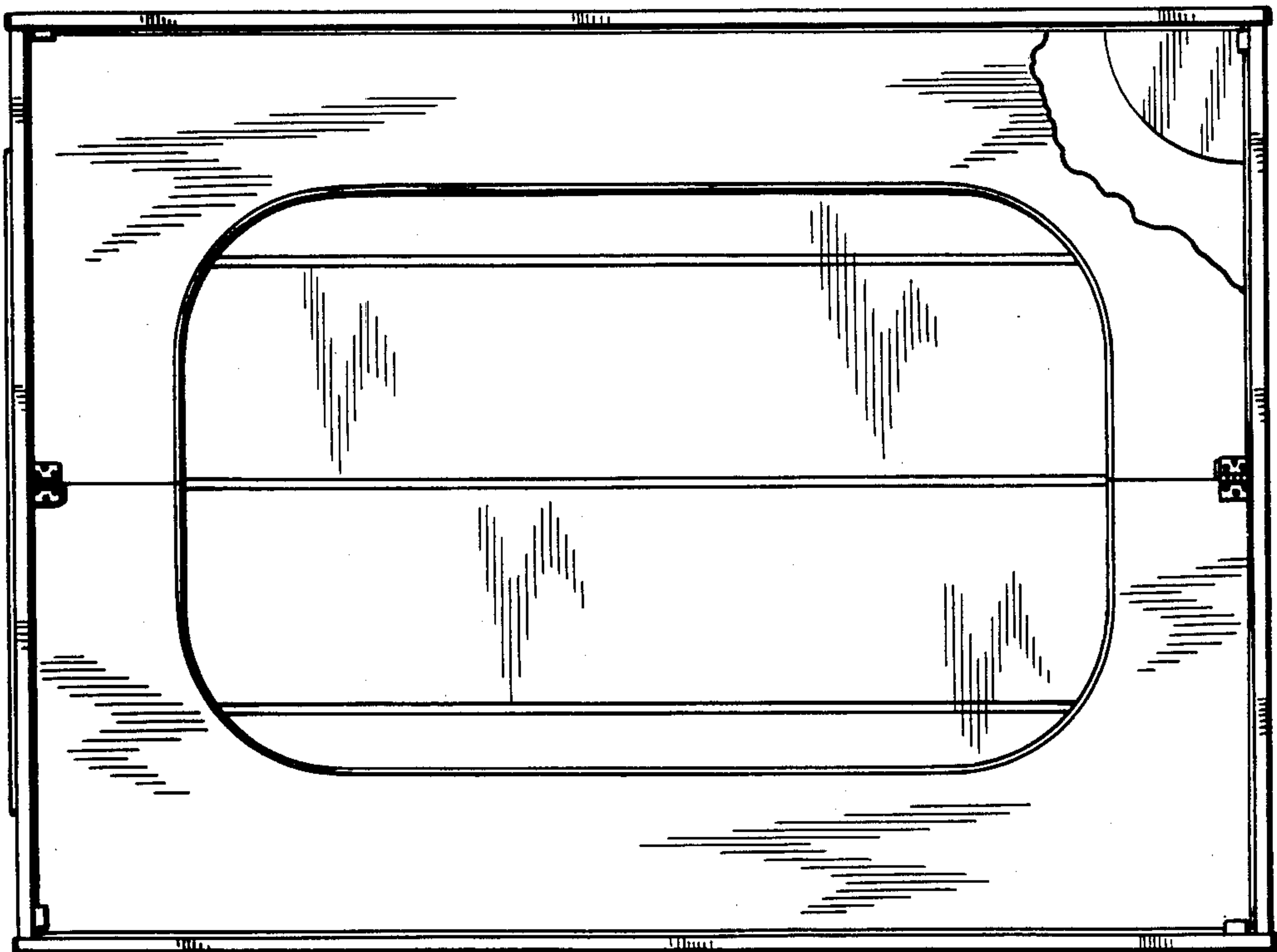


FIG. 4

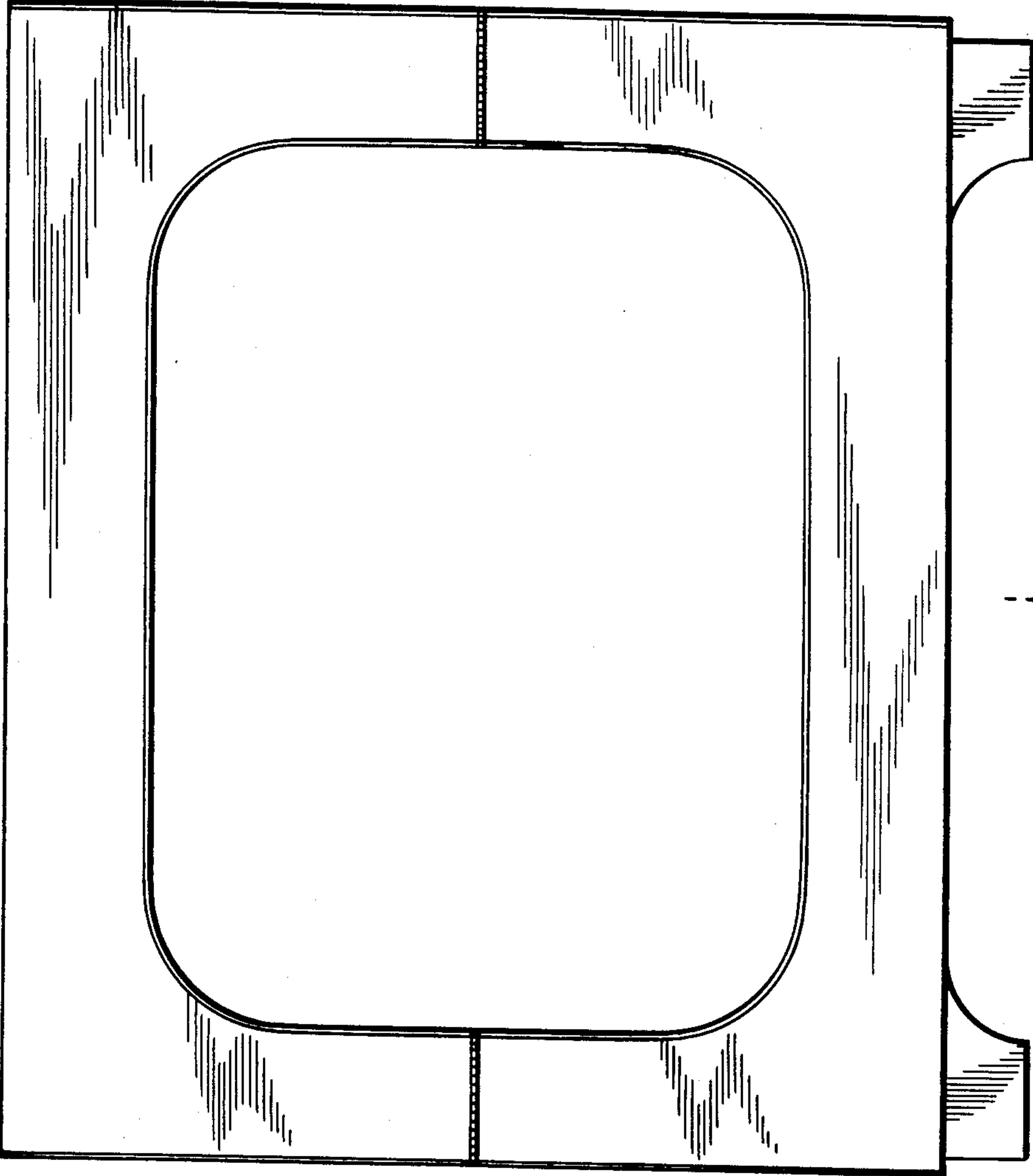


FIG. 3

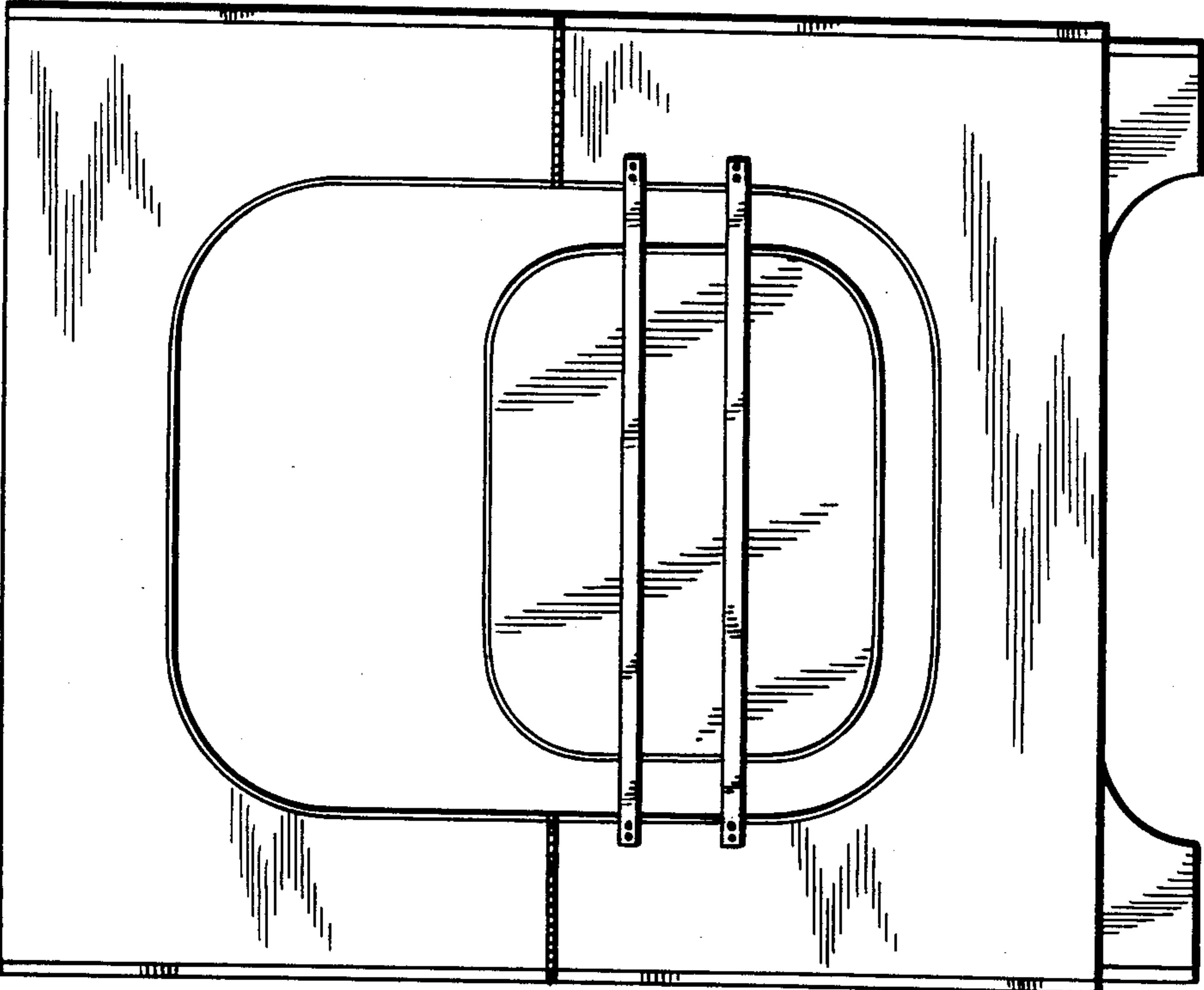


FIG. 6

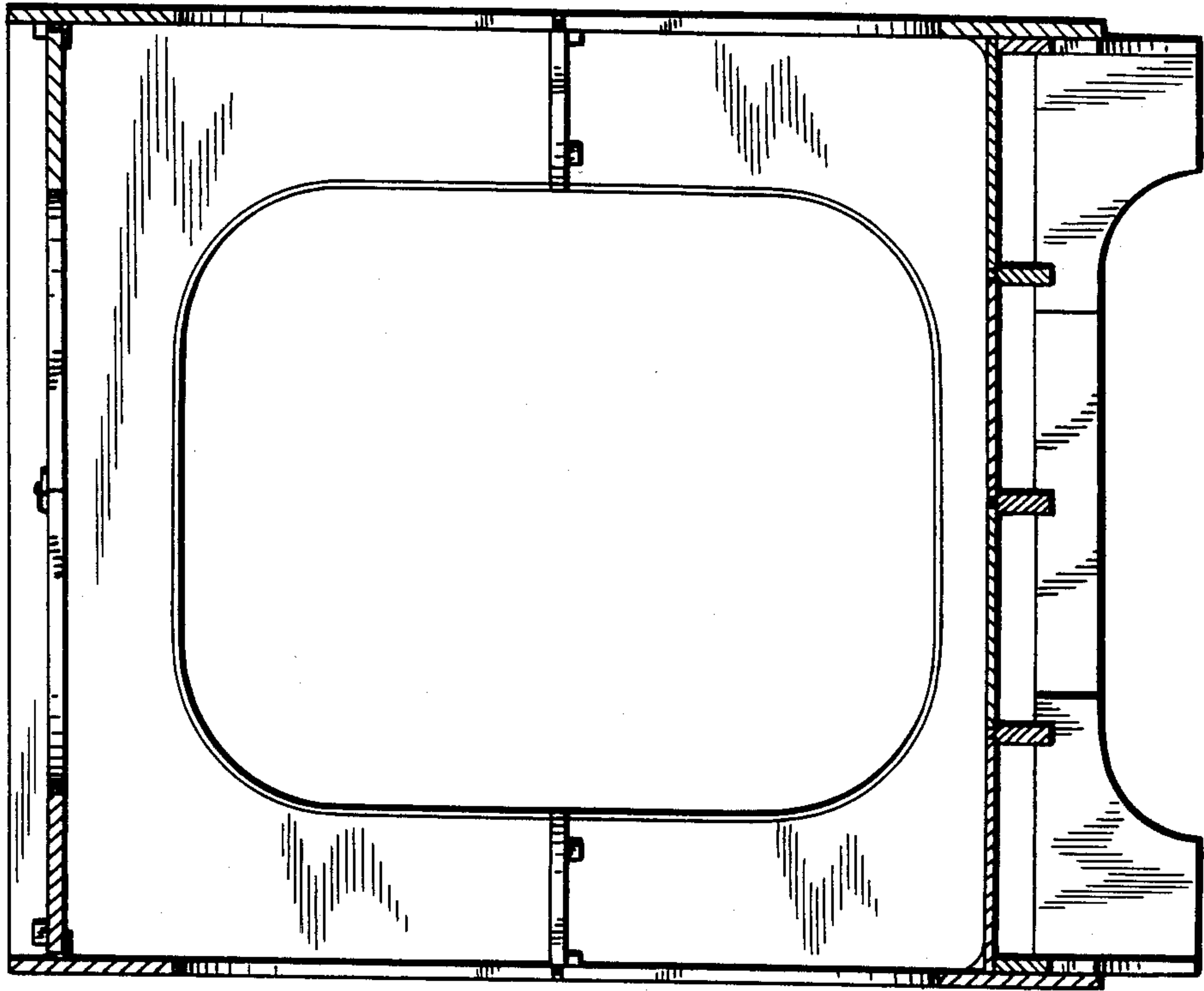
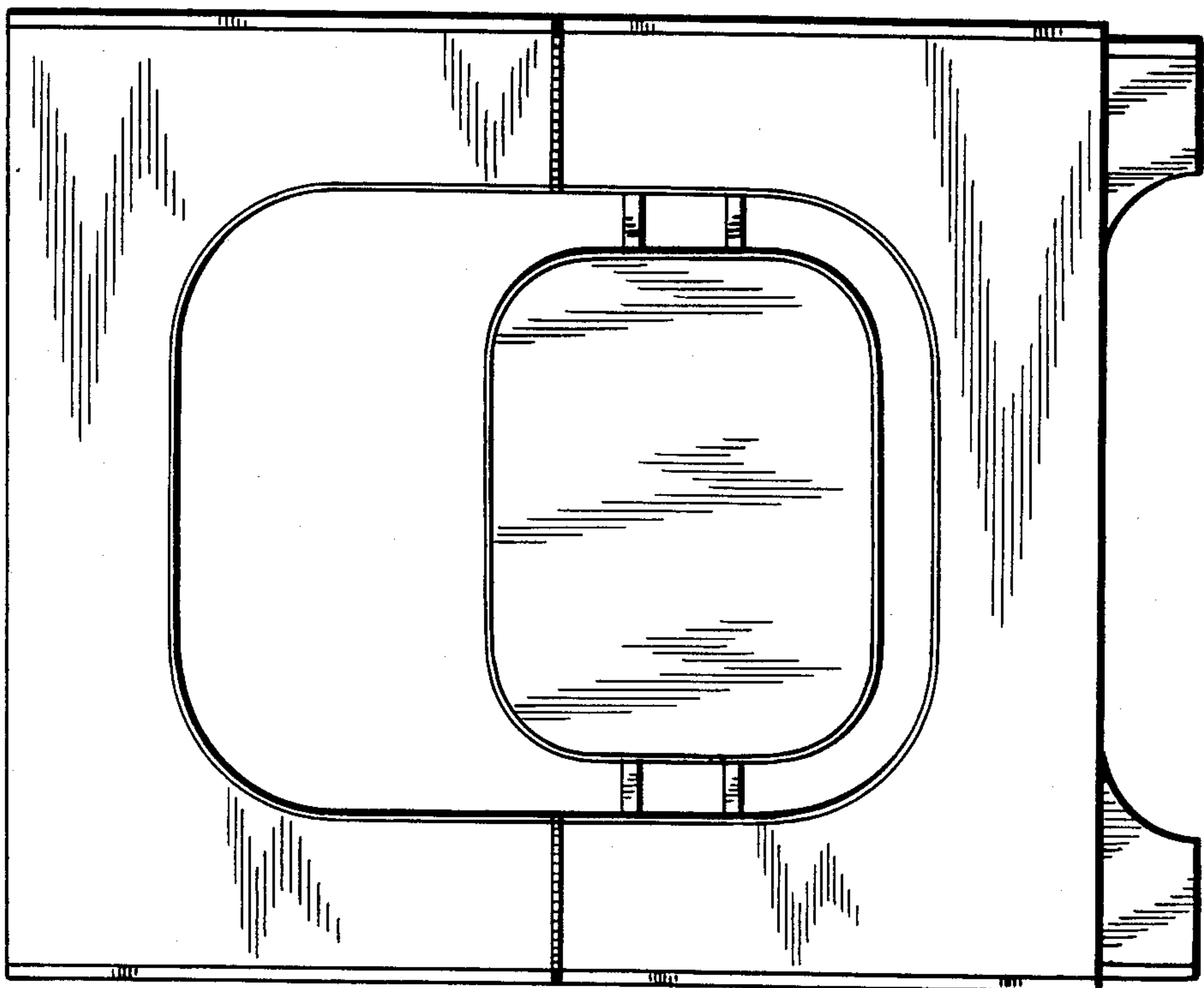


FIG. 5





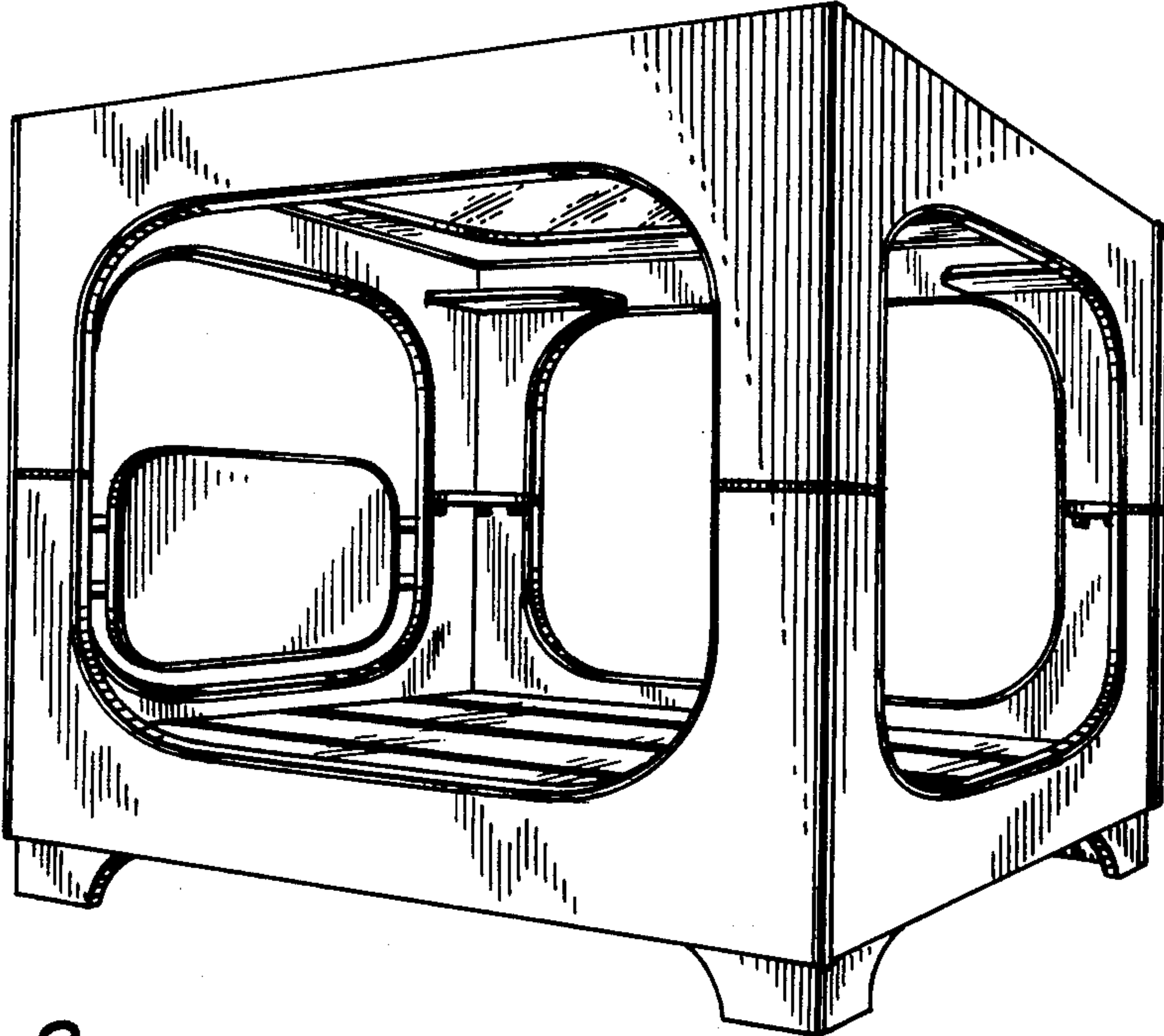


FIG. 7

FIG. 8

