

[54] SIDE CHAIR

[76] Inventor: Harry Laylon, 259 Rider Ave.,
Syracuse, N.Y. 13207

[*] Notice: The portion of the term of this patent
subsequent to Oct. 28, 1989, has been
disclaimed.

[**] Term: 14 Years

[21] Appl. No.: 564,250

[22] Filed: Apr. 2, 1975

Related U.S. Application Data

[63] Continuation-in-part of Ser. No. 431,448, Jan. 7, 1974,
Pat. No. D. 237,332.

[51] Int. Cl. D6-01

[52] U.S. Cl. D6/75

[58] Field of Search D6/47-78

[56]

References Cited

U.S. PATENT DOCUMENTS

| | | | |
|------------|---------|----------------------|---------|
| D. 90,912 | 10/1933 | Goodman | D6/75 |
| D. 224,952 | 10/1972 | Wilson | D6/75 |
| D. 225,198 | 11/1972 | Ahlstrom et al. | D6/78 |
| D. 229,259 | 11/1973 | Chadwick | D6/78 |
| D. 233,964 | 12/1974 | Morrison et al. | D6/75 X |
| D. 235,829 | 7/1975 | Dransart | D6/78 |
| D. 237,332 | 10/1975 | Laylon | D6/78 X |

Primary Examiner—Bruce W. Dunkins

Attorney, Agent, or Firm—Leigh B. Taylor

[57]

CLAIM

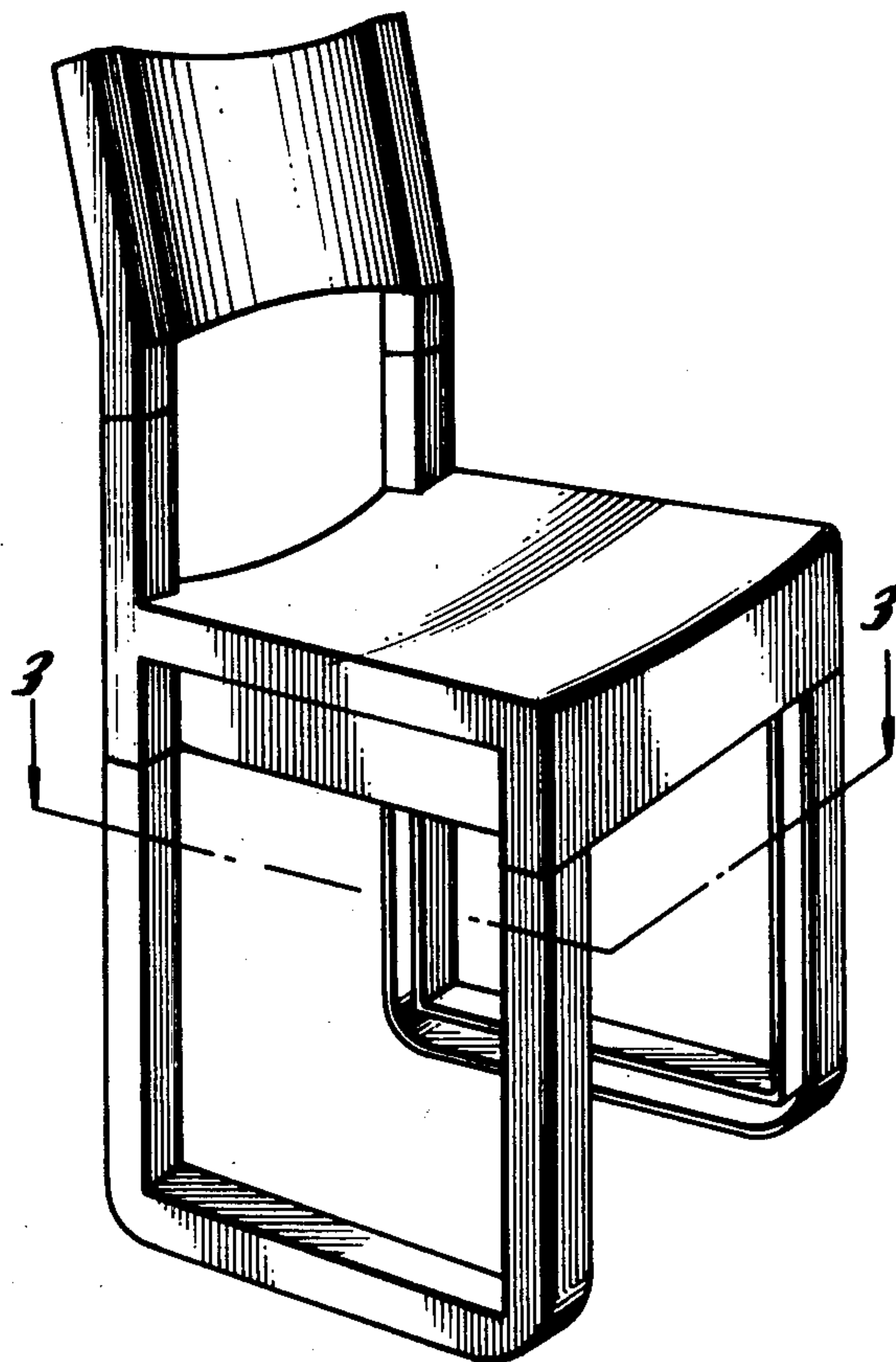
The ornamental design for a side chair, substantially as
shown.

DESCRIPTION

FIG. 1 is a top front perspective view of the side chair
showing my new design;

FIG. 2 is a top rear perspective view thereof; and

FIG. 3 is a cross-sectional view thereof taken along line
3-3 of FIG. 1.



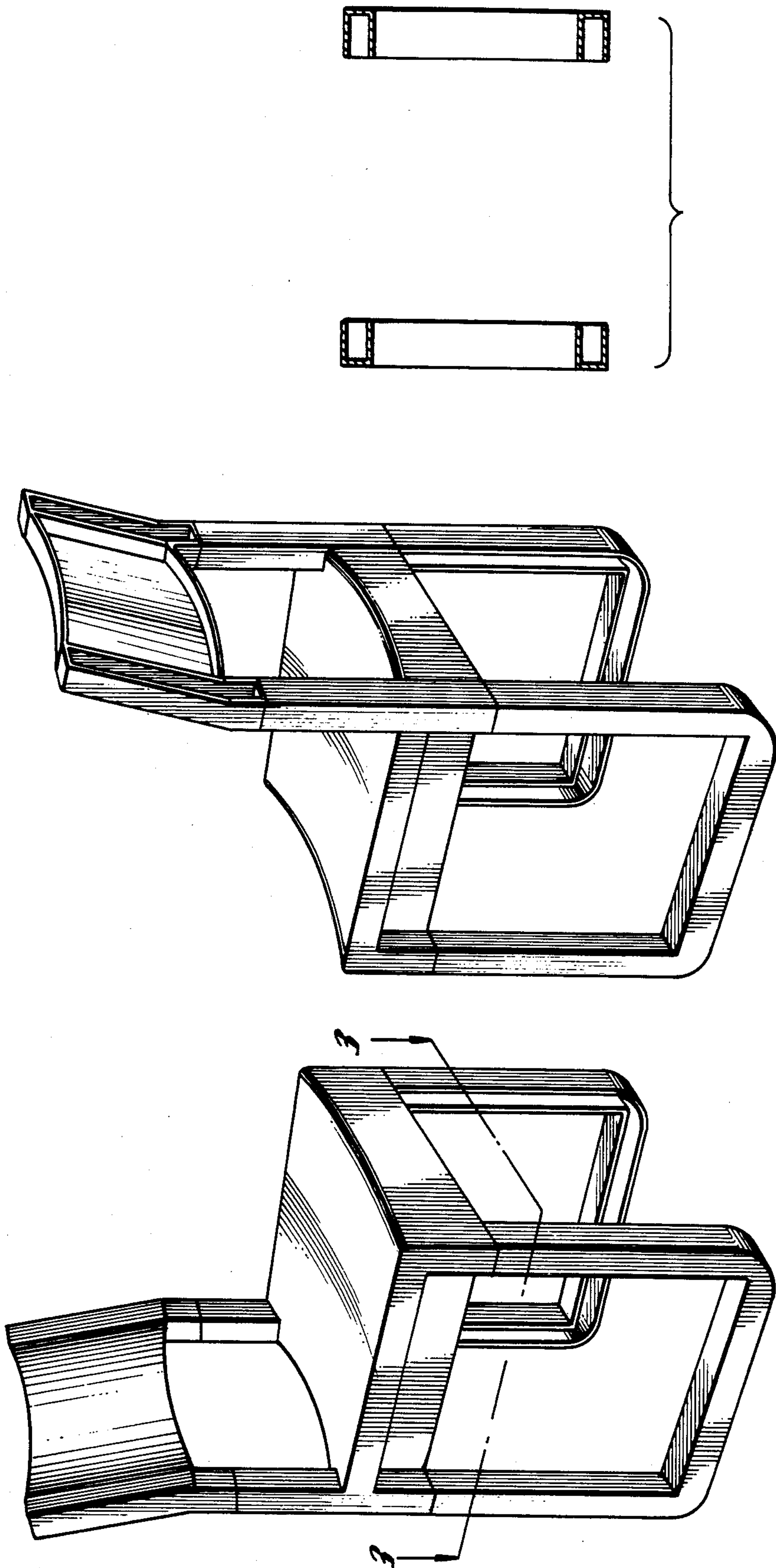


FIG. 3

FIG. 2

FIG. 1