

[54] HAND HELD SPOT LIGHT

[75] Inventor: Duncan M. Payne, Tulsa, Okla.

[73] Assignee: Optronics, Incorporated, Fort Gibson, Okla.

[**] Term: 14 Years

[21] Appl. No.: 613,262

[22] Filed: Sept. 15, 1975

[51] Int. Cl. D26-02

[52] U.S. Cl. D48/24 R

[58] Field of Search D48/20 K, 24 R;
240/8.18, 10.6, 10.61, 10.63, 10.65, 10.67, 11.2,
11.4

[56] References Cited

U.S. PATENT DOCUMENTS

D. 214,752 7/1969 Zapolski D48/24 R
3,439,159 4/1969 McRoskey et al. 240/8.18

Primary Examiner—Susan J. Lucas
Attorney, Agent, or Firm—Paul H. Johnson

[57] CLAIM

The ornamental design for a hand held spot light, substantially as shown.

DESCRIPTION

FIG. 1 is a side elevational view of a hand held spot light showing my new design.

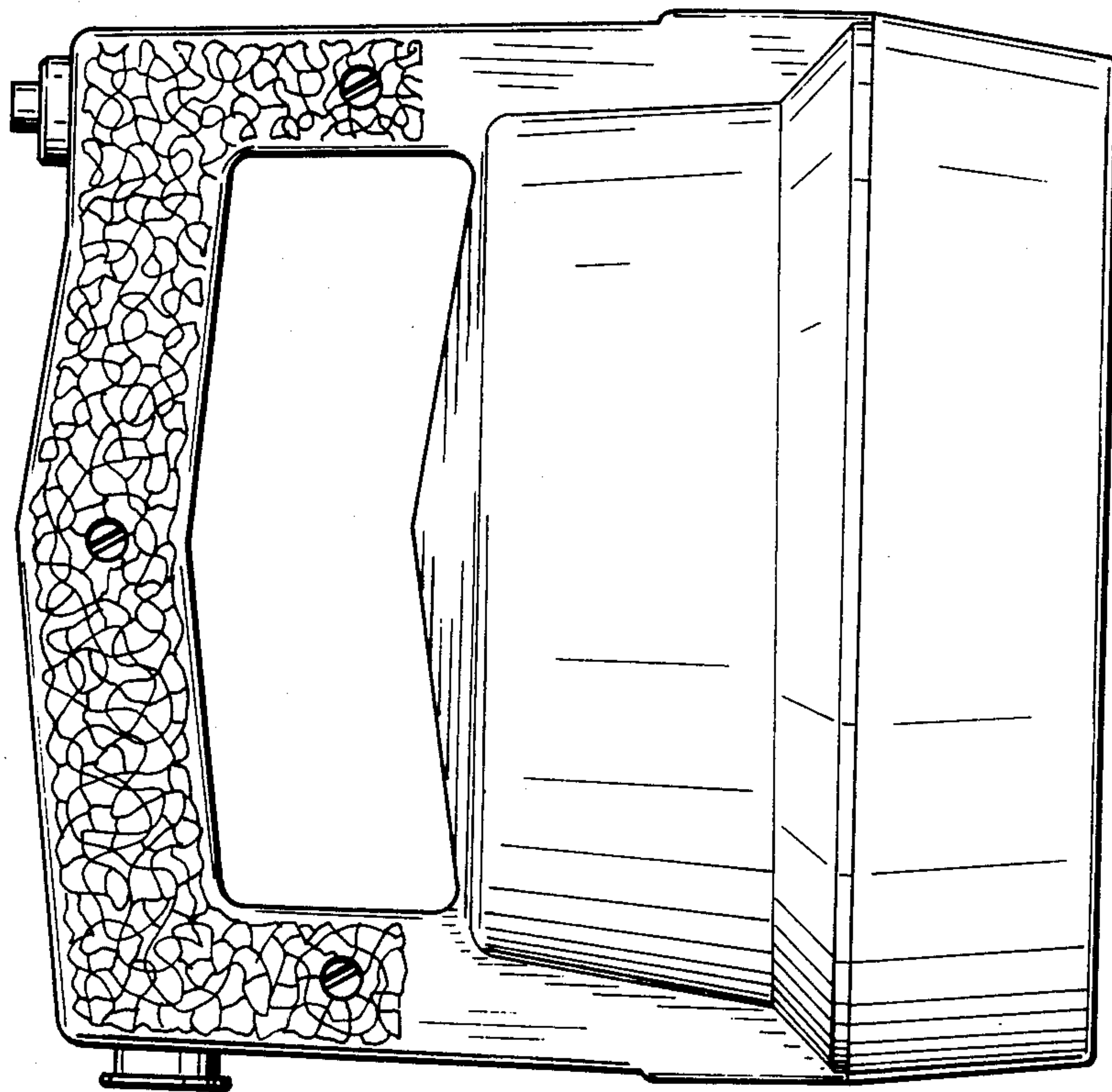
FIG. 2 is a bottom plan view.

FIG. 3 is a side elevational view opposite from that shown in FIG. 1.

FIG. 4 is a front elevational view.

FIG. 5 is a top plan view.

FIG. 6 is a rear elevational view.



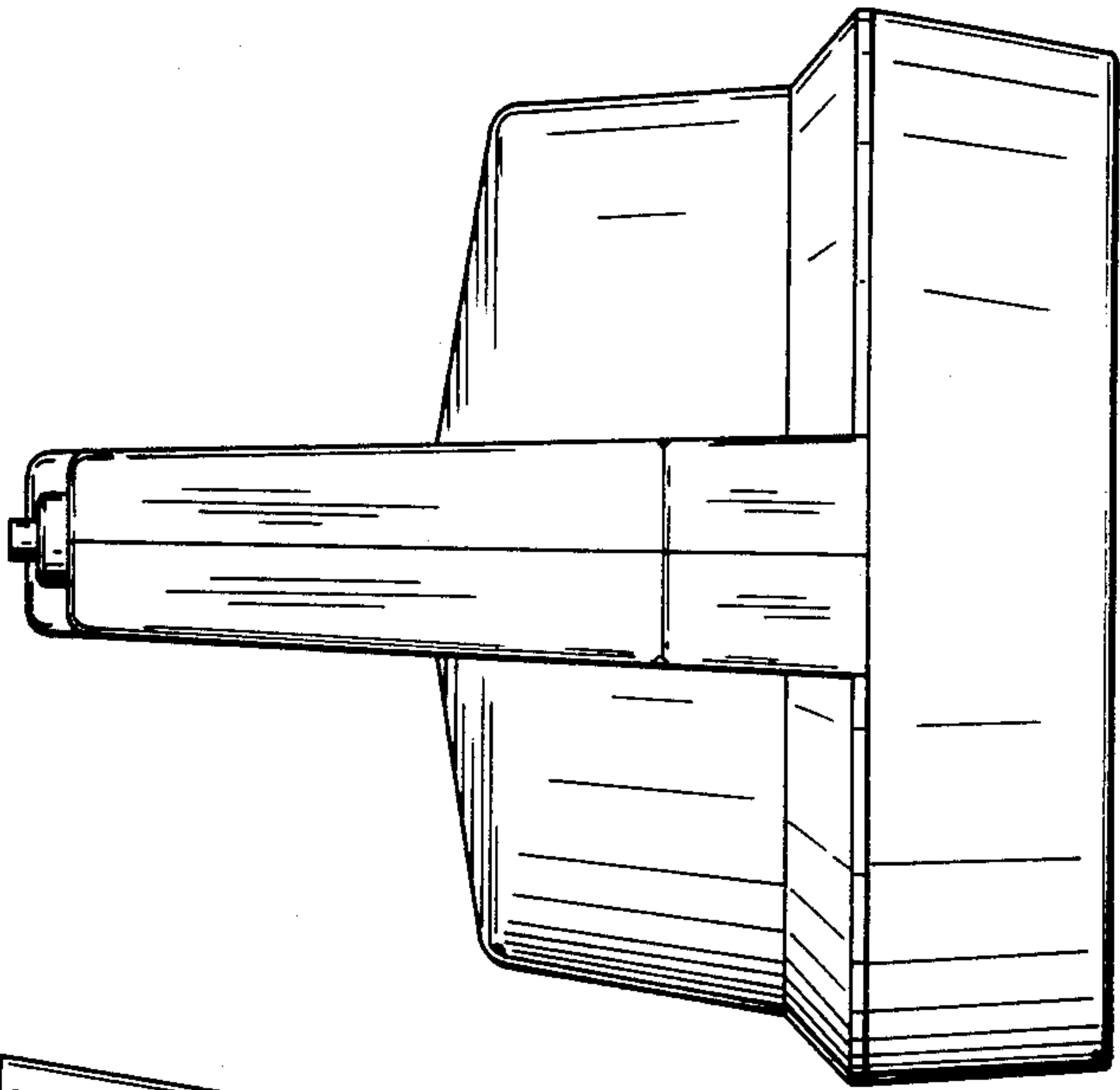


Fig. 1

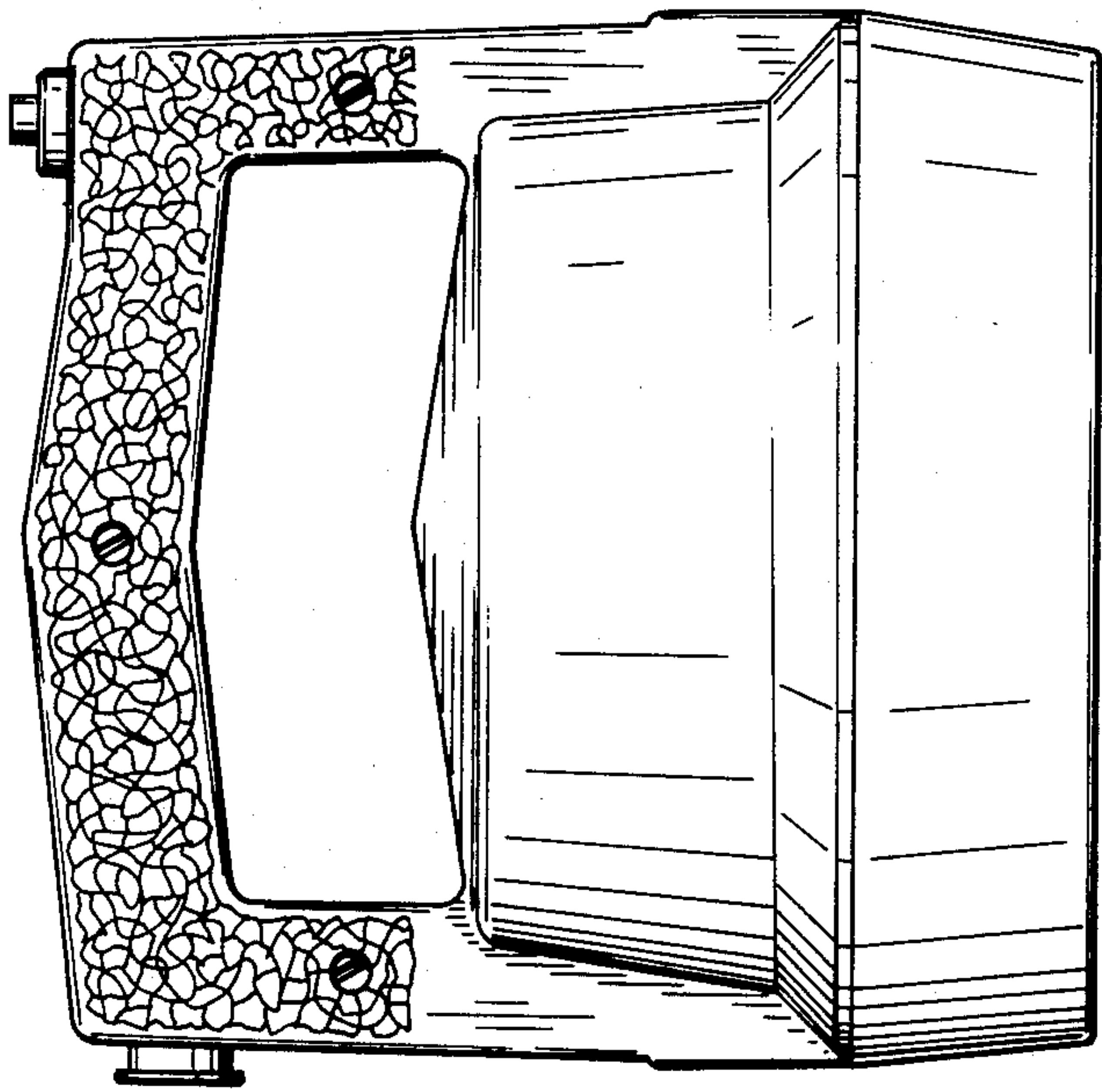


Fig. 2

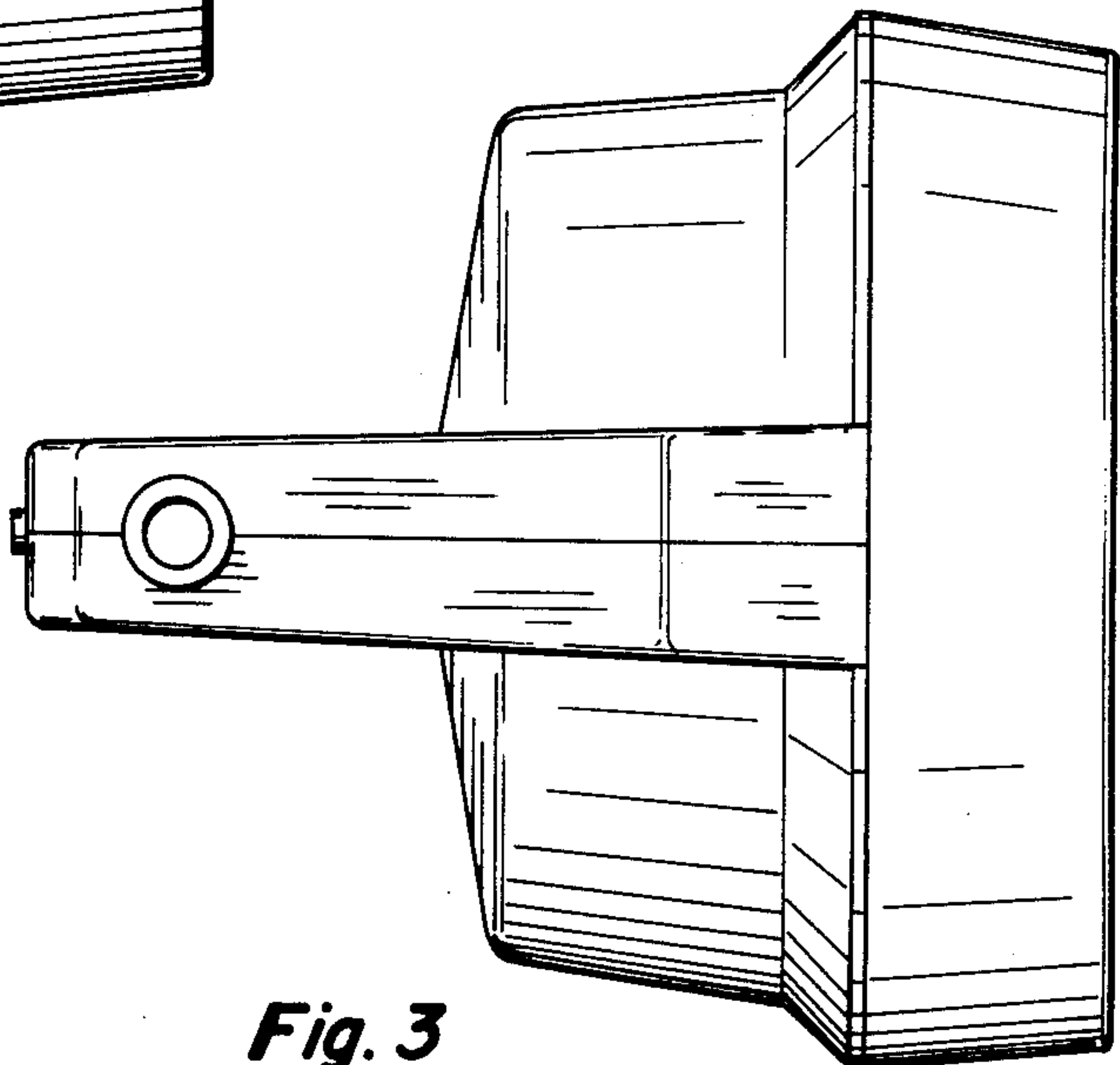


Fig. 3

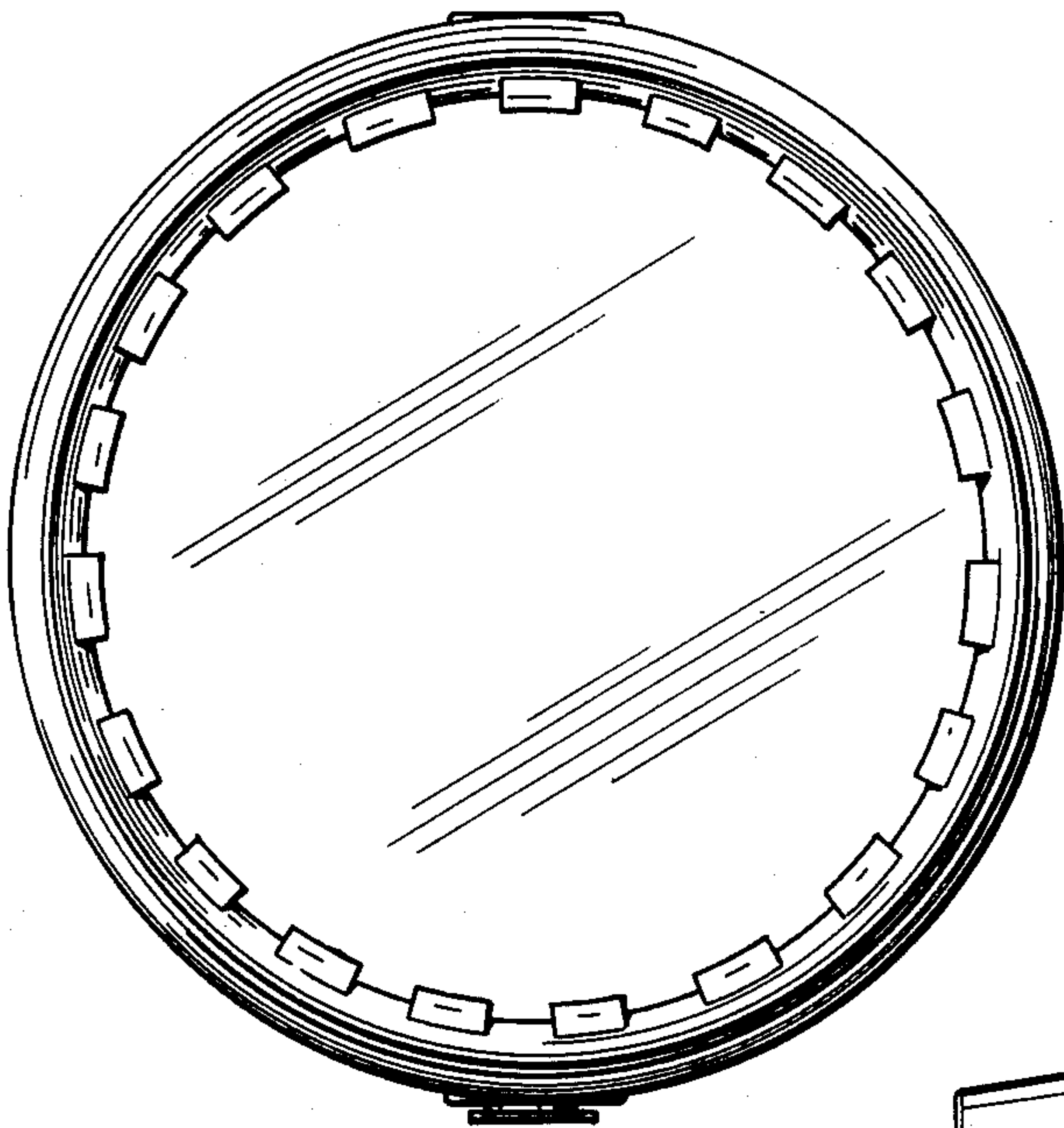


Fig. 4

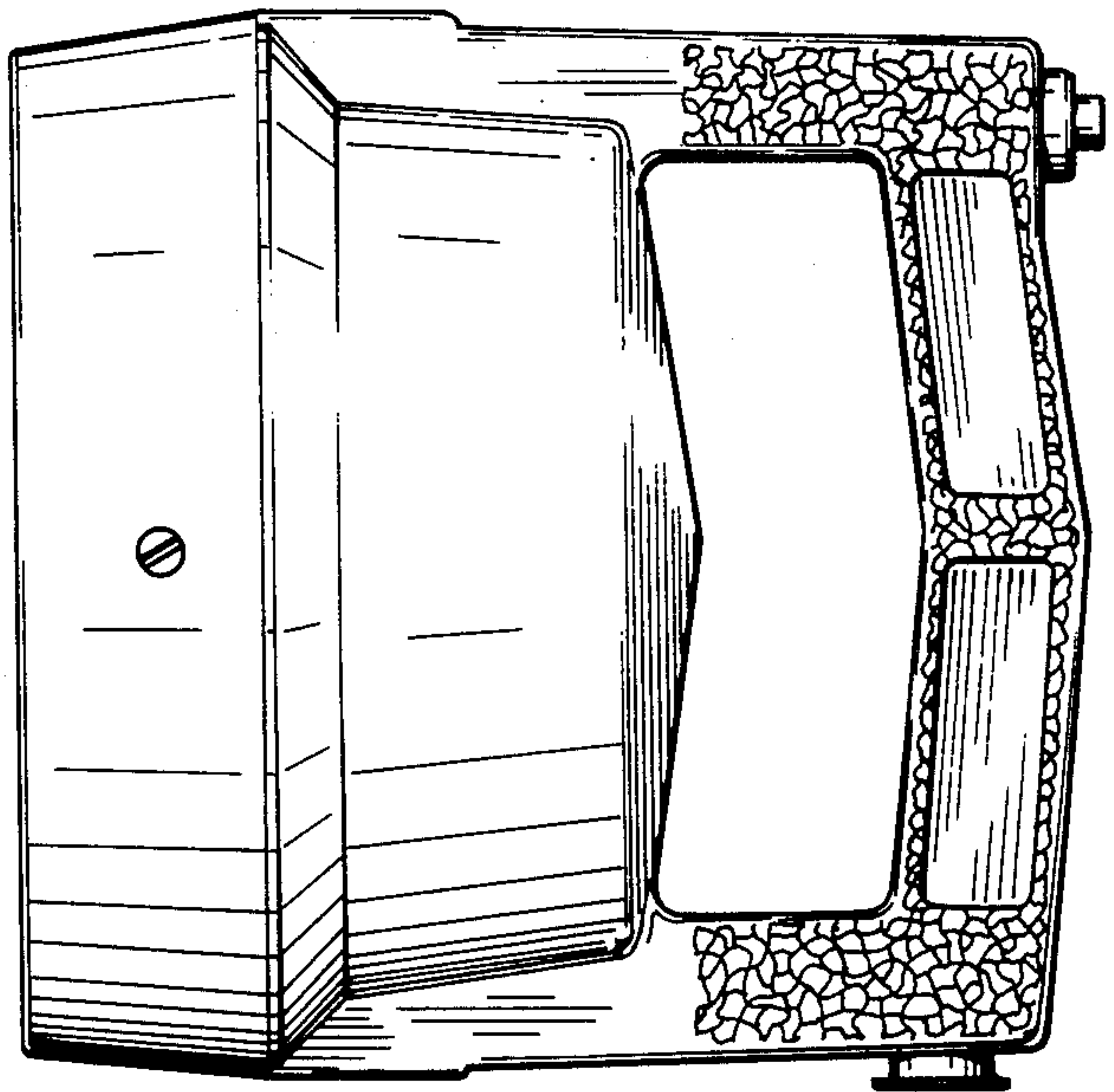


Fig. 5

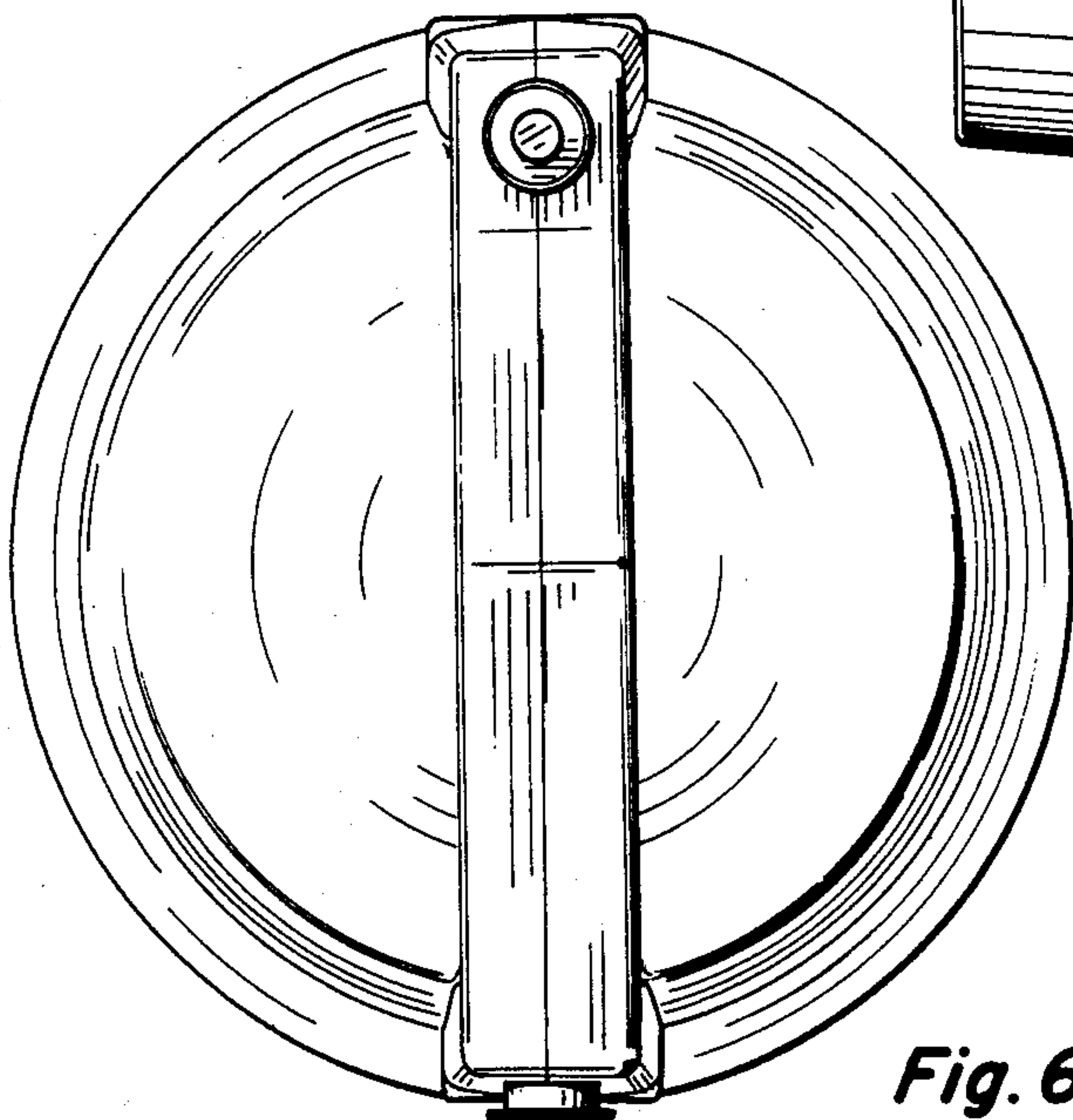


Fig. 6