

# United States Patent [19]

Nizetich

[11] **Des. 246,539**

[45] **\*\* Nov. 29, 1977**

[54] **BLOW DRYER ATTACHMENT**

[76] Inventor: **Andre A. Nizetich, 2159  
Rockinghorse Road, San Pedro,  
Calif. 90732**

[\*\*] Term: **3½ Years**

[21] Appl. No.: **680,489**

[22] Filed: **Apr. 26, 1976**

[51] Int. Cl. .... **D28-03**

[52] U.S. Cl. .... **D28/18**

[58] Field of Search ..... **D28/9, 10, 12-16,  
D28/18, 24, 31; 34/96-101; 219/222; 132/7, 9,  
11 R, 11 A, 118, 122, 124; D11/26; 248/74 B,  
74 PM**

[56] **References Cited**

**U.S. PATENT DOCUMENTS**

D. 207,690 5/1967 Marsano ..... **D28/24**  
1,812,442 6/1931 Lewis ..... **132/7**

2,589,510 3/1952 Ratner et al. .... **132/37 R**  
2,895,486 7/1959 Sayer ..... **132/9**

**FOREIGN PATENT DOCUMENTS**

1,566,990 5/1969 France ..... **132/9**

*Primary Examiner—Joel Stearman*  
*Assistant Examiner—Louis S. Zarfes*  
*Attorney, Agent, or Firm—Francis A. Utecht*

[57] **CLAIM**

The ornamental design for blow dryer attachment, substantially as shown.

**DESCRIPTION**

FIG. 1 is a perspective view of a blow dryer attachment showing my new design, as seen from the left front quarter;

FIG. 2 is a front elevational view thereof;  
FIG. 3 is a right side elevational view thereof;  
FIG. 4 is a left side elevational view thereof;  
FIG. 5 is a top plan view thereof; and  
FIG. 6 is a bottom plan view thereof.

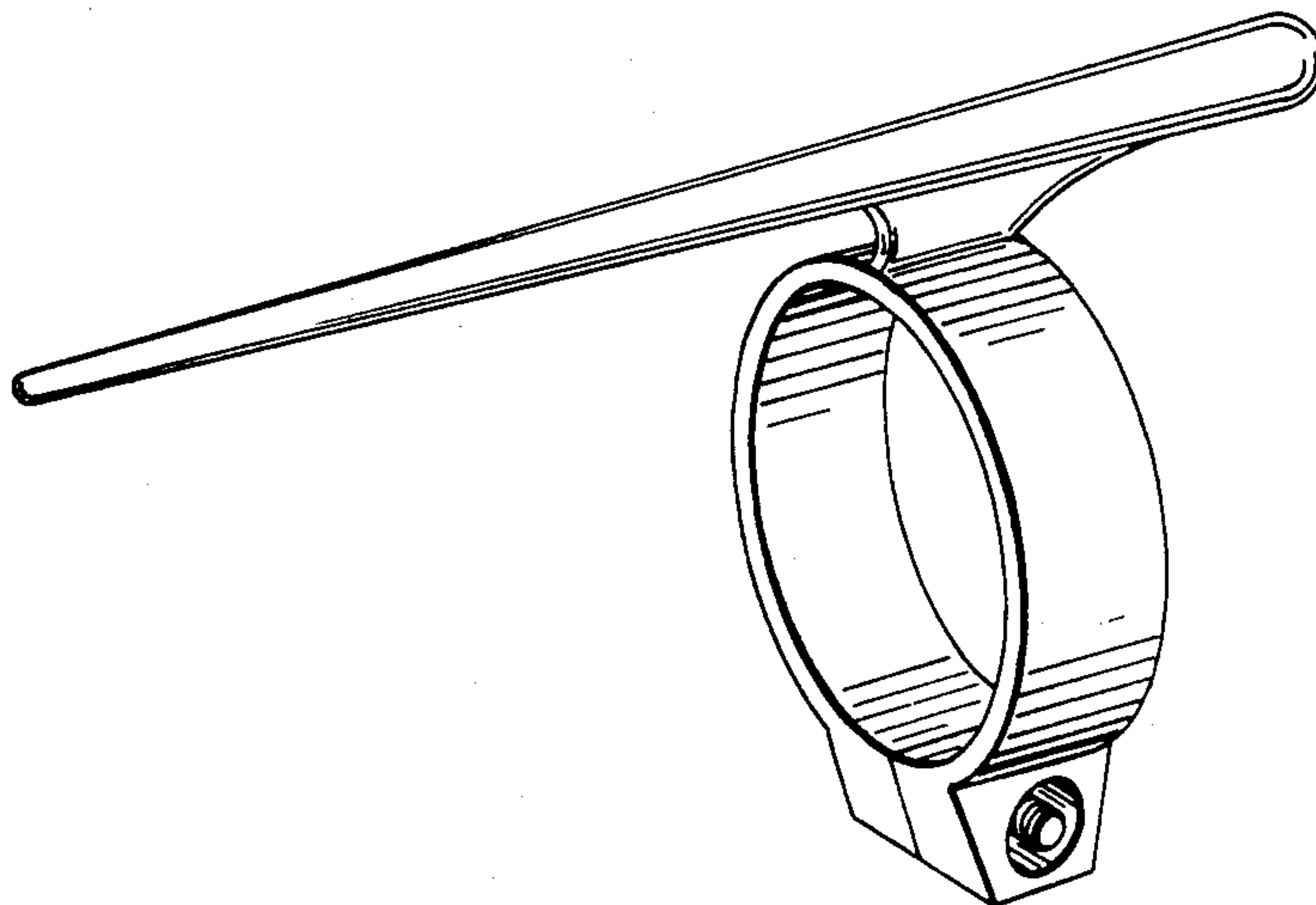


FIG. 1

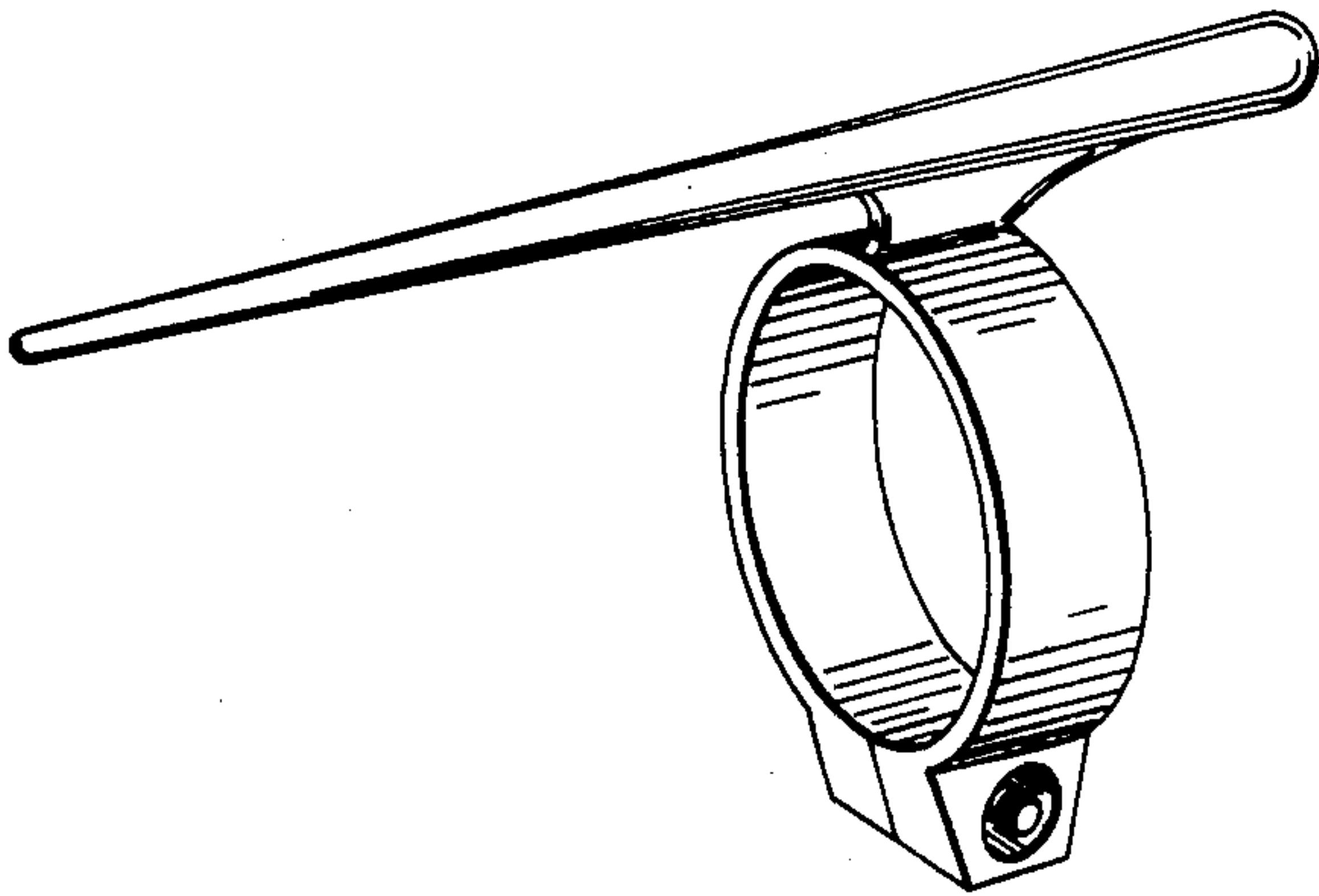


FIG. 2

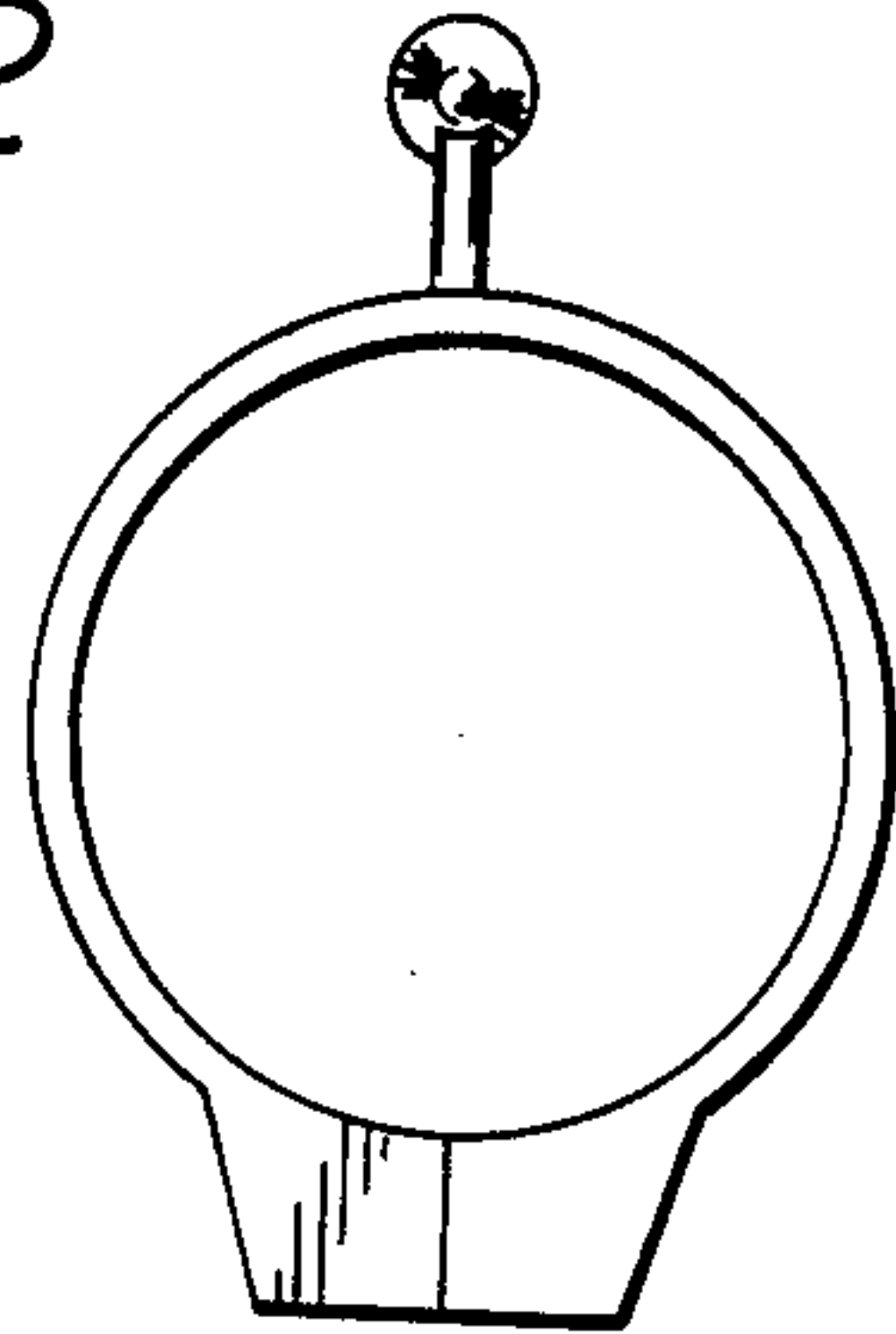


FIG. 3

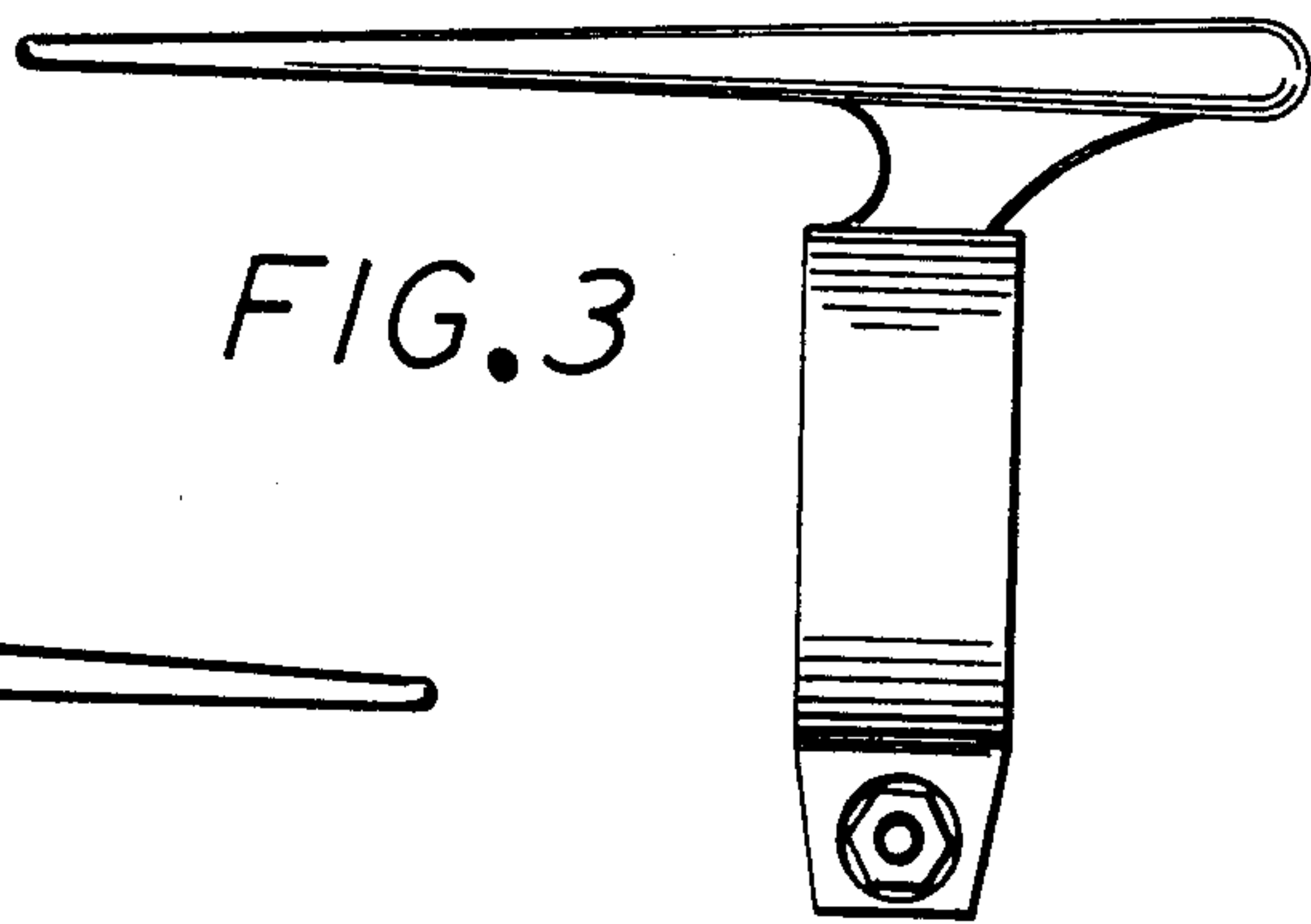


FIG. 4

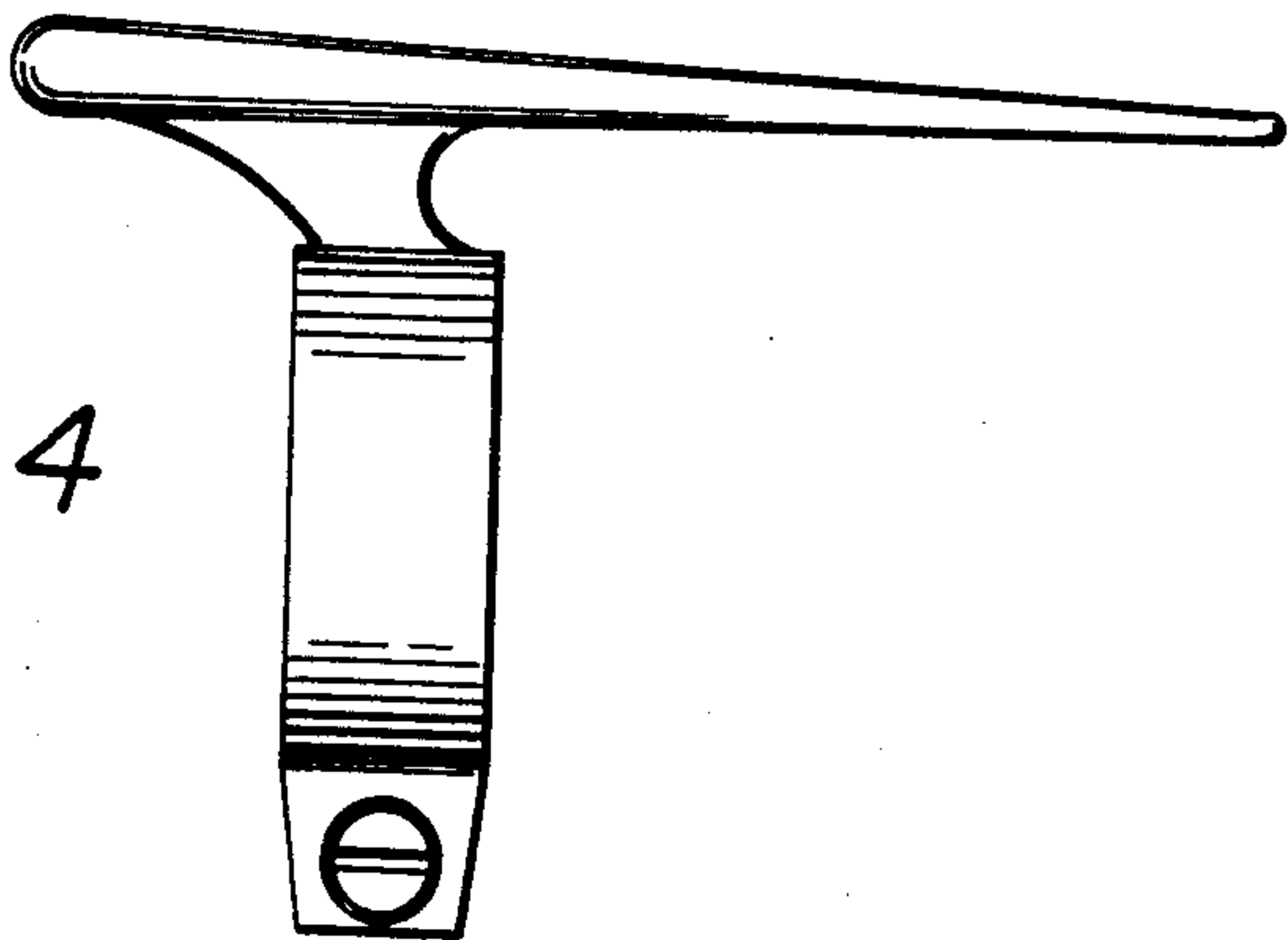


FIG. 5

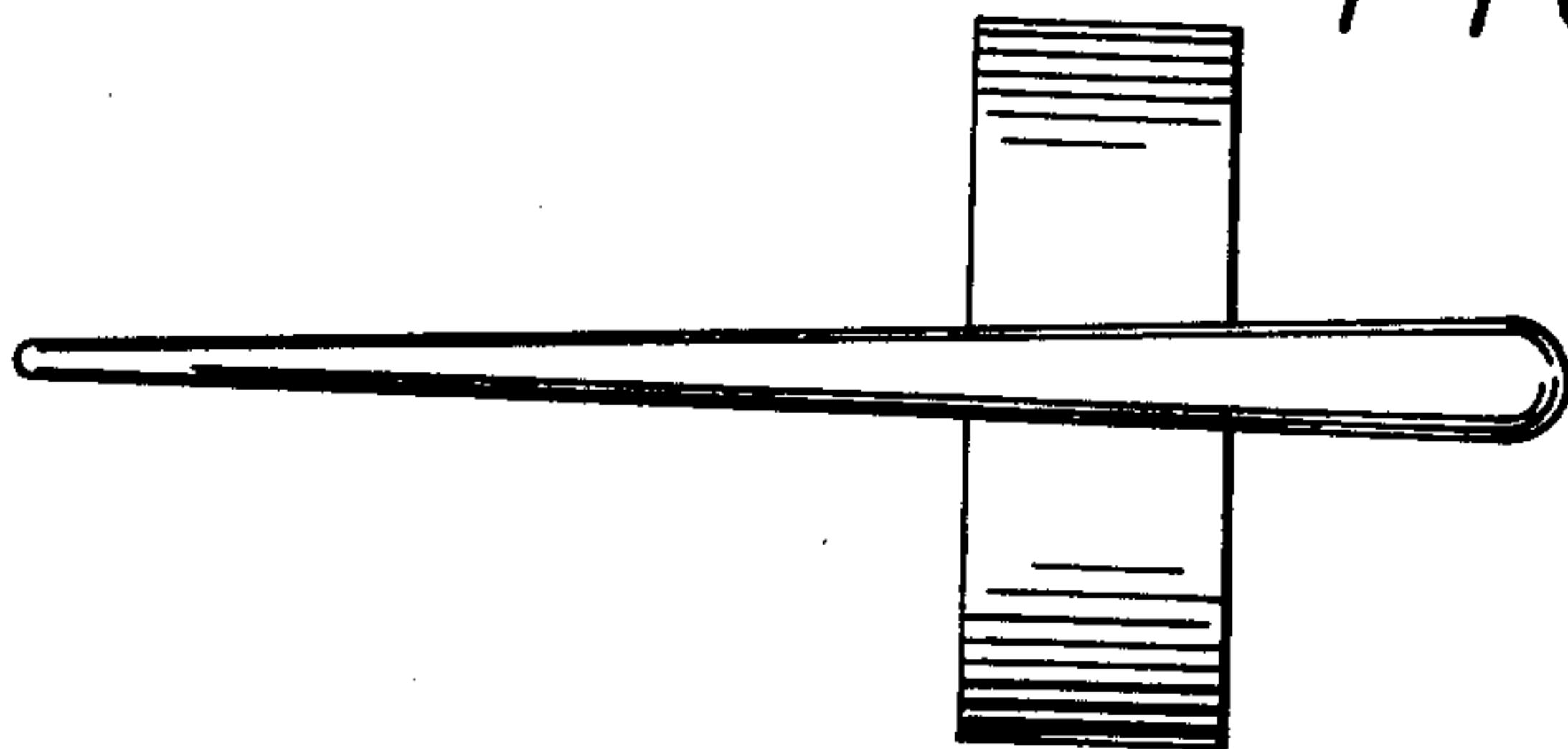


FIG. 6

