

[54] FLEXIBLE SUPPORT ARM FOR A DENTAL UNIT

[76] Inventor: George F. Buckley, 1550 Rollins Road, Burlingame, Calif. 94010

[**] Term: 14 Years

[21] Appl. No.: 653,968

[22] Filed: Jan. 29, 1976

[51] Int. Cl. D24-01

[52] U.S. Cl. D24/5

[58] Field of Search D24/4, 5; 32/22; 248/282, 283; 312/209

[56] References Cited

U.S. PATENT DOCUMENTS

D. 59,934	12/1921	Russell	D24/5
D. 197,406	1/1964	Haas	D24/5
D. 202,618	10/1965	Maurer et al.	24/5
D. 203,114	12/1965	Shaner	D24/5
D. 225,999	1/1973	Krantz	D24/5
3,160,379	12/1964	Gardella	32/22

Primary Examiner—Bernard Ansher
Attorney, Agent, or Firm—Robert W. Dilts

[57] CLAIM

The ornamental design for a flexible support arm for a dental unit, as shown and described.

DESCRIPTION

FIG. 1 is a top perspective view of a flexible support arm for a dental unit showing my new design; FIG. 2 is a top plan view in an alternate position; FIG. 3 is a side elevation thereof; FIG. 4 is a bottom plan view thereof; FIG. 5 is a rear end elevational thereof; FIG. 6 is a cross-section taken on line 6—6 of FIG. 3; FIG. 7 is a cross-section taken on line 7—7 of FIG. 3; FIG. 8 is a front end elevation; FIG. 9 is a top plan view taken at a reduced scale in an alternative position; FIG. 10 is a top plan view taken at a reduced scale in a further alternative position; FIG. 11 is a side elevation taken on a reduced scale in an alternative position; and FIG. 12 is a side elevation taken at a reduced scale in a further alternative position. The broken lines are shown for illustrative purposes only.

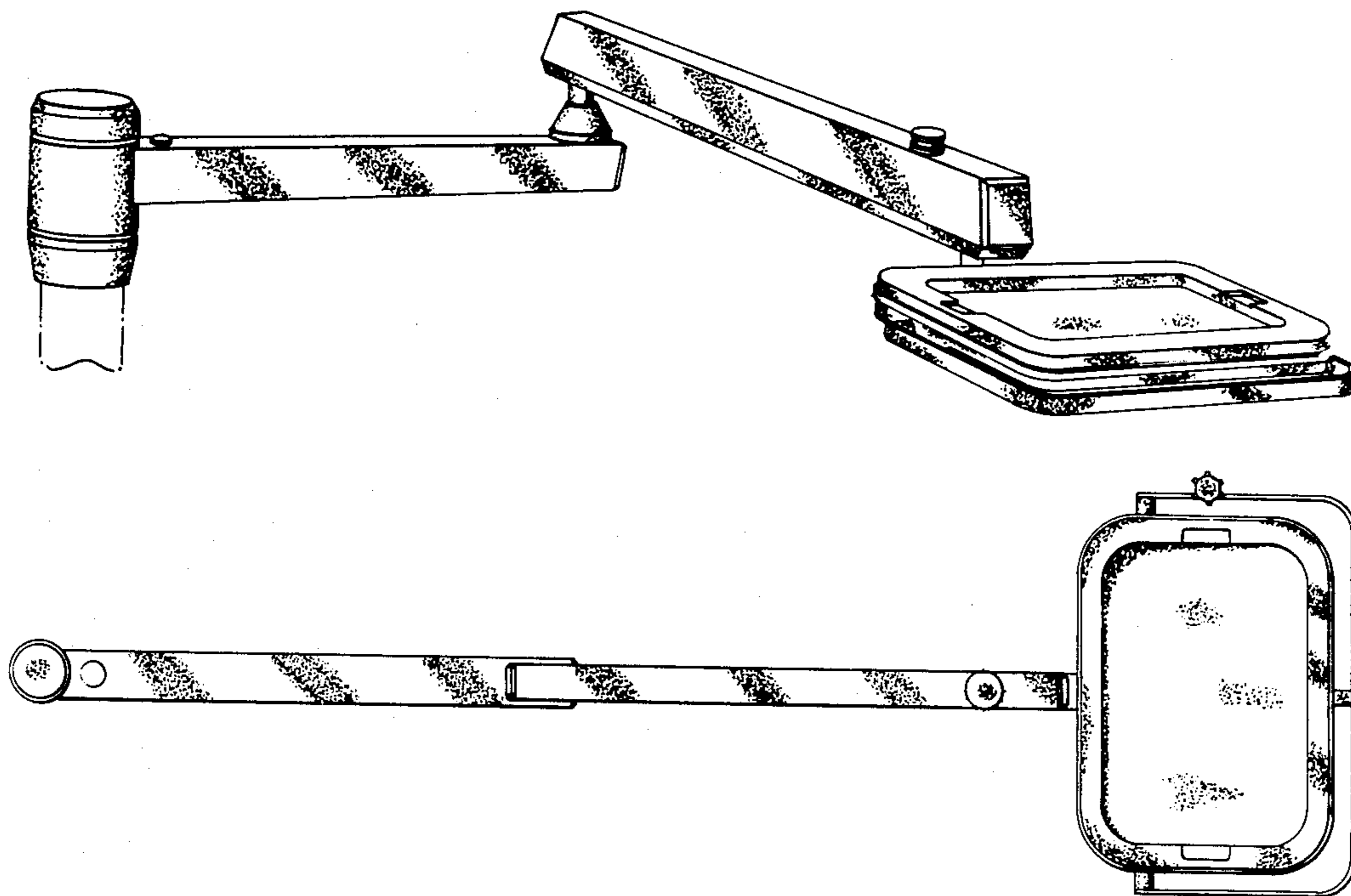


FIG - 1

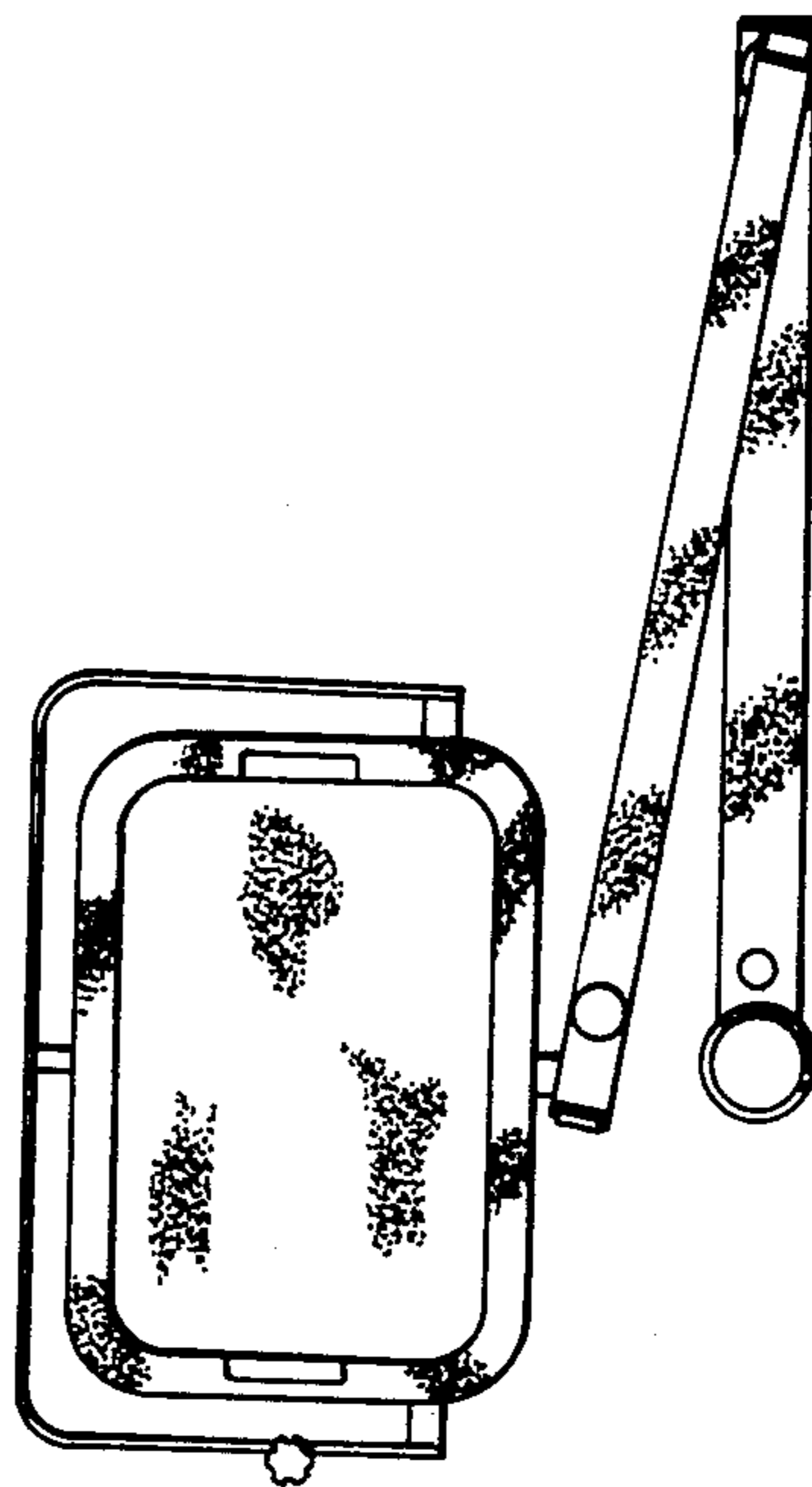
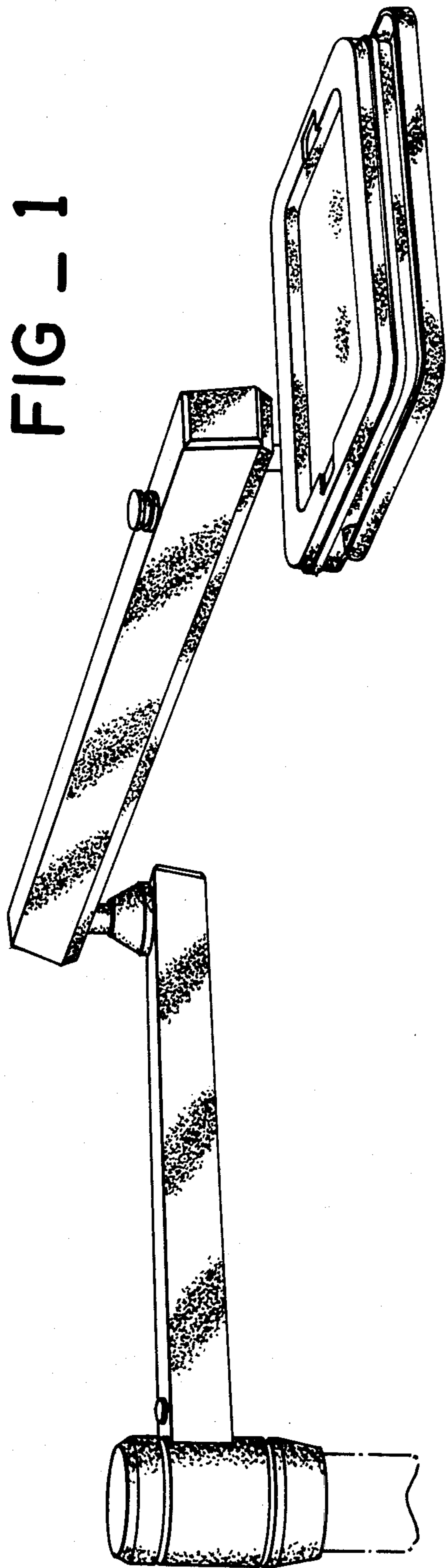
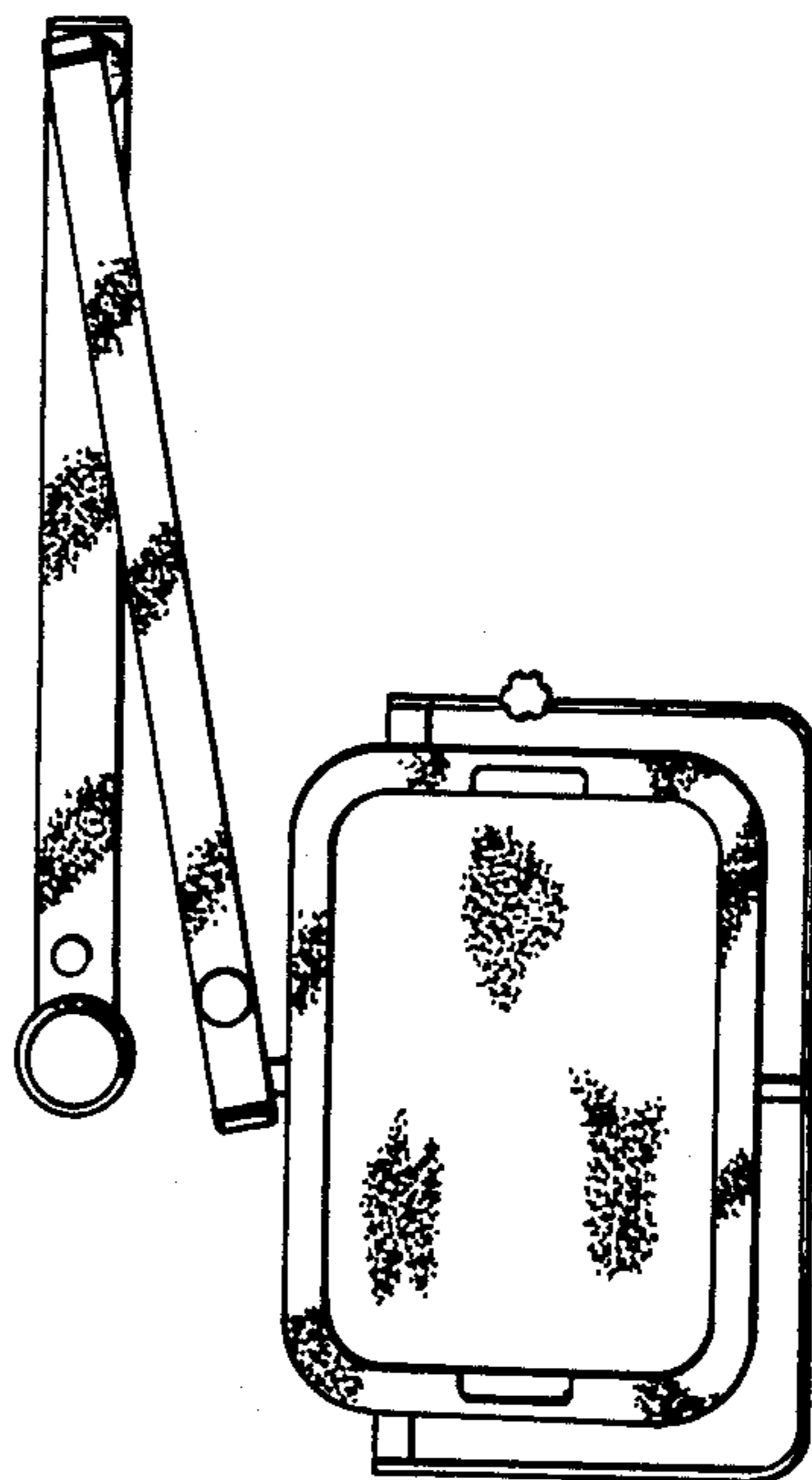


FIG - 9

FIG - 10



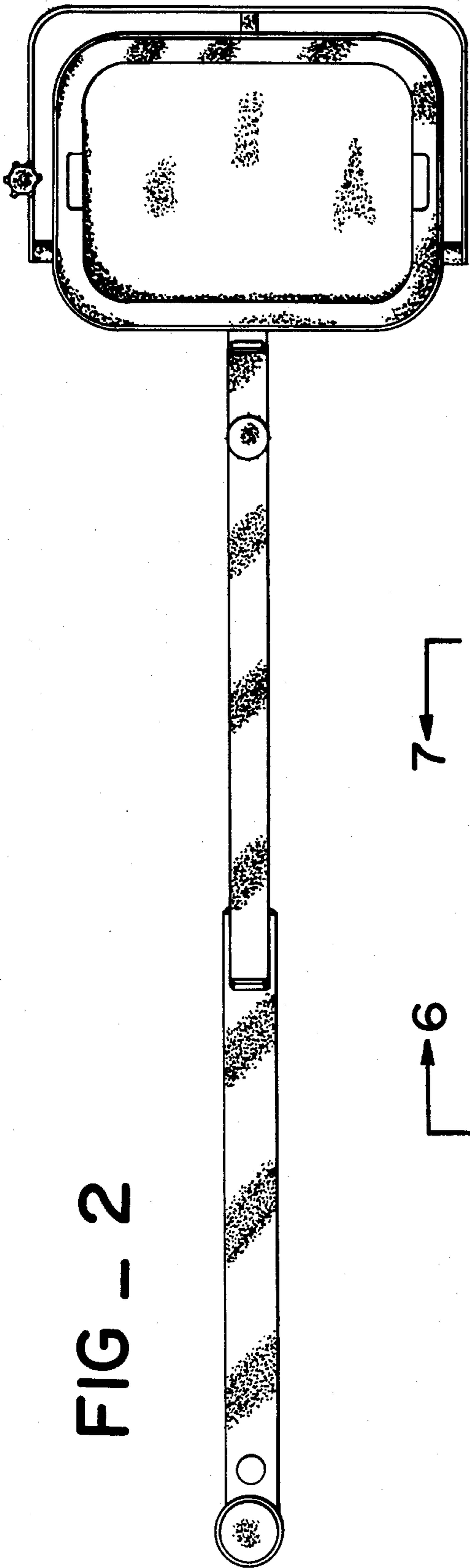


FIG - 2

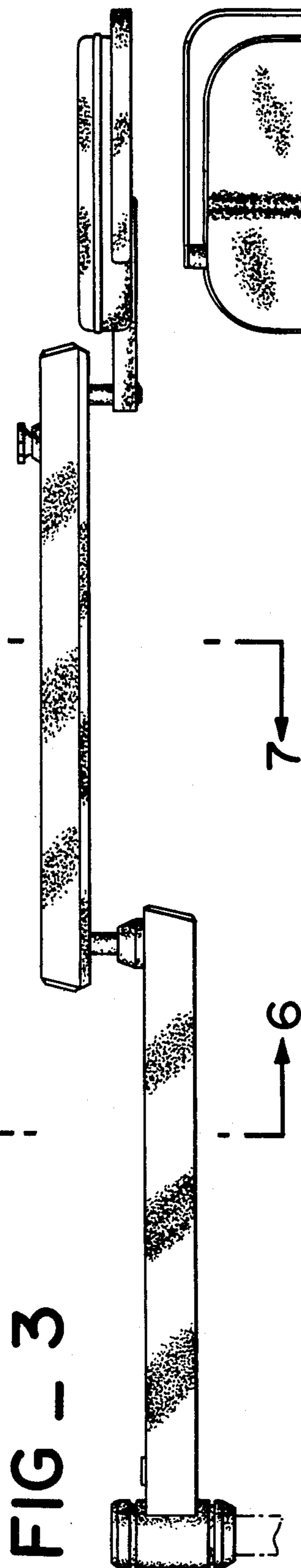


FIG - 3

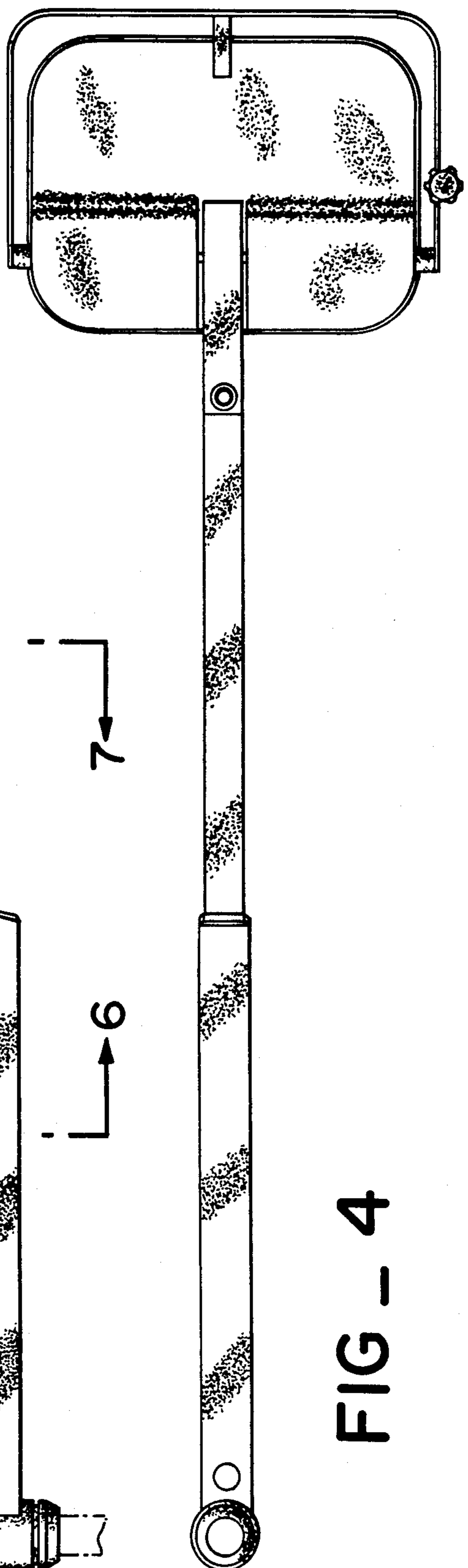


FIG - 4

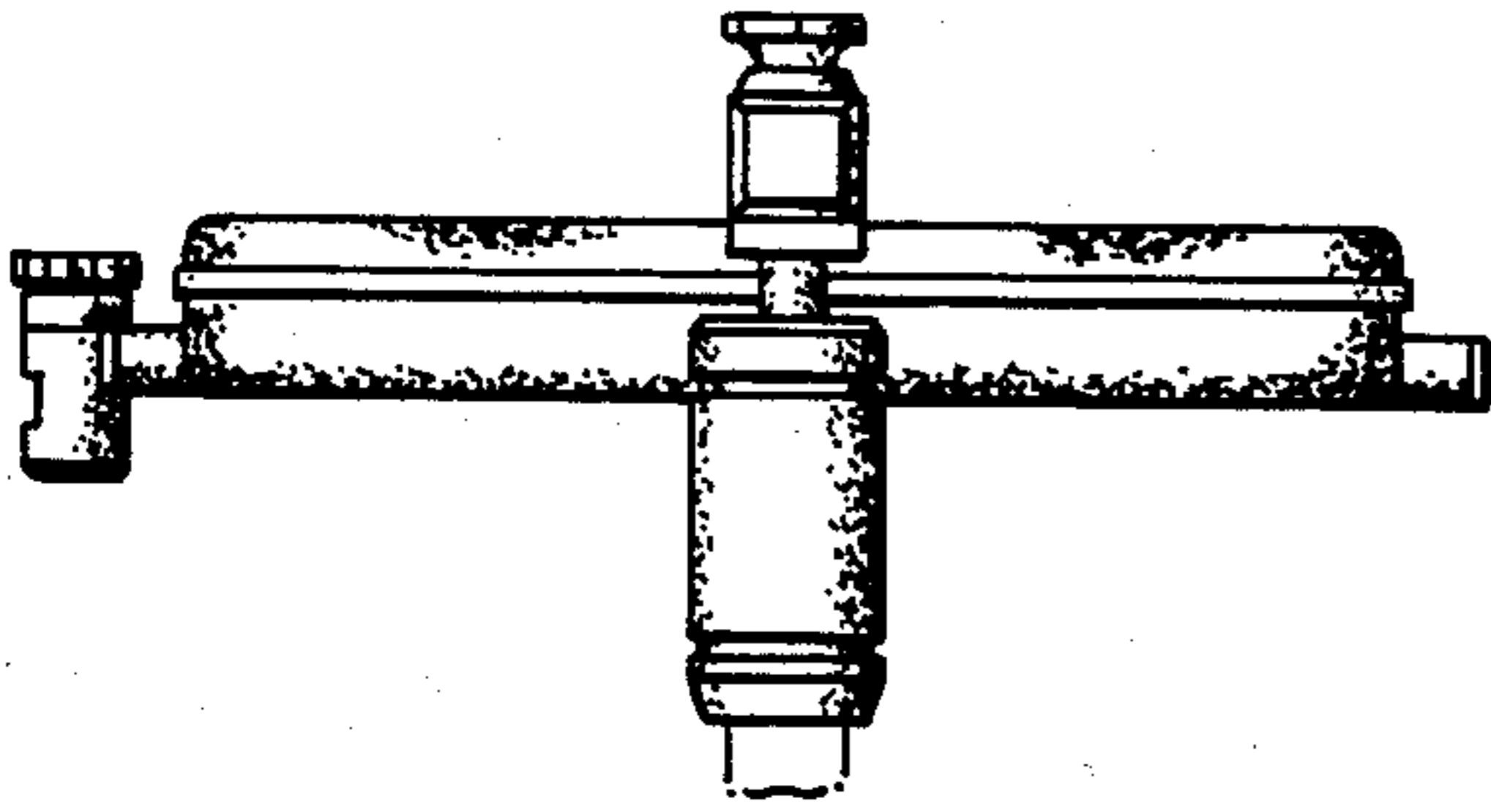


FIG _ 5

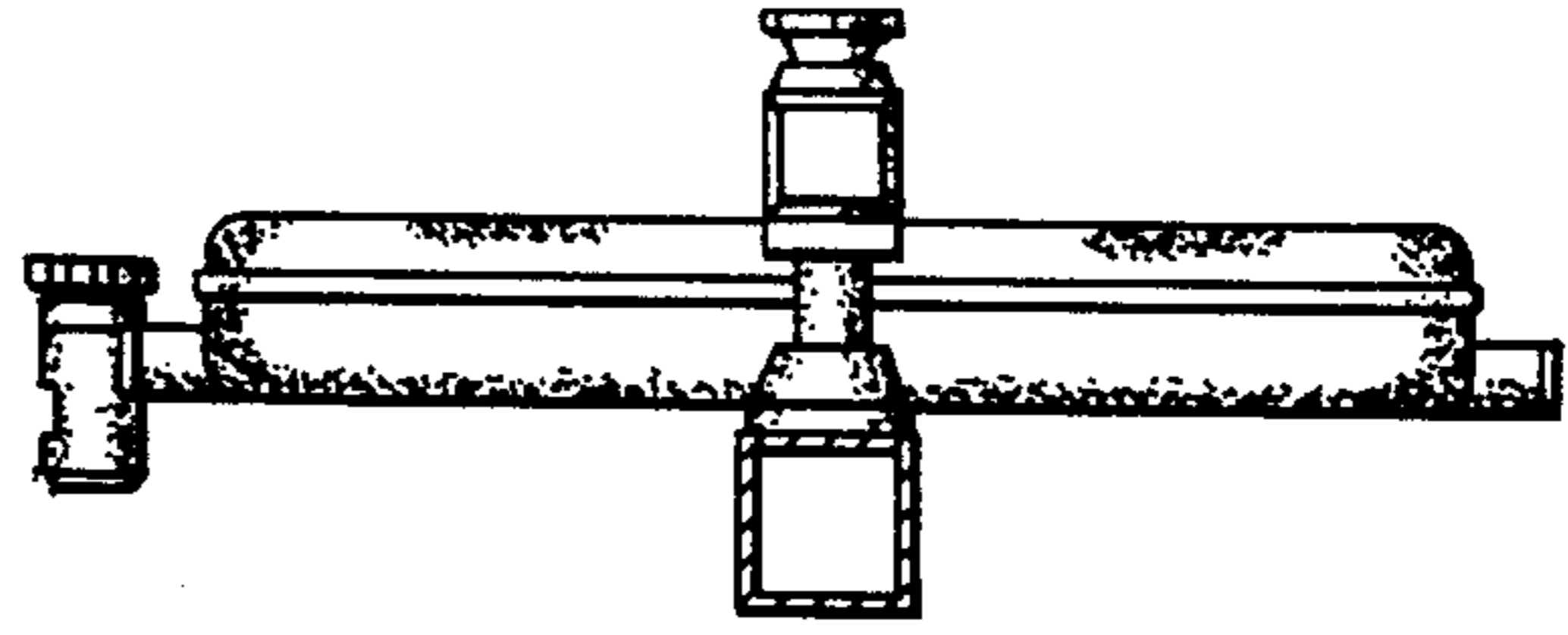


FIG _ 6



FIG _ 7

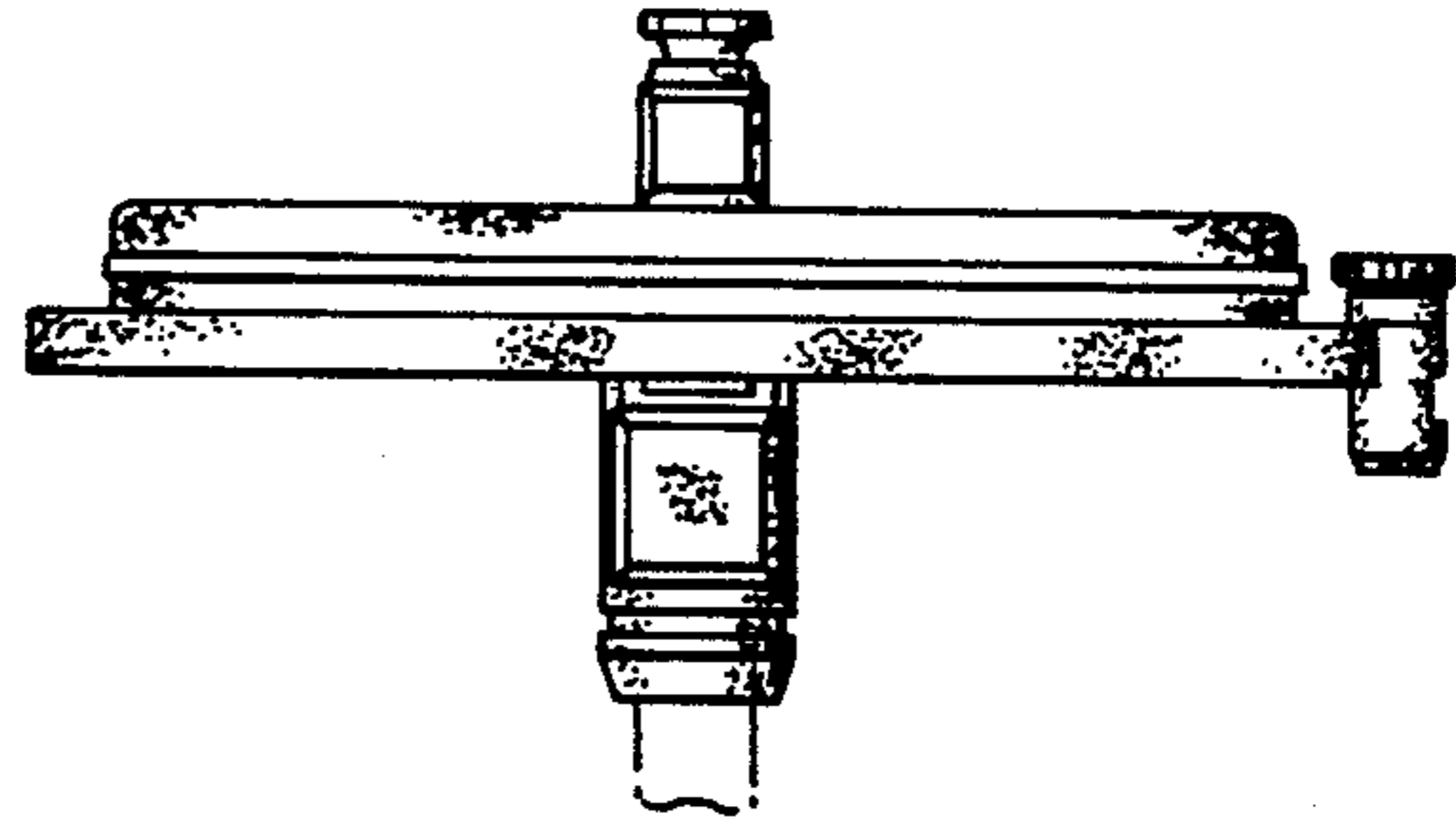


FIG _ 8

FIG _ 11

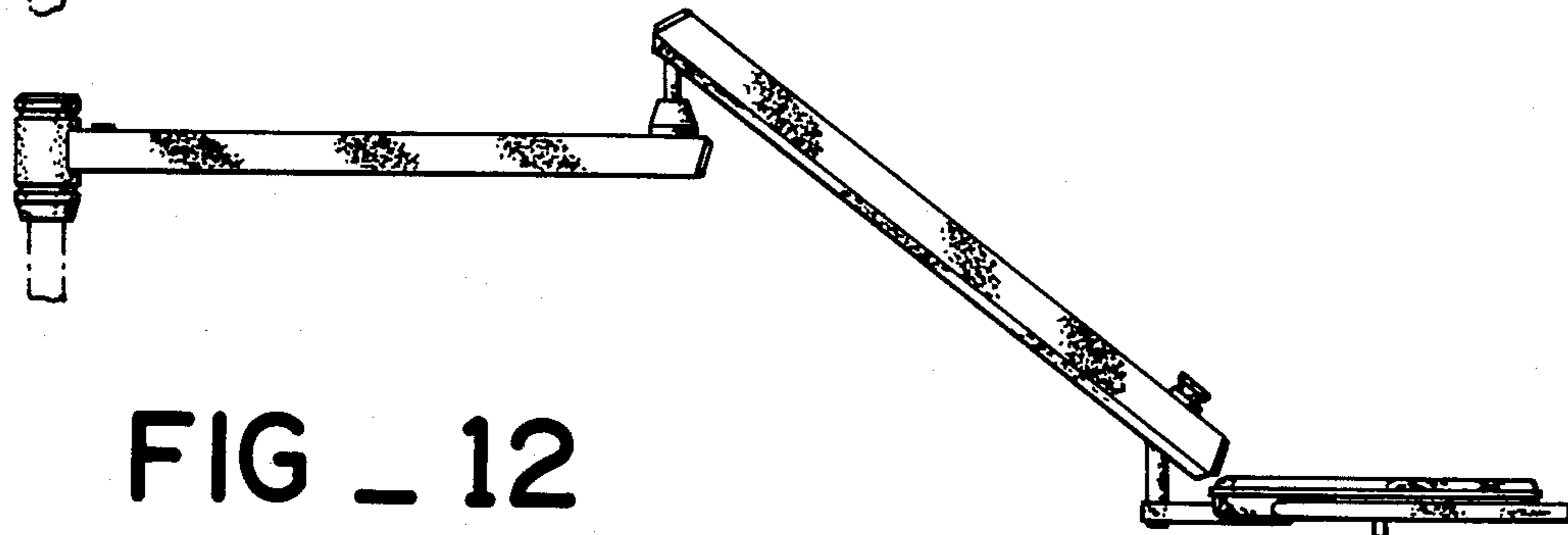
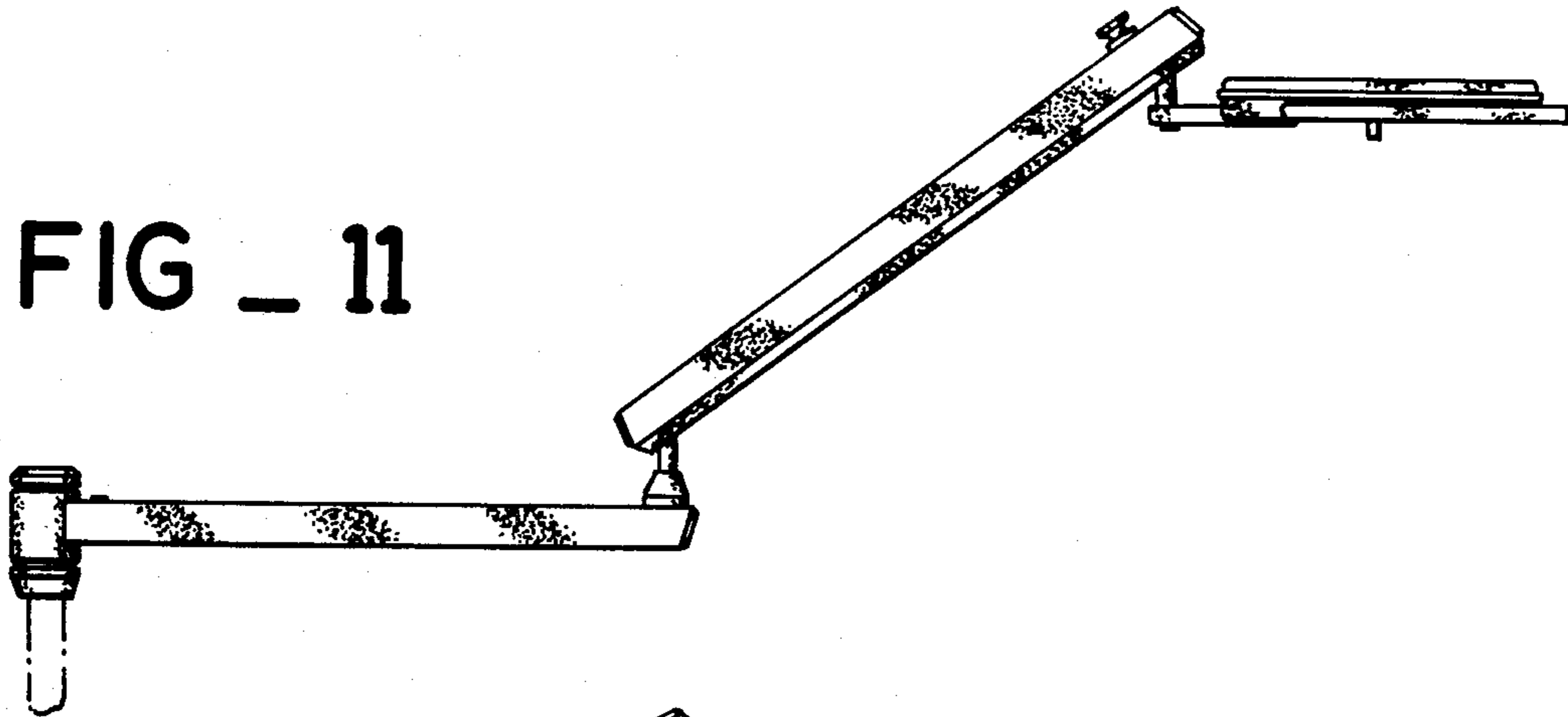


FIG _ 12