

[54] LURE TRANSFER ASSEMBLY

[75] Inventor: Orval Gene Ingram, Oklahoma City, Okla.

[73] Assignee: James M. Brewer, Oklahoma City, Okla.

[**] Term: 14 Years

[21] Appl. No.: 652,551

[22] Filed: Jan. 26, 1976

[51] Int. Cl. D22-05

[52] U.S. Cl. D22/30

[58] Field of Search D22/27, 28, 29, 30;
43/42.02, 42.05, 42.09, 42.1, 42.11, 42.15, 42.19,
42.25, 42.22, 42.31, 42.32, 42.35, 42.36, 42.37,
42.38, 42.39, 42.4, 42.45, 42.46, 42.47, 42.48,
44.9, 43.1, 43.11, 43.12, 17

[56] References Cited

U.S. PATENT DOCUMENTS

3,221,434 12/1965 Moore 43/42.02
3,323,247 6/1967 Murray D22/30 A

Primary Examiner—A. Hugo Word
Attorney, Agent, or Firm—Jerry J. Dunlap

[57] CLAIM

The ornamental design for a lure transfer assembly, as shown and described.

DESCRIPTION

FIG. 1 is a side elevational view of the lure transfer assembly of the present invention.

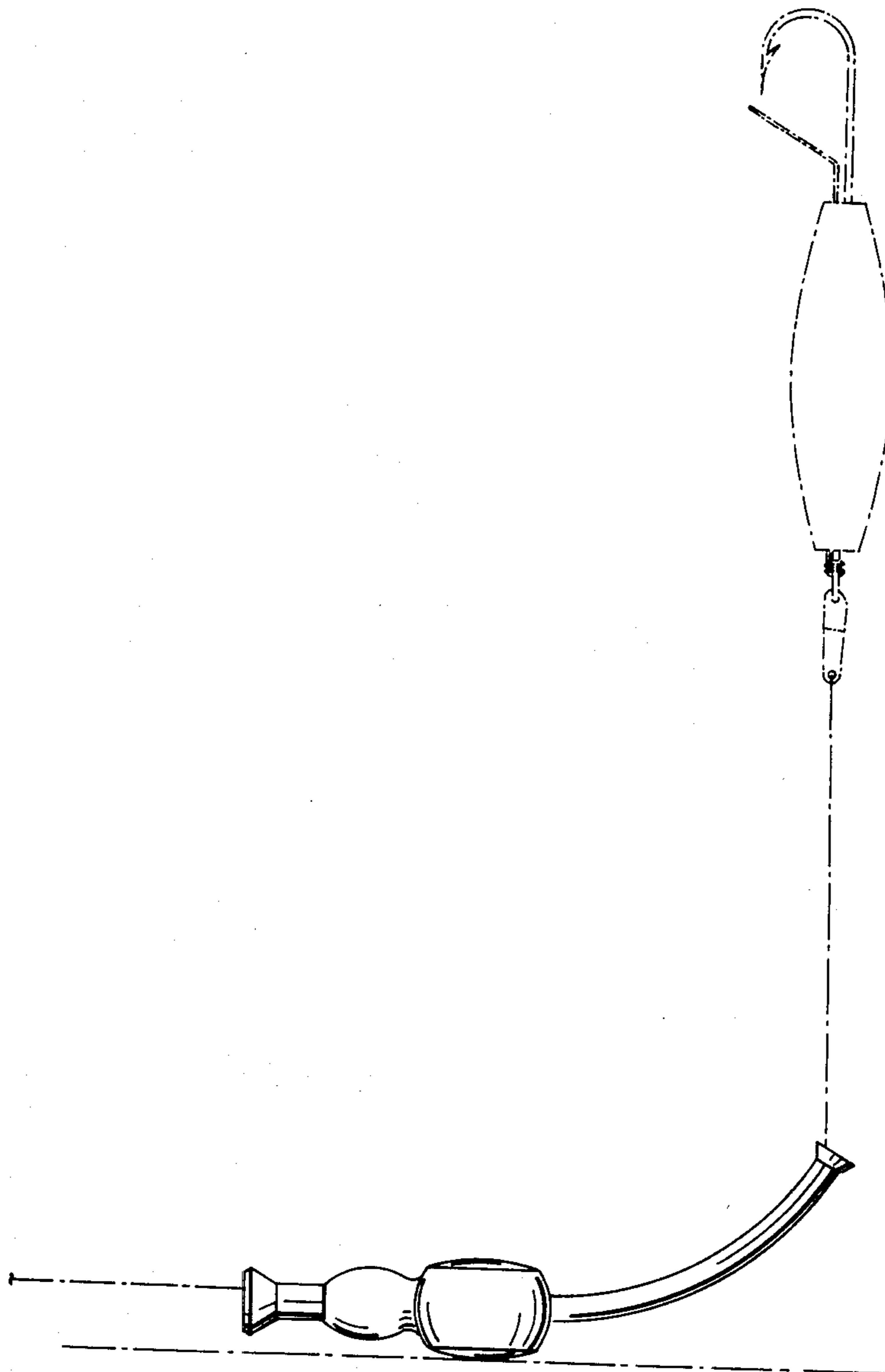
FIG. 2 is a top plan view of the apparatus of FIG. 1.

FIG. 3 is a bottom plan view of the apparatus of FIG. 1.

FIG. 4 is a view of one end of the apparatus of FIG. 1.

FIG. 5 is a view of the other end of the apparatus of FIG. 1.

The broken lines showing the lure and line in FIG. 1 are for illustrative purposes only and form no part of the claimed article.



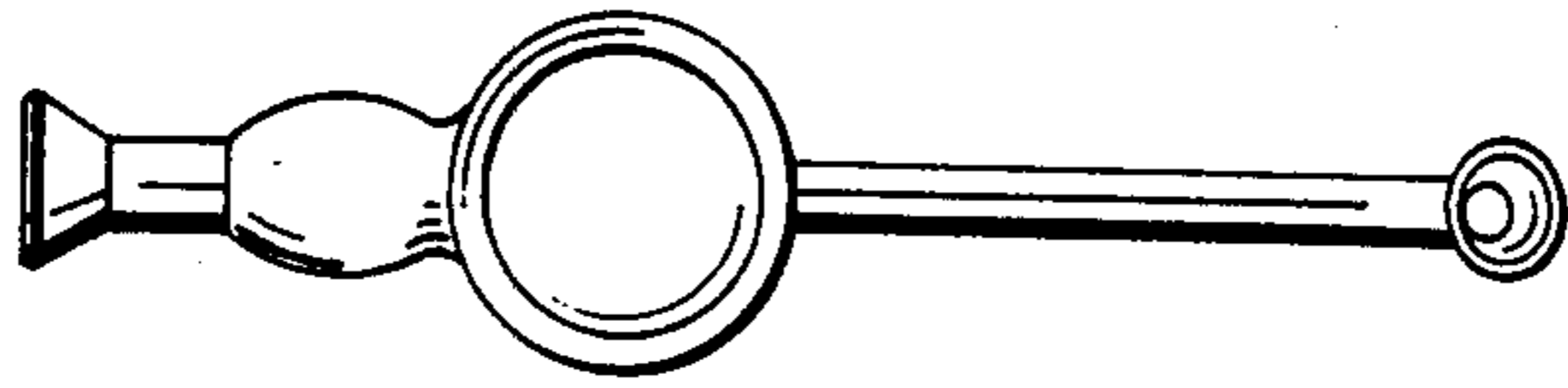


FIG. 2

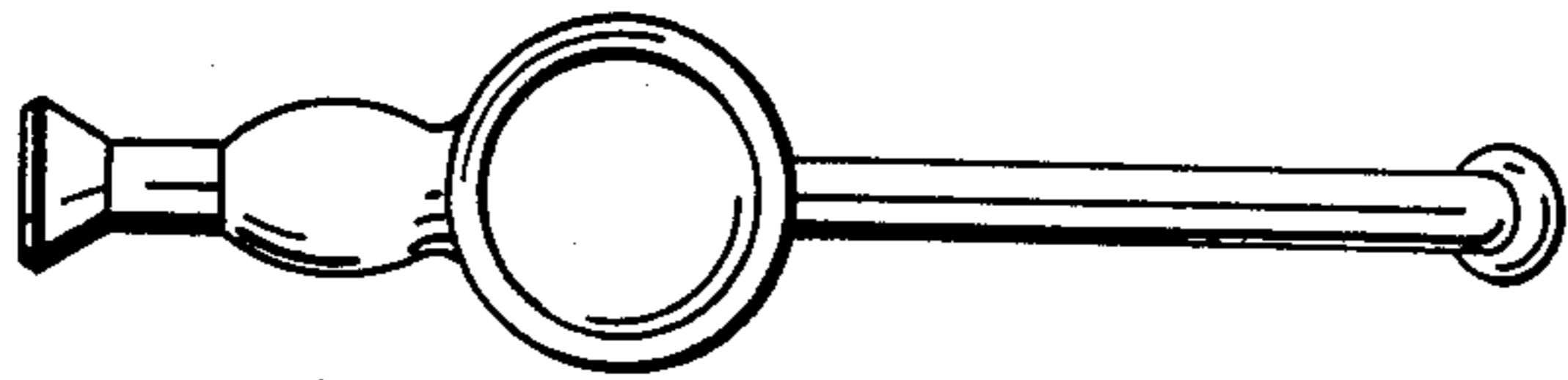


FIG. 3

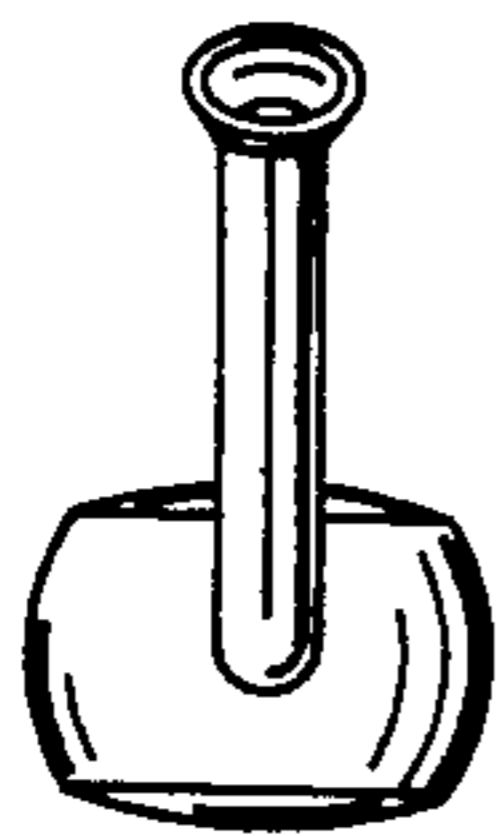


FIG. 4

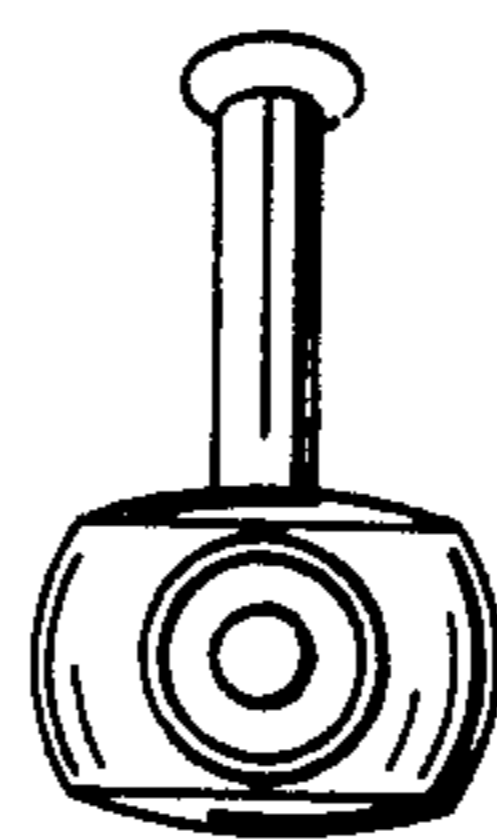


FIG. 5

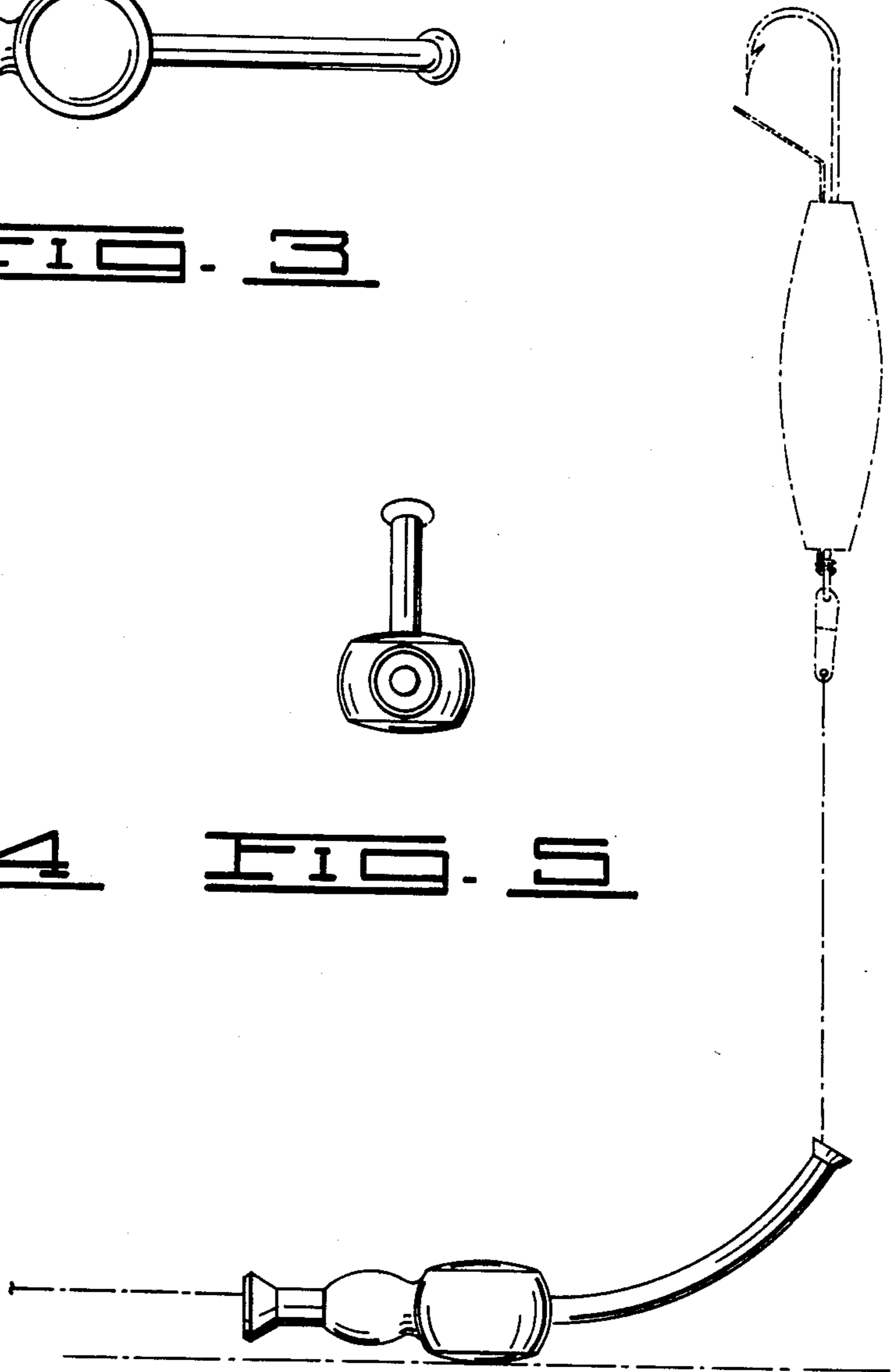


FIG. 1