

[54] **TRIPOD HEAD FOR CAMERAS OR OTHER INSTRUMENTS**

[75] **Inventor:** Robert Eric Miller, Rose Bay, Australia

[73] **Assignee:** Miller-Universal (Aust.) Pty. Ltd., Rushcutters Bay, Australia

[\*\*] **Term:** 14 Years

[21] **Appl. No.:** 670,005

[22] **Filed:** Mar. 24, 1976

[30] **Foreign Application Priority Data**

Oct. 3, 1975 Australia ..... 67876/75

[51] **Int. Cl.** ..... D16-05

[52] **U.S. Cl.** ..... D16/46

[58] **Field of Search** ..... D10/66; D16/45, 46, D16/47; 248/179, 180, 183

[56]

**References Cited**

**U.S. PATENT DOCUMENTS**

D. 160,136	9/1950	Welt .....	D16/46
2,459,676	1/1949	Axtell .....	D16/46
3,353,776	11/1967	Clemens .....	248/183
3,712,571	1/1973	Miller .....	248/183
3,870,265	3/1975	Osborne .....	248/183
3,958,787	5/1976	Miller .....	248/183
4,010,923	3/1977	Miller .....	248/183

*Primary Examiner*—Nelson C. Holtje

*Attorney, Agent, or Firm*—Eric H. Waters

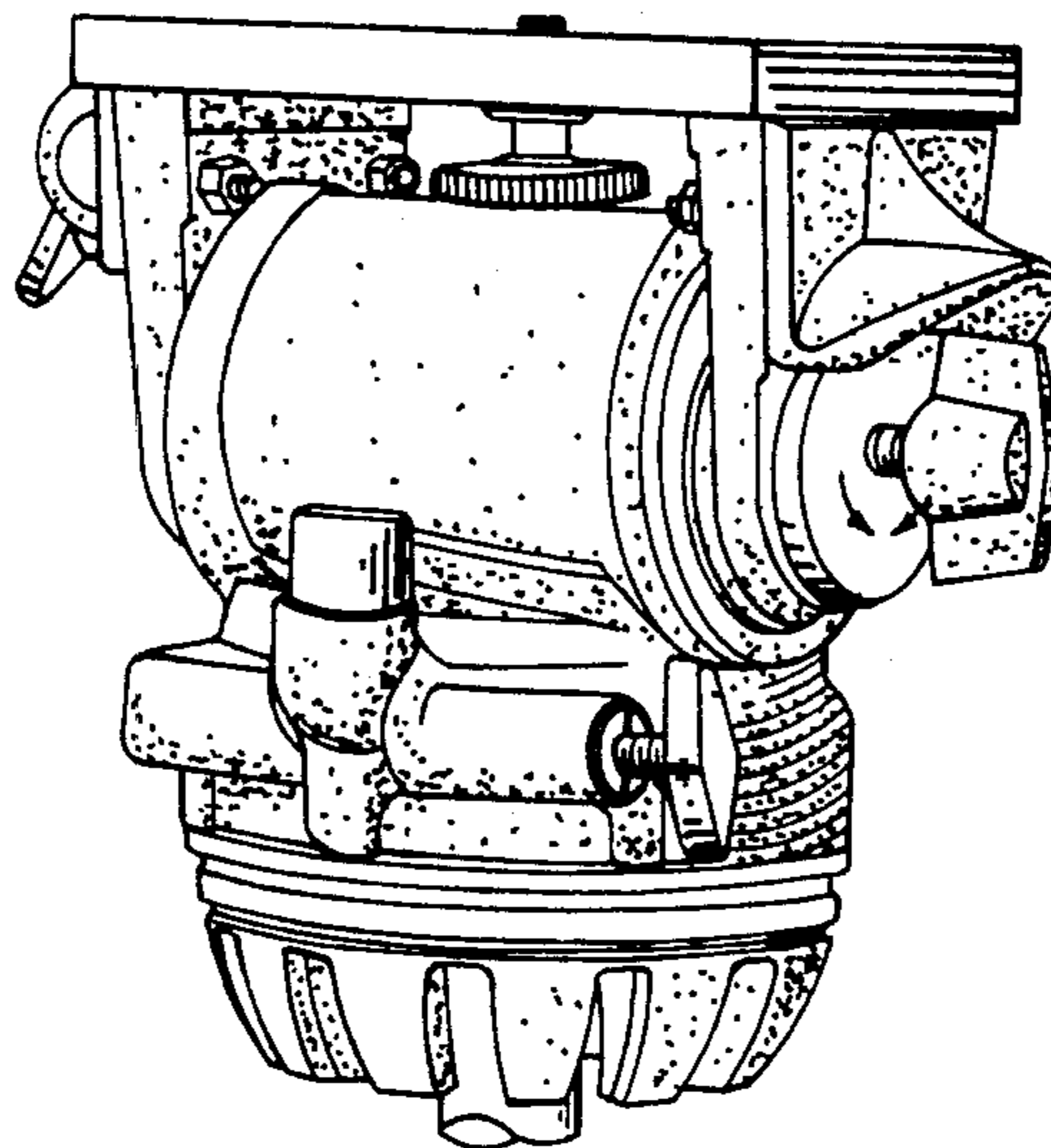
[57]

**CLAIM**

The ornamental design for an tripod head for cameras or other instruments, substantially as shown and described.

**DESCRIPTION**

FIG. 1 is a front elevational view of a tripod head for cameras or other instruments showing my new design; FIG. 2 is a right, front perspective view thereof; FIG. 3 is a left rear perspective view thereof.



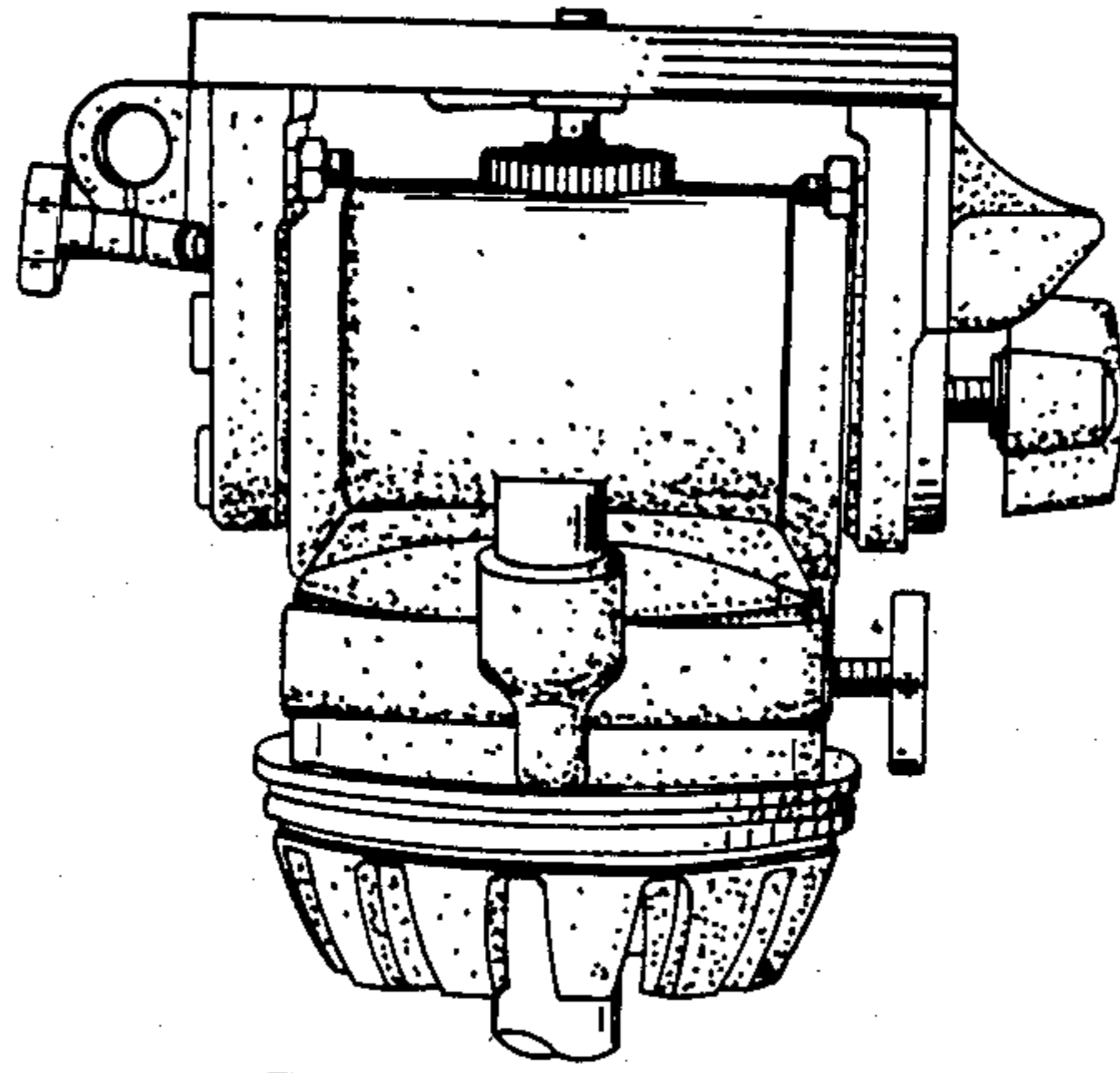


FIG. 1

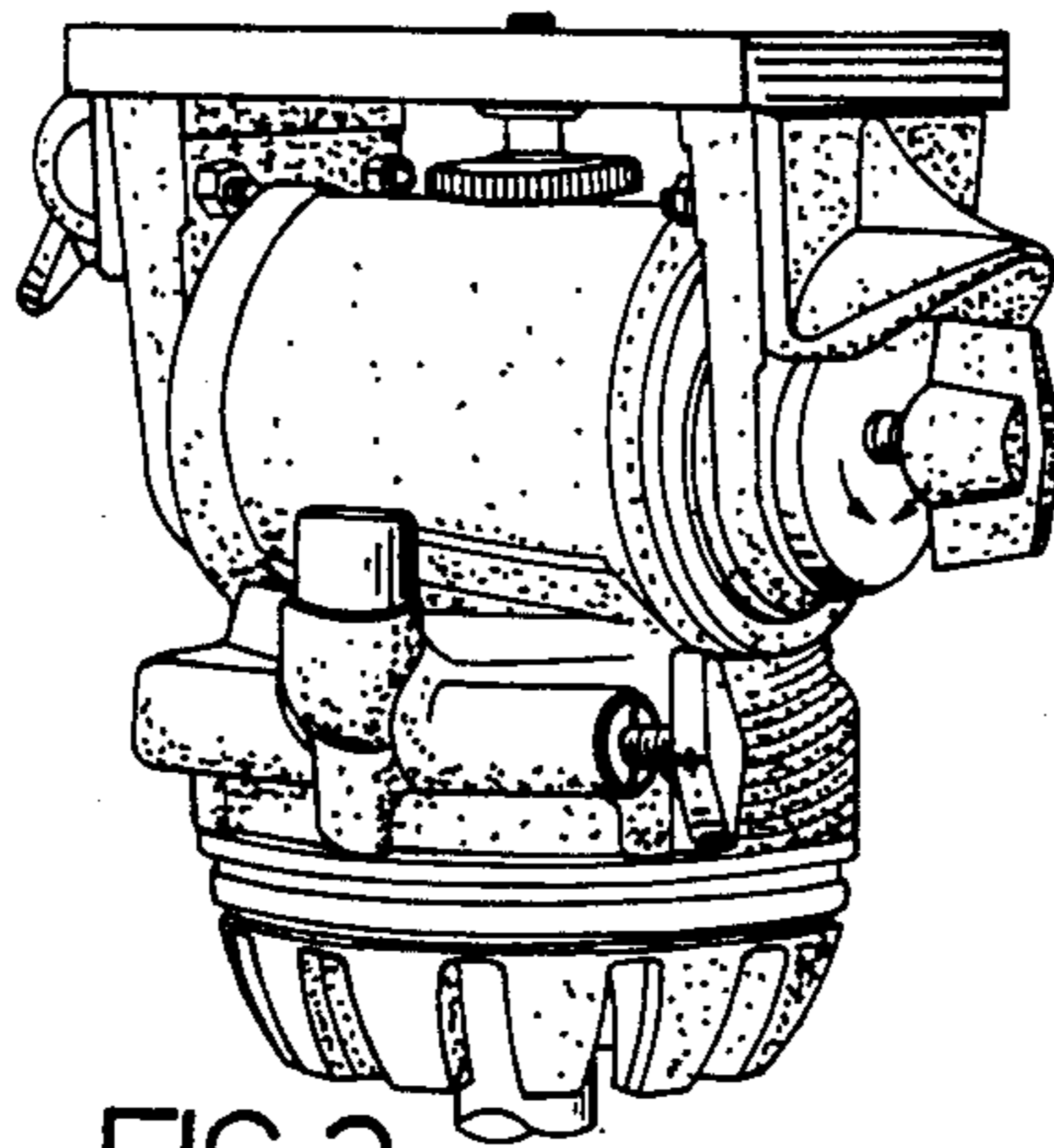


FIG. 2

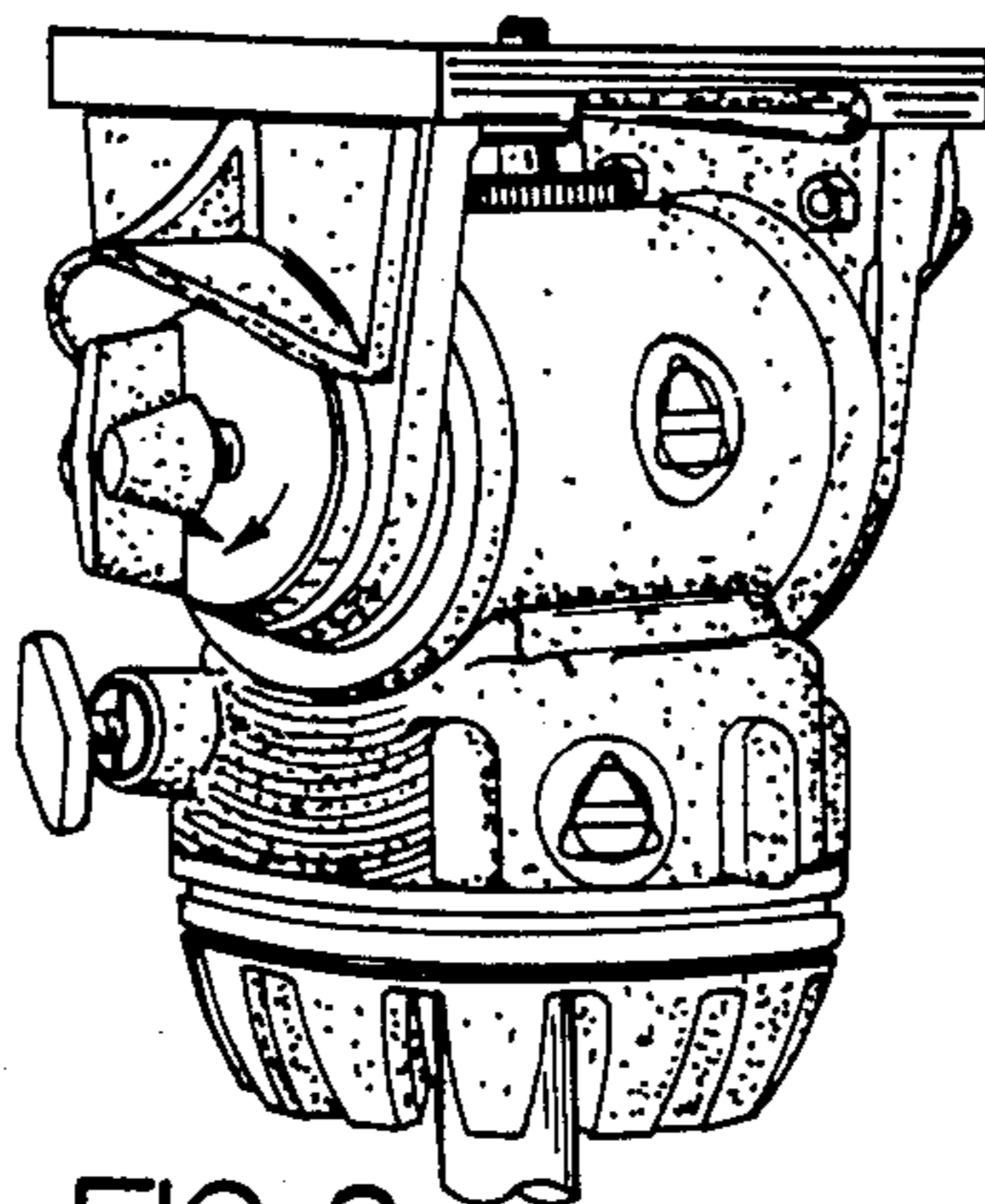


FIG. 3