

- [54] **ELECTROPHOTOGRAPHICAL
 DUPLICATOR**
- [75] Inventor: **Shigeru Kurozumi, Osaka, Japan**
- [73] Assignee: **Sharp Kabushiki Kaisha, Osaka,
 Japan**
- [**] Term: **14 Years**
- [21] Appl. No.: **679,363**
- [22] Filed: **Apr. 22, 1976**
- [30] **Foreign Application Priority Data**
 Oct. 24, 1975 Japan 50-42777
- [51] Int. Cl. **D16-03**
- [52] U.S. Cl. **D16/31**
- [58] Field of Search **D16/27-32;
 355/3 R**

3,684,363	8/1972	Ito et al.	355/3 R
3,873,196	3/1975	Ogawa	355/3 R
3,972,612	8/1976	Komori et al.	355/3 R X

Primary Examiner—Wallace R. Burke
Assistant Examiner—Catherine Kemper
Attorney, Agent, or Firm—Paul D. Flehr

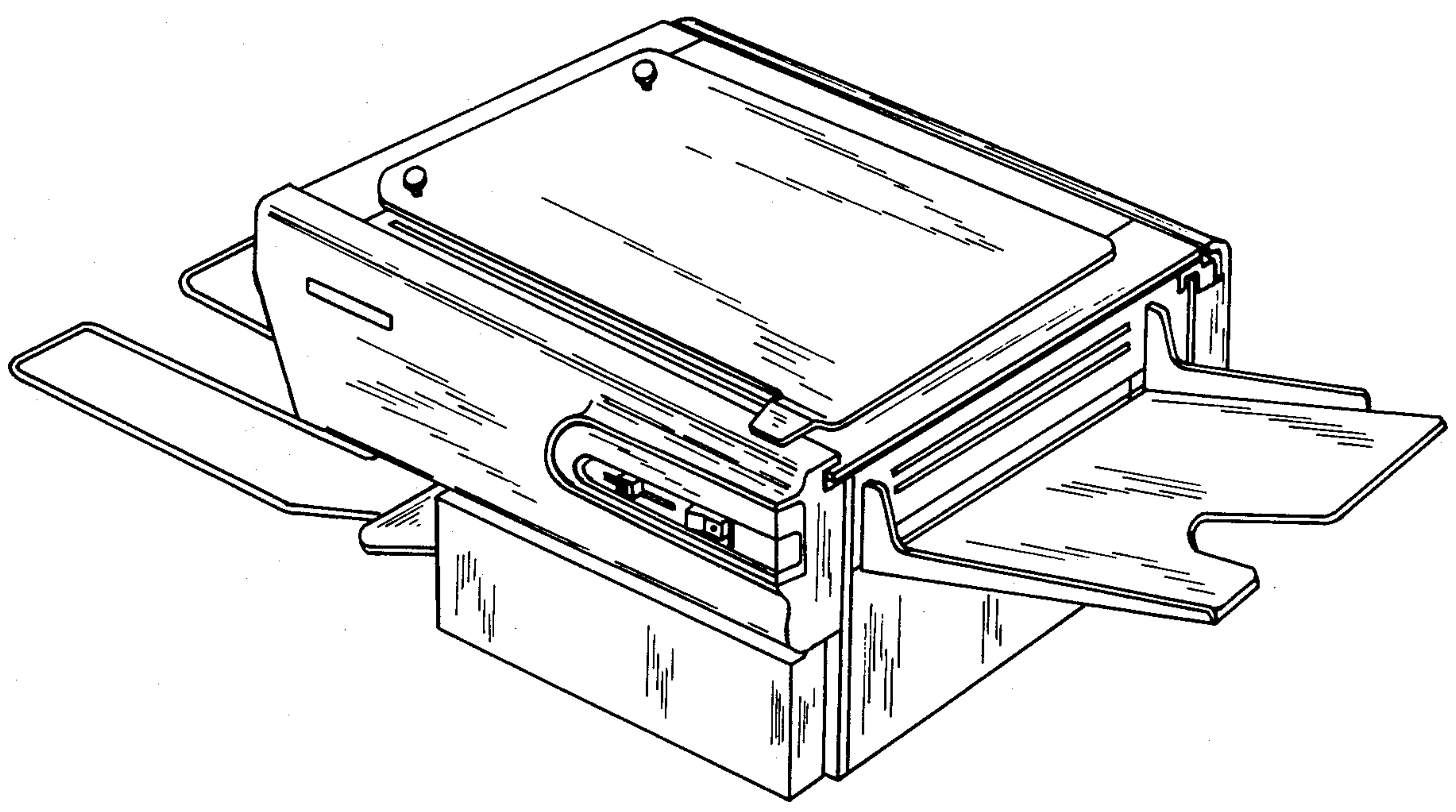
[57] **CLAIM**

The ornamental design for an electrophotographical duplicator, as shown and described.

DESCRIPTION

FIG. 1 is a perspective view of the electrophotographical duplicator showing my new design;
 FIG. 2 is a front elevational view thereof with the input and output trays removed;
 FIG. 3 is a rear elevational view thereof with the input and output trays removed;
 FIG. 4 is a right side elevational view thereof with the input tray removed;
 FIG. 5 is a left side elevational view thereof with the output tray removed;
 FIG. 6 is a plan view thereof with the input and output trays removed; and
 FIG. 7 is a bottom view thereof with the input and output trays removed.

- [56] **References Cited**
U.S. PATENT DOCUMENTS
- | | | | |
|------------|--------|----------------------|--------|
| D. 228,151 | 8/1973 | Hikawa | D16/31 |
| D. 235,230 | 5/1975 | Herr et al. | D16/31 |
| D. 236,915 | 9/1975 | Hideshima | D16/31 |
| D. 239,659 | 4/1976 | Katayama et al. | D16/31 |



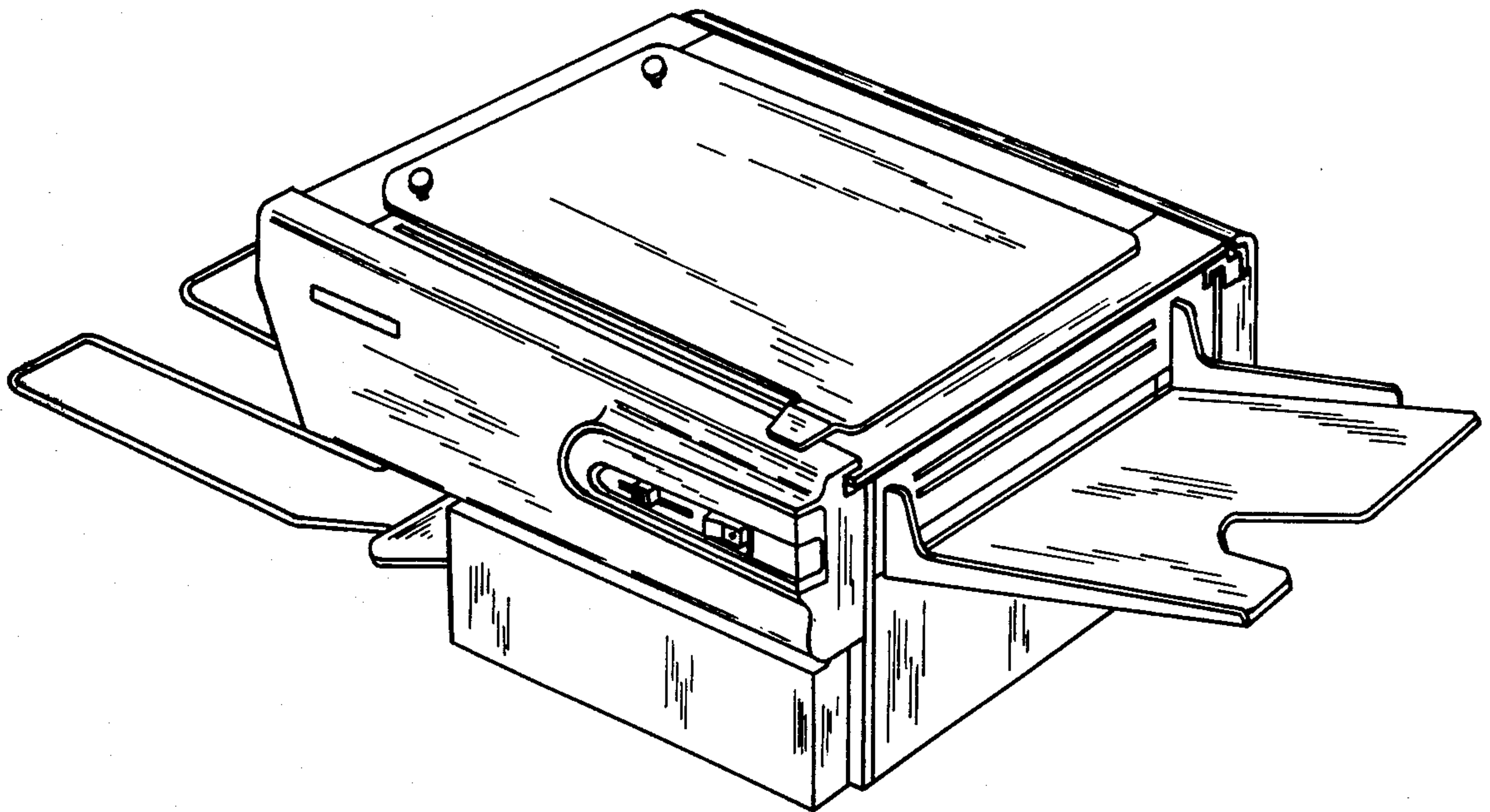


FIG. — 1

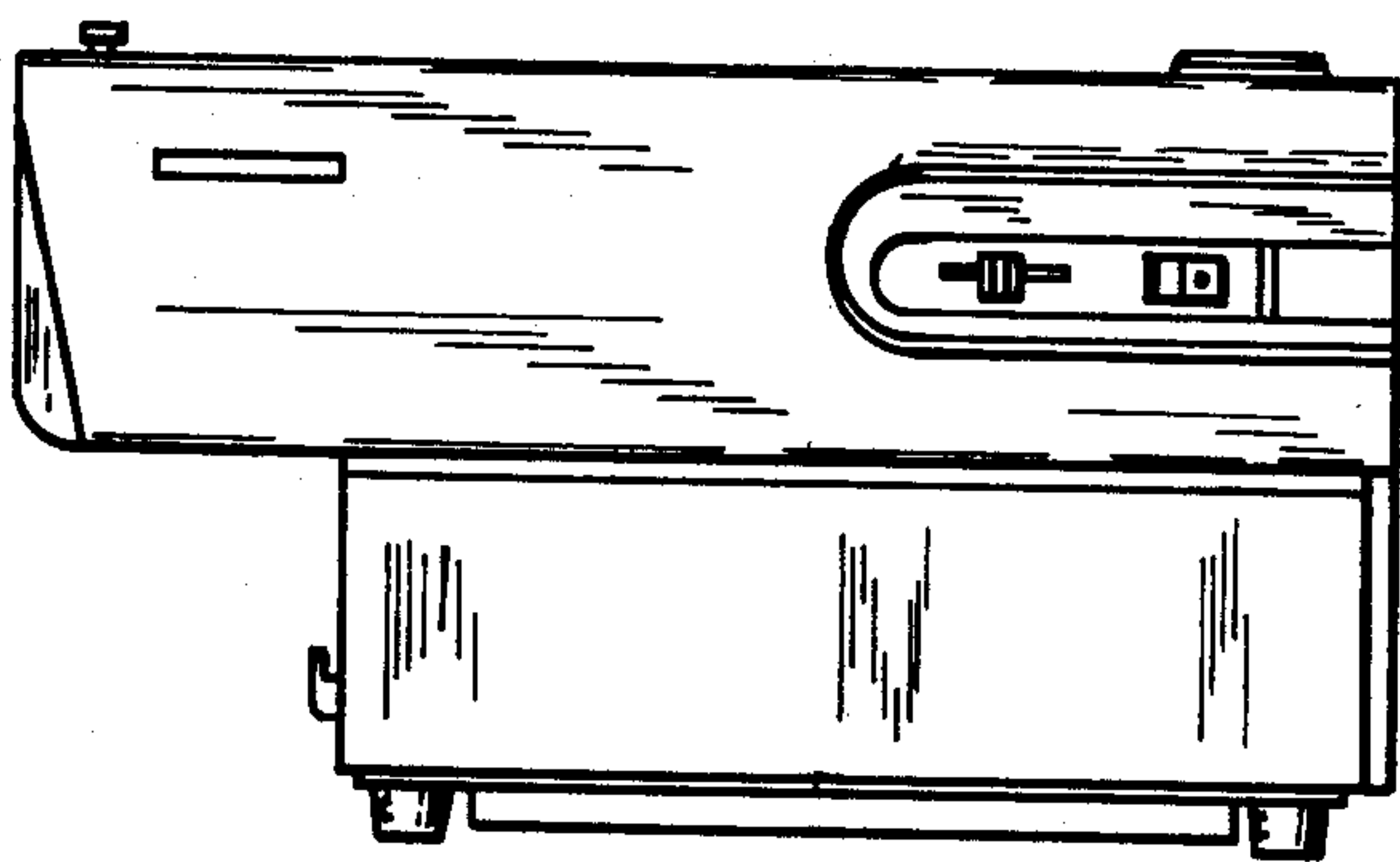


FIG. — 2

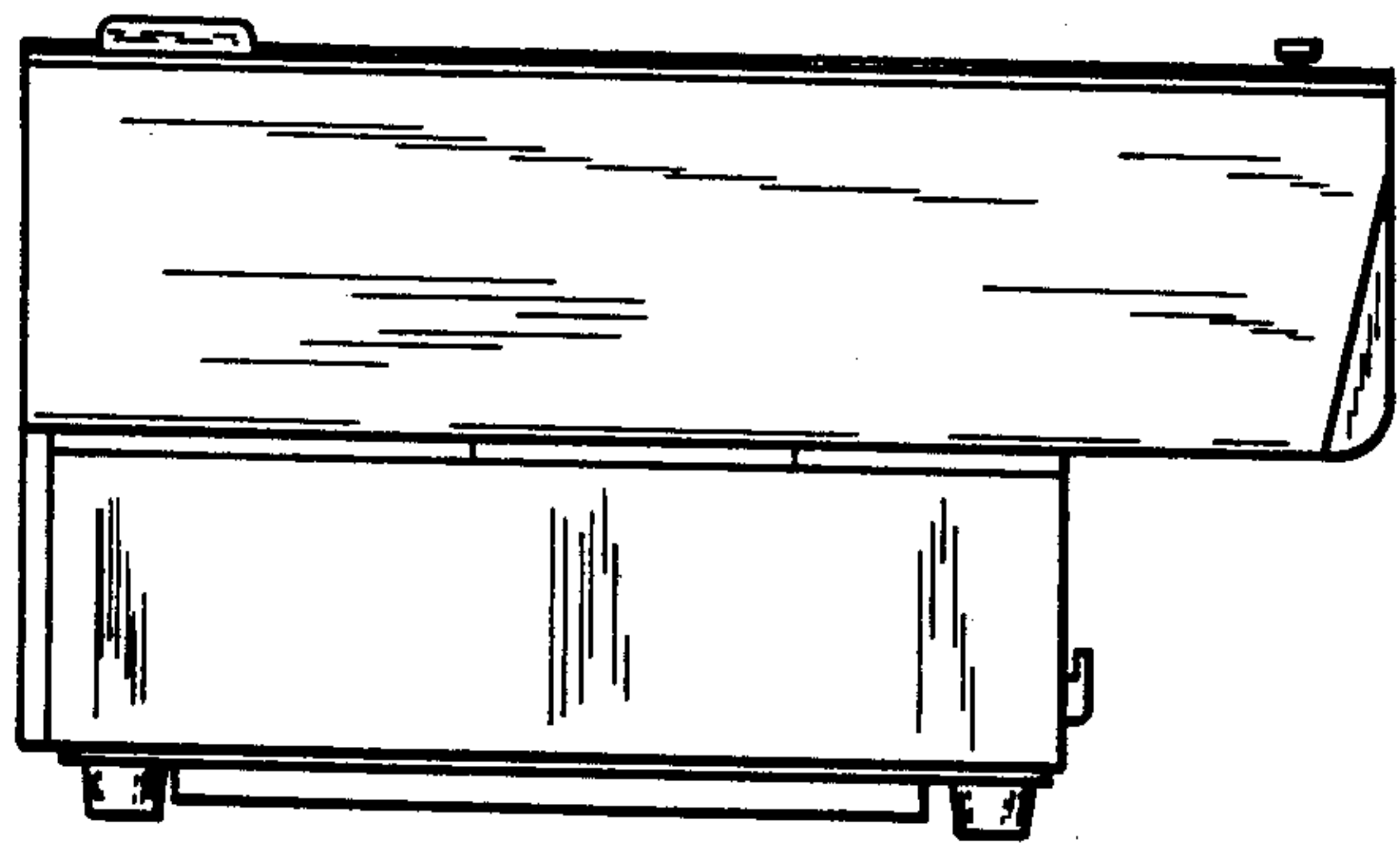


FIG. — 3

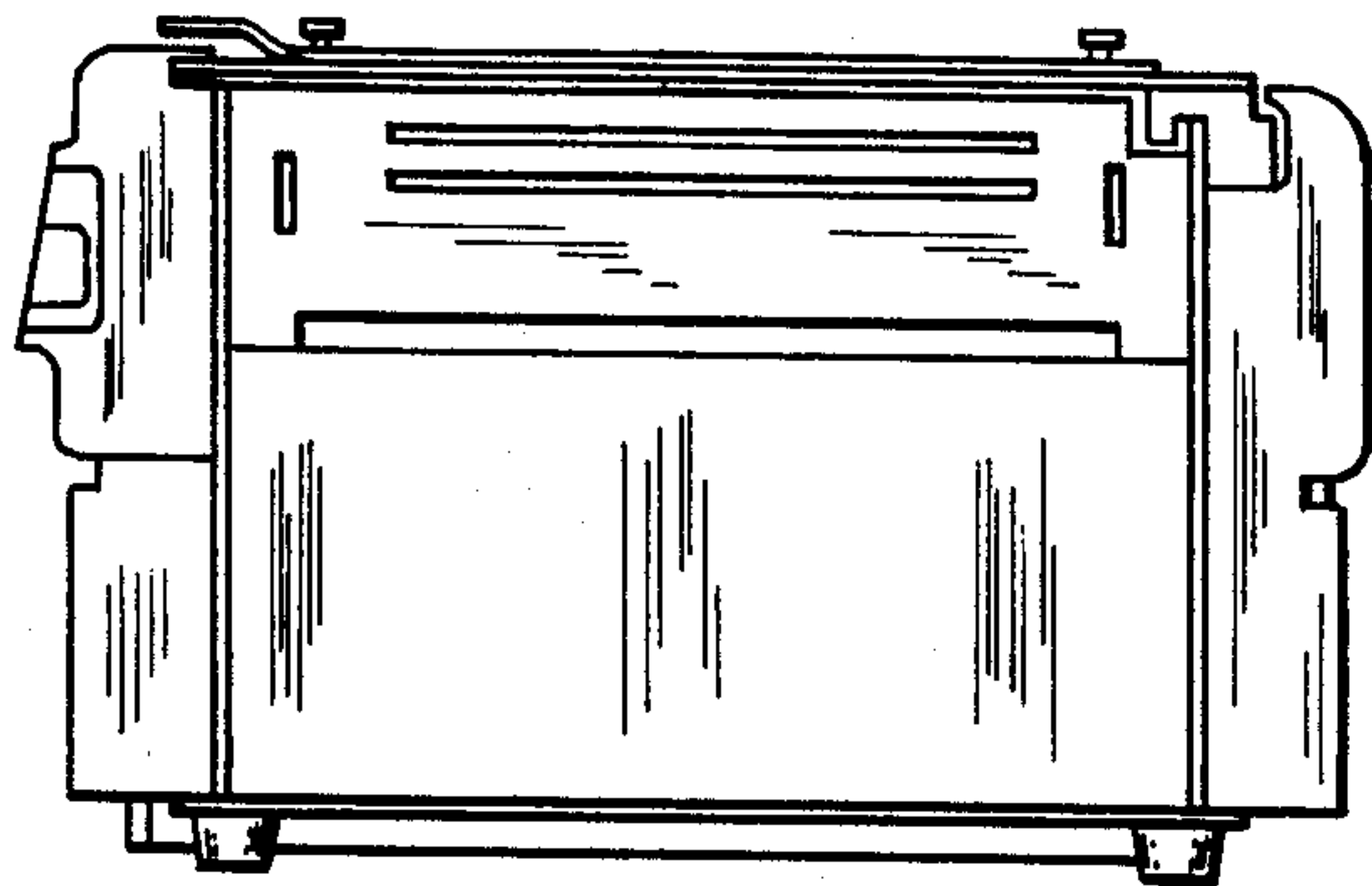


FIG. — 4

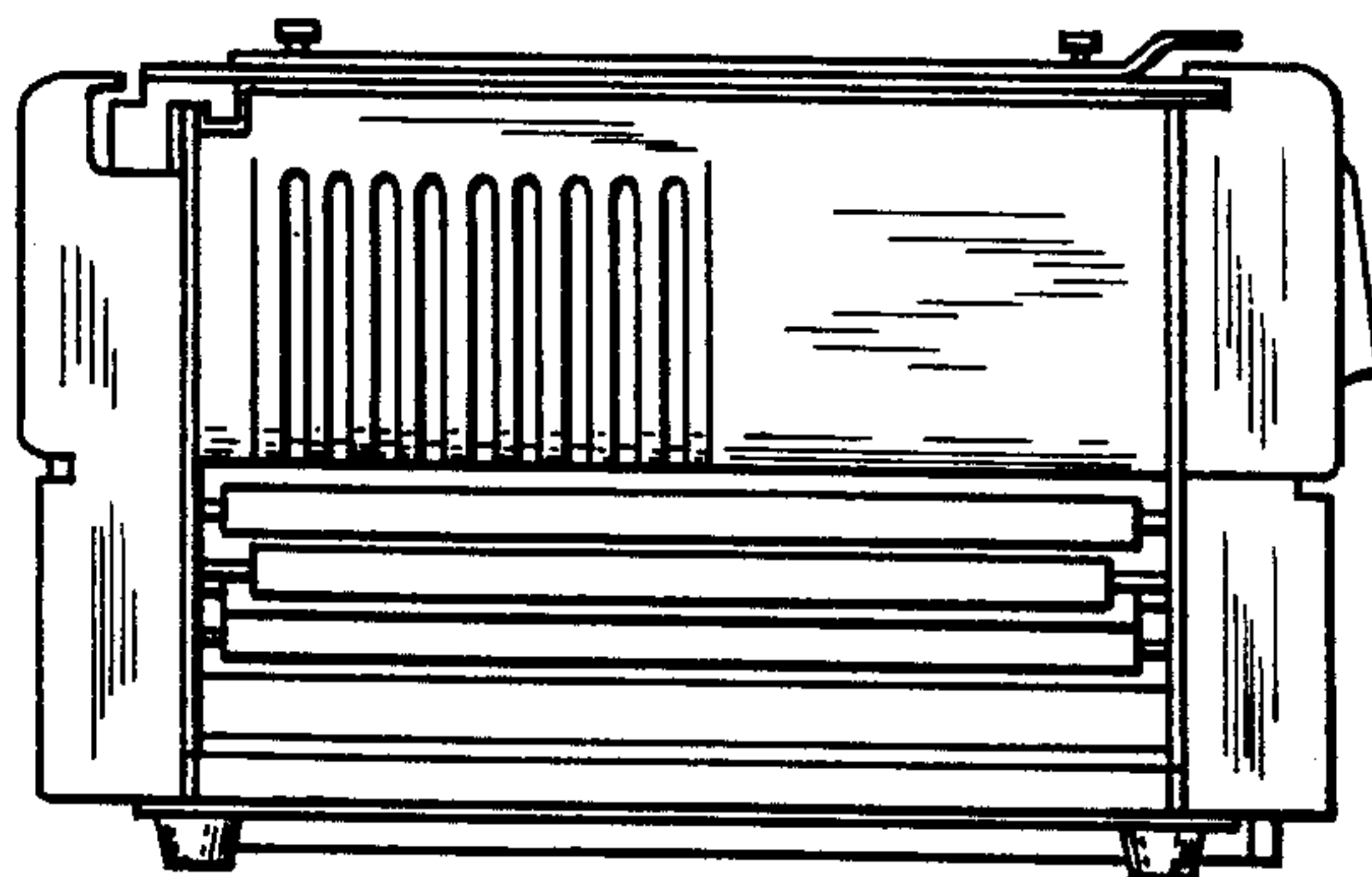


FIG. — 5

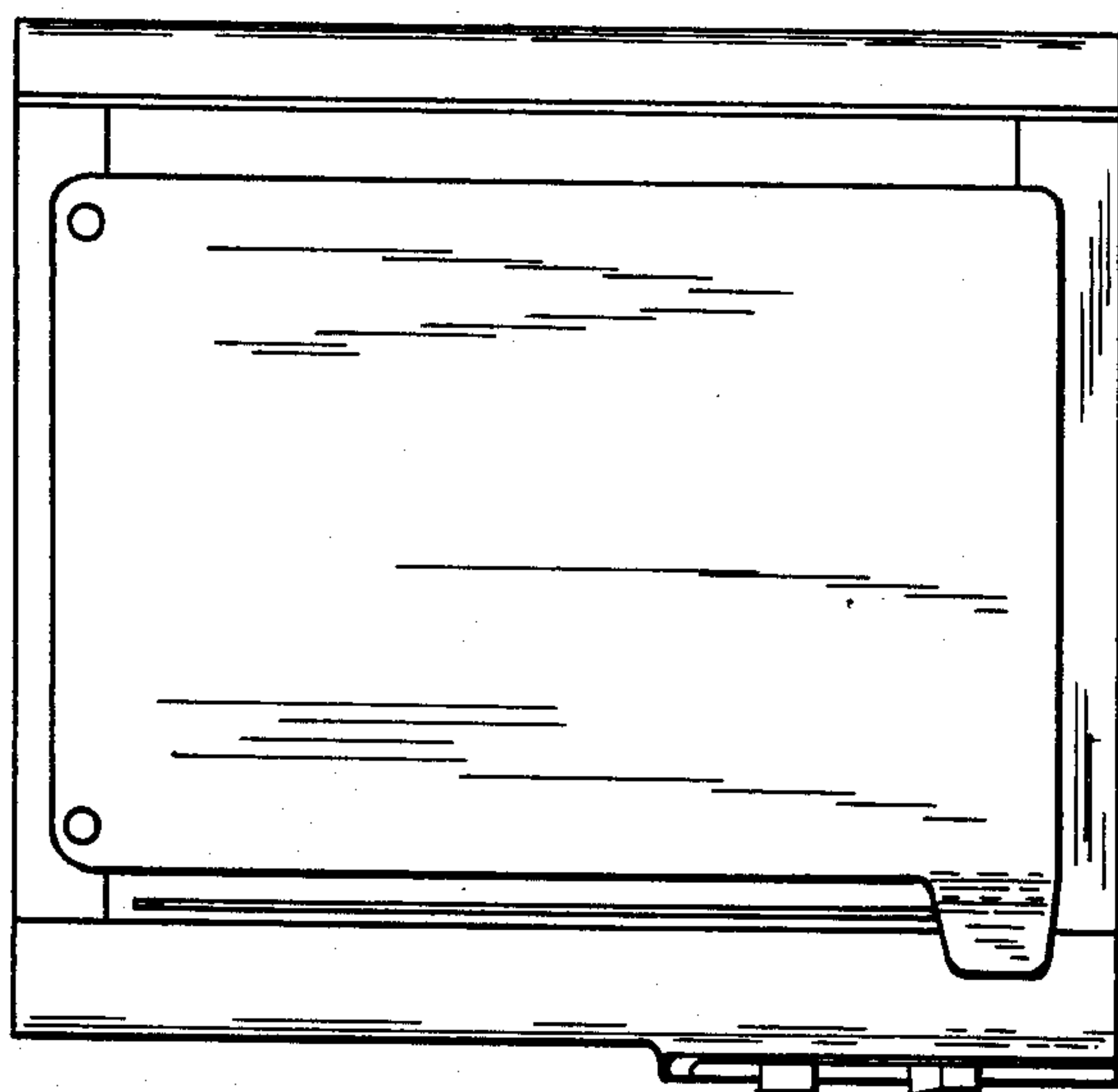


FIG. — 6

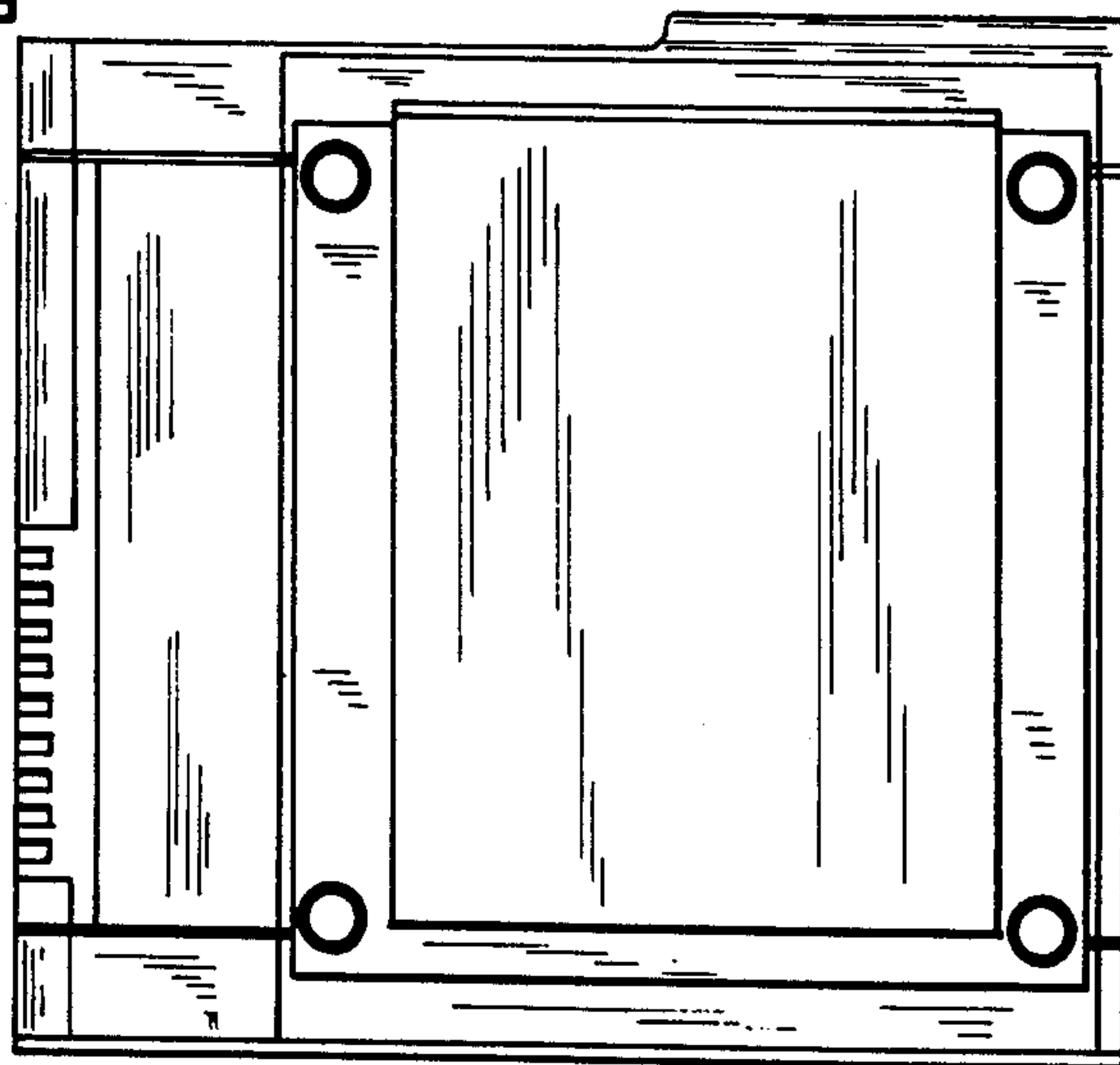


FIG. — 7