

[54] MOTION PICTURE CAMERA

[75] Inventors: Norbert Schlagheck; Herbert Schultes, both of Furstenfeldbruck, Germany

[73] Assignee: AGFA-Gevaert AG, Leverkusen, Germany

[**] Term: 14 Years

[21] Appl. No.: 676,914

[22] Filed: Apr. 14, 1976

[30] Foreign Application Priority Data

Oct. 20, 1975 Germany 5460106

[51] Int. Cl. D16-01

[52] U.S. Cl. D16/04

[58] Field of Search D16/1-4, D16/10; 352/95, 242, 72

[56] References Cited

U.S. PATENT DOCUMENTS

D. 223,411 4/1972 Emmerling D16/4
D. 223,514 4/1972 Oberheim D16/4

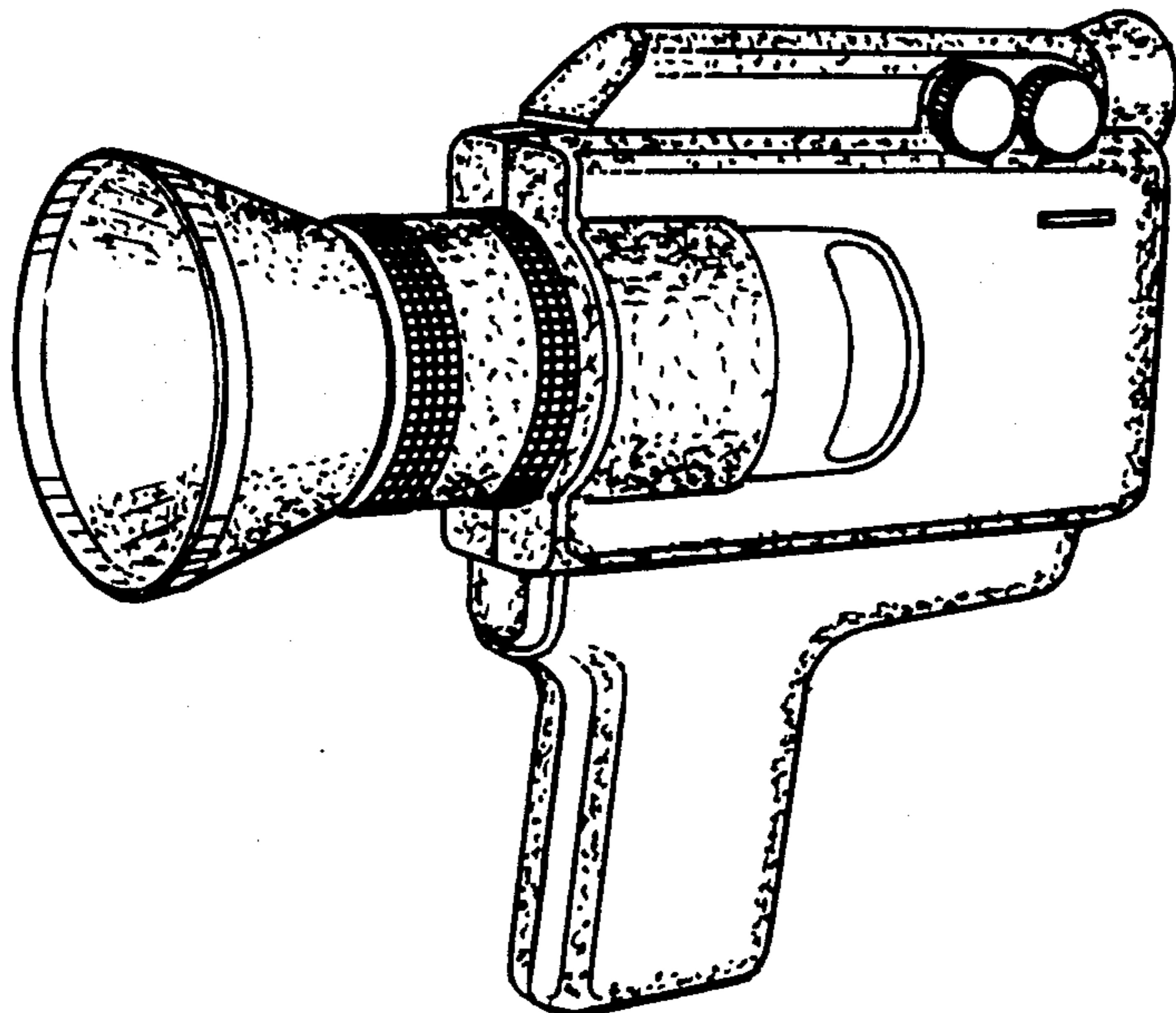
Primary Examiner—Wallace R. Burke
Assistant Examiner—Catherine Kemper
Attorney, Agent, or Firm—Michael J. Striker

[57] CLAIM

The ornamental design for a motion picture camera, substantially as shown.

DESCRIPTION

FIG. 1 is a front elevational view of a motion picture camera showing our new design; FIG. 2 is a front perspective view thereof; FIG. 3 is a rear perspective view thereof; FIG. 4 is a elevational view thereof; FIG. 5 is a top-plan view thereof; and FIG. 6 is a bottom-plan view thereof.



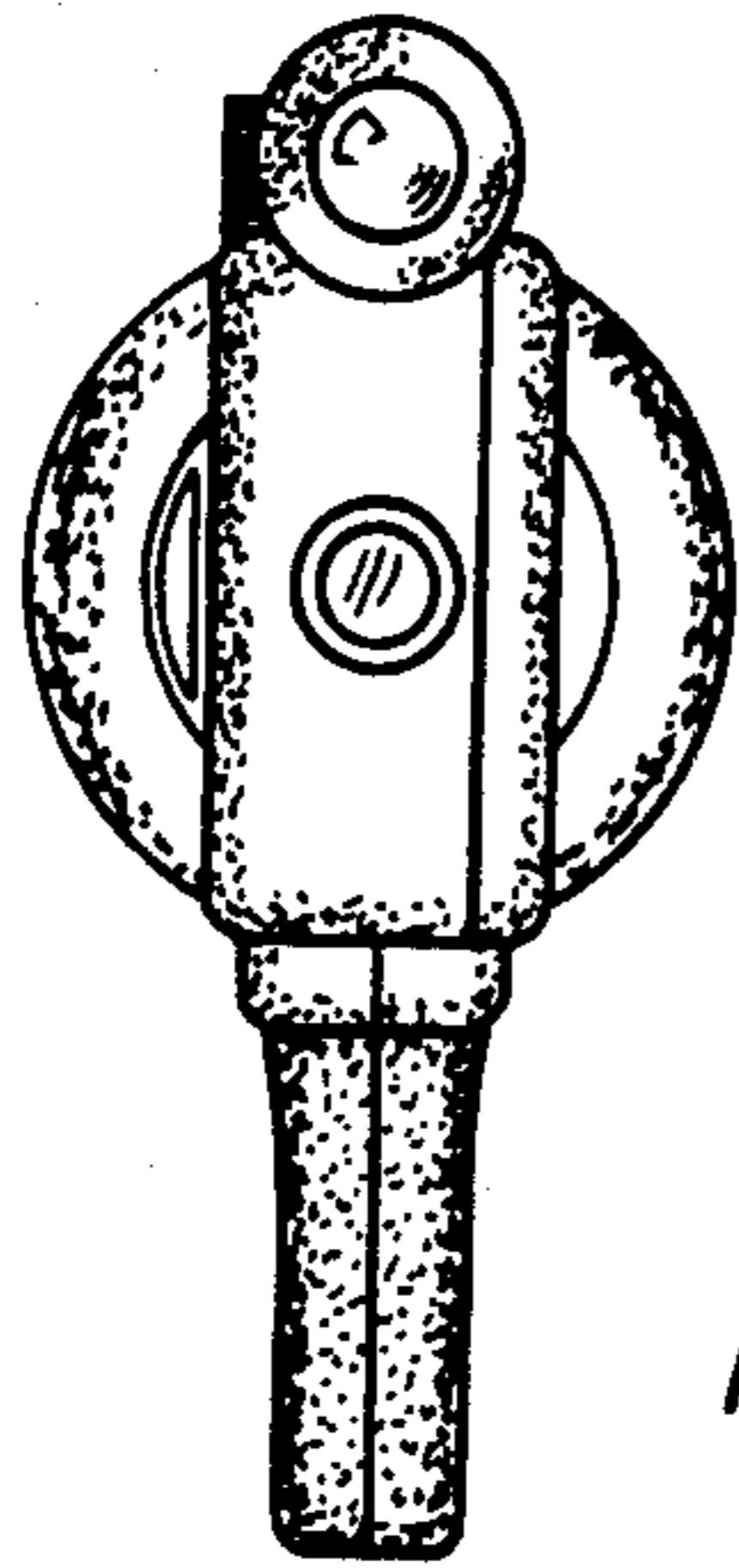


Fig. 4

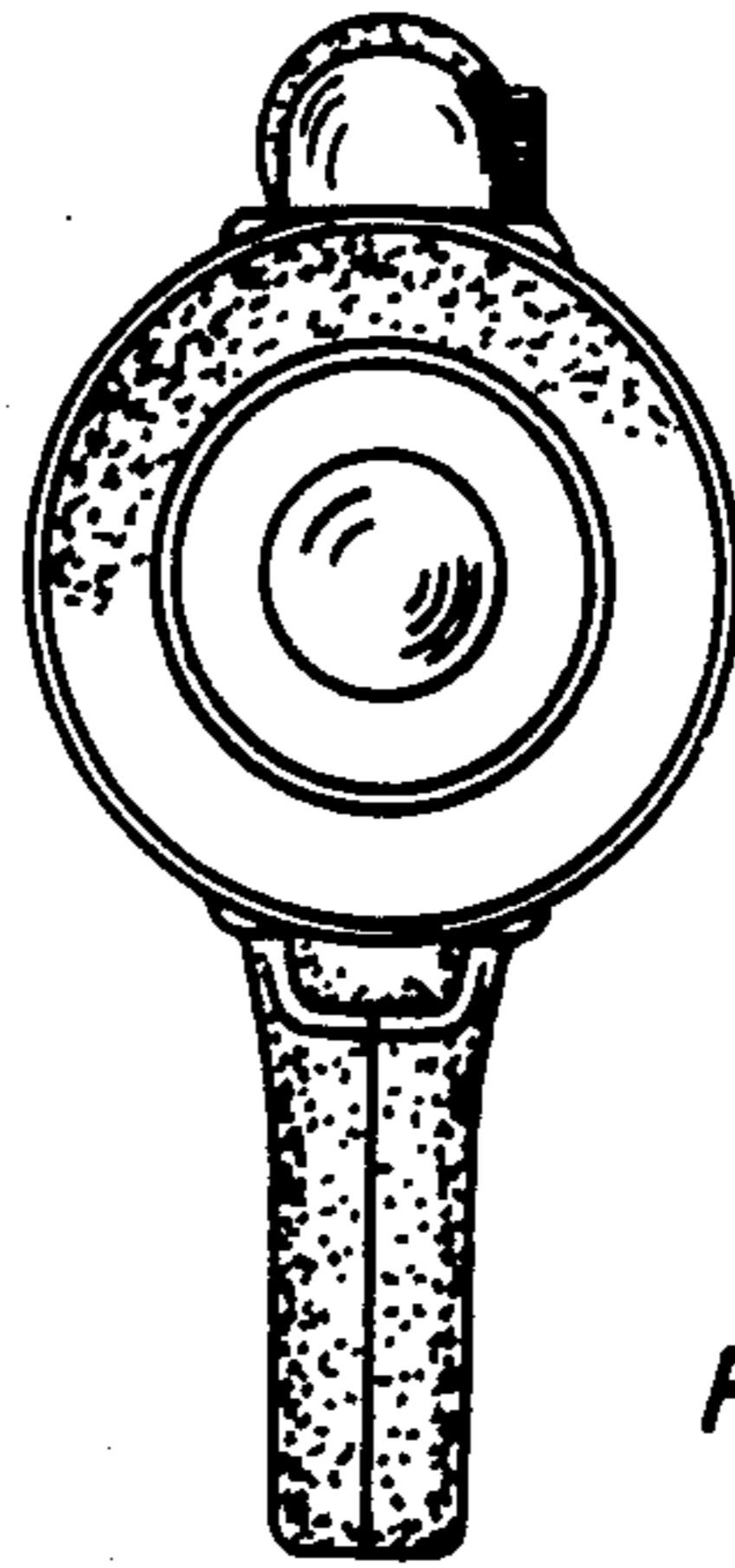


Fig. 1

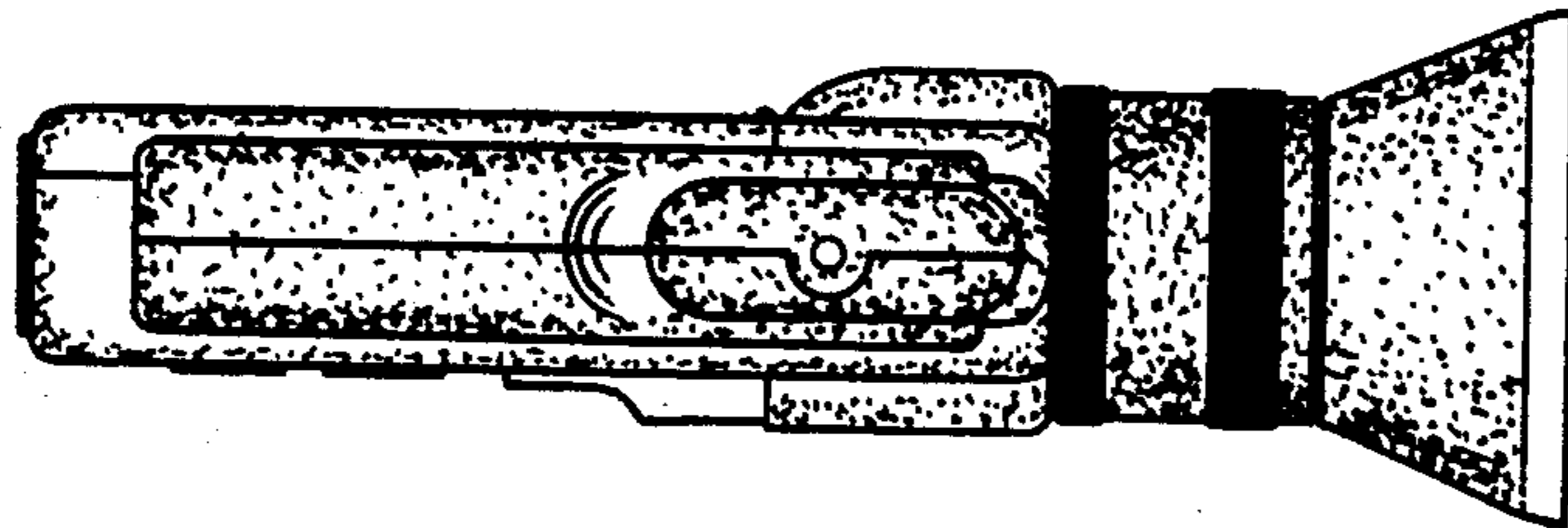


Fig. 6

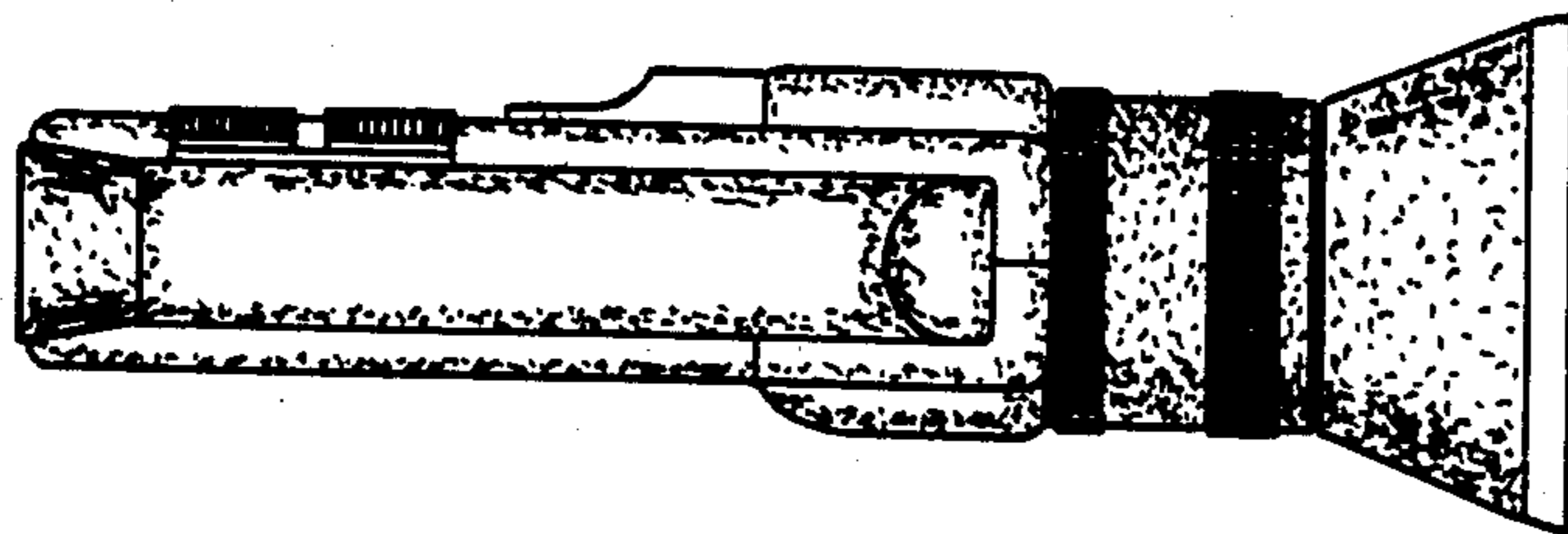


Fig. 5

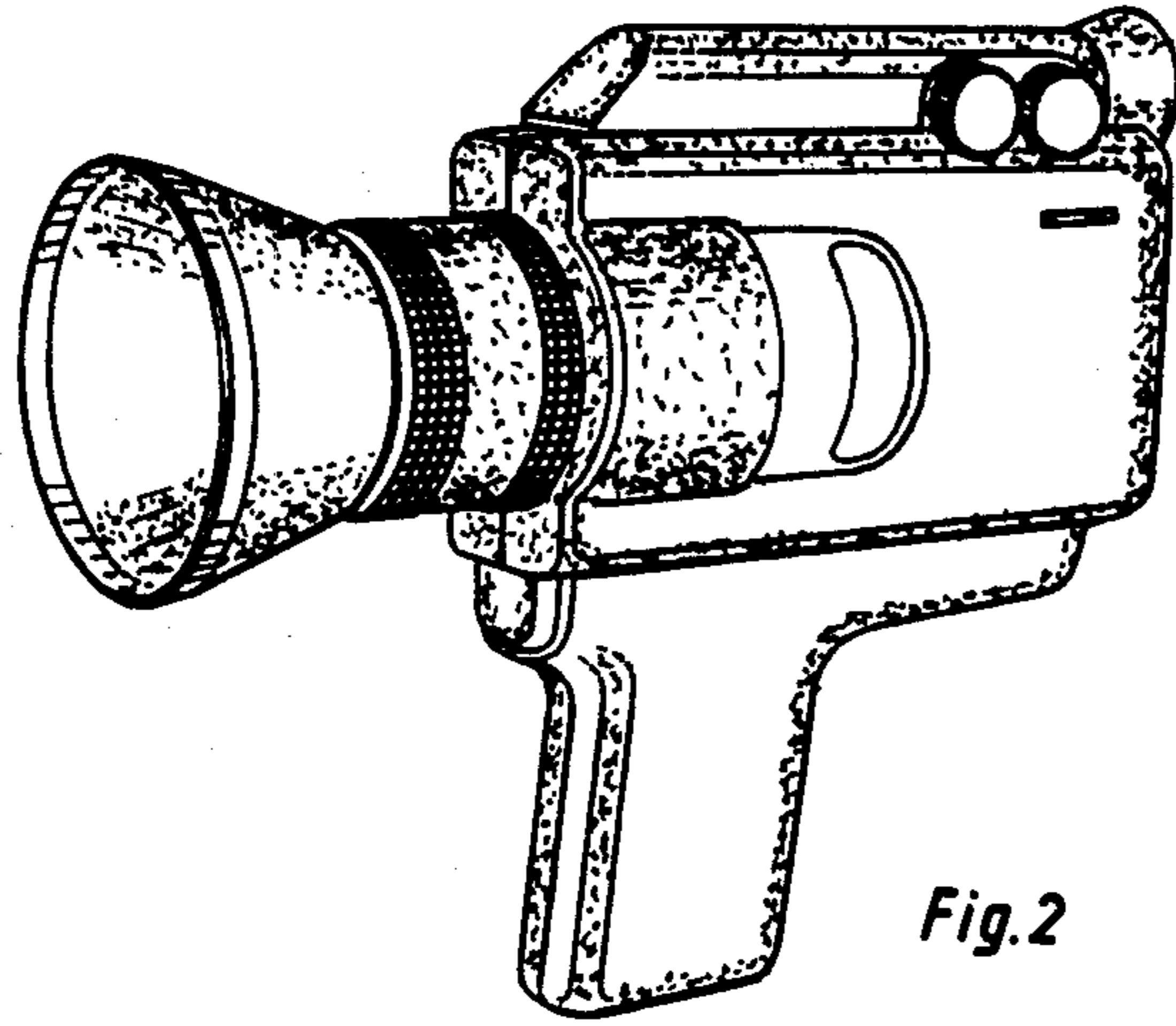


Fig. 2

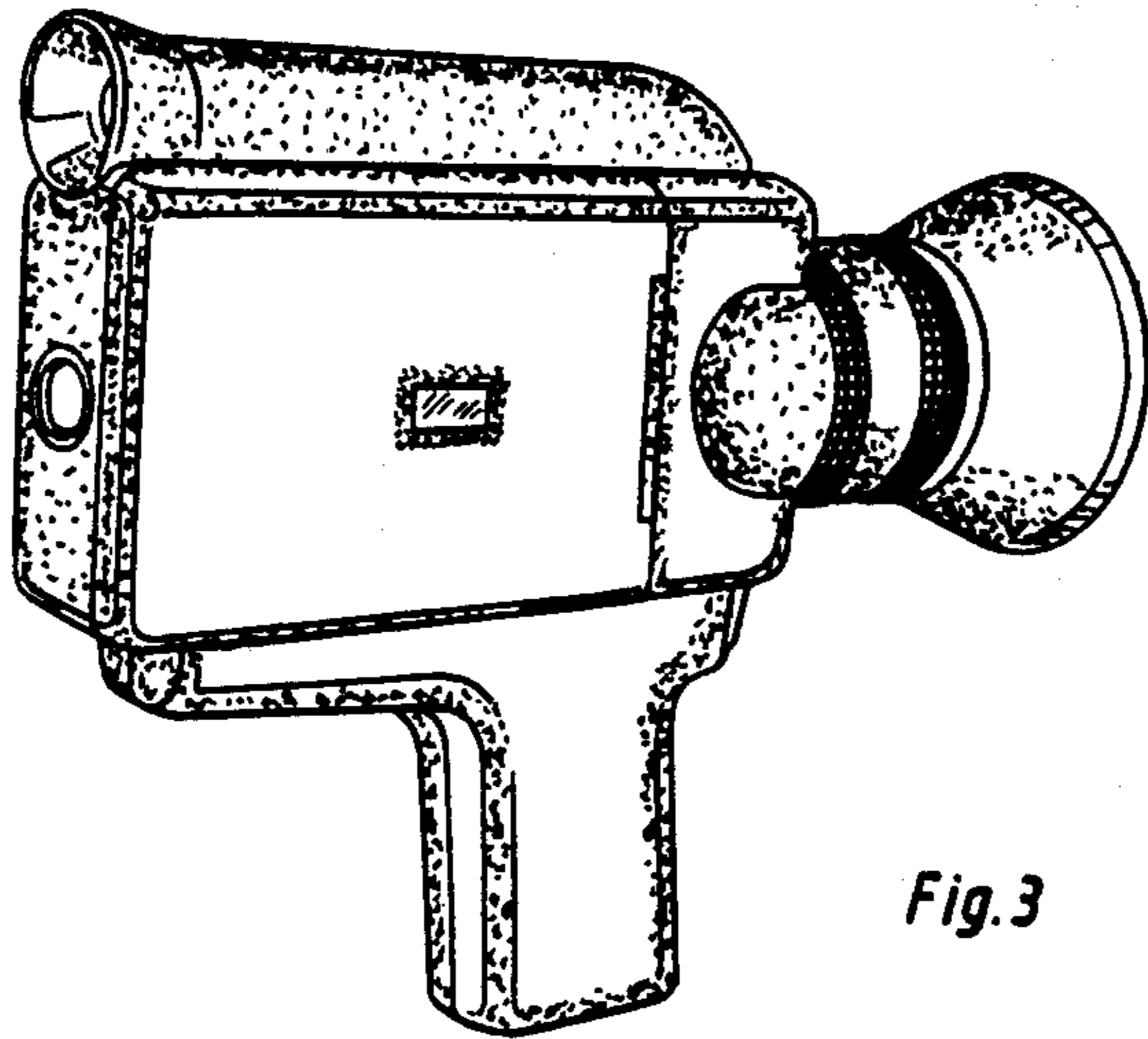


Fig. 3