

[54] COMBINED CARPET CLEANING WAND AND HEAD THEREFOR

[75] Inventor: Robert N. Bartlett, Denver, Colo.

[73] Assignee: Windsor Industries, Inc., Denver, Colo.

[**] Term: 14 Years

[21] Appl. No.: 576,563

[22] Filed: May 12, 1975

[51] Int. Cl. D15-05

[52] U.S. Cl. D15/63

[58] Field of Search 15/320-323, 15/415-422, 410; 401/137-140; D15/34, 48, 52, 55, 56, 61, 62, 63, 64, 65

[56] References Cited

U.S. PATENT DOCUMENTS

D. 231,894	6/1974	Knight	D7/167
D.232,298	8/1974	Jones	D7/73
3,114,922	12/1963	Ballantyne	401/138 X

OTHER PUBLICATIONS

Hardware Age - Apr. 1974, p. 28 - Rinse N Vac Steam Cleaner; p. 82 - Trewax Carpet Cleaner, Model 625.

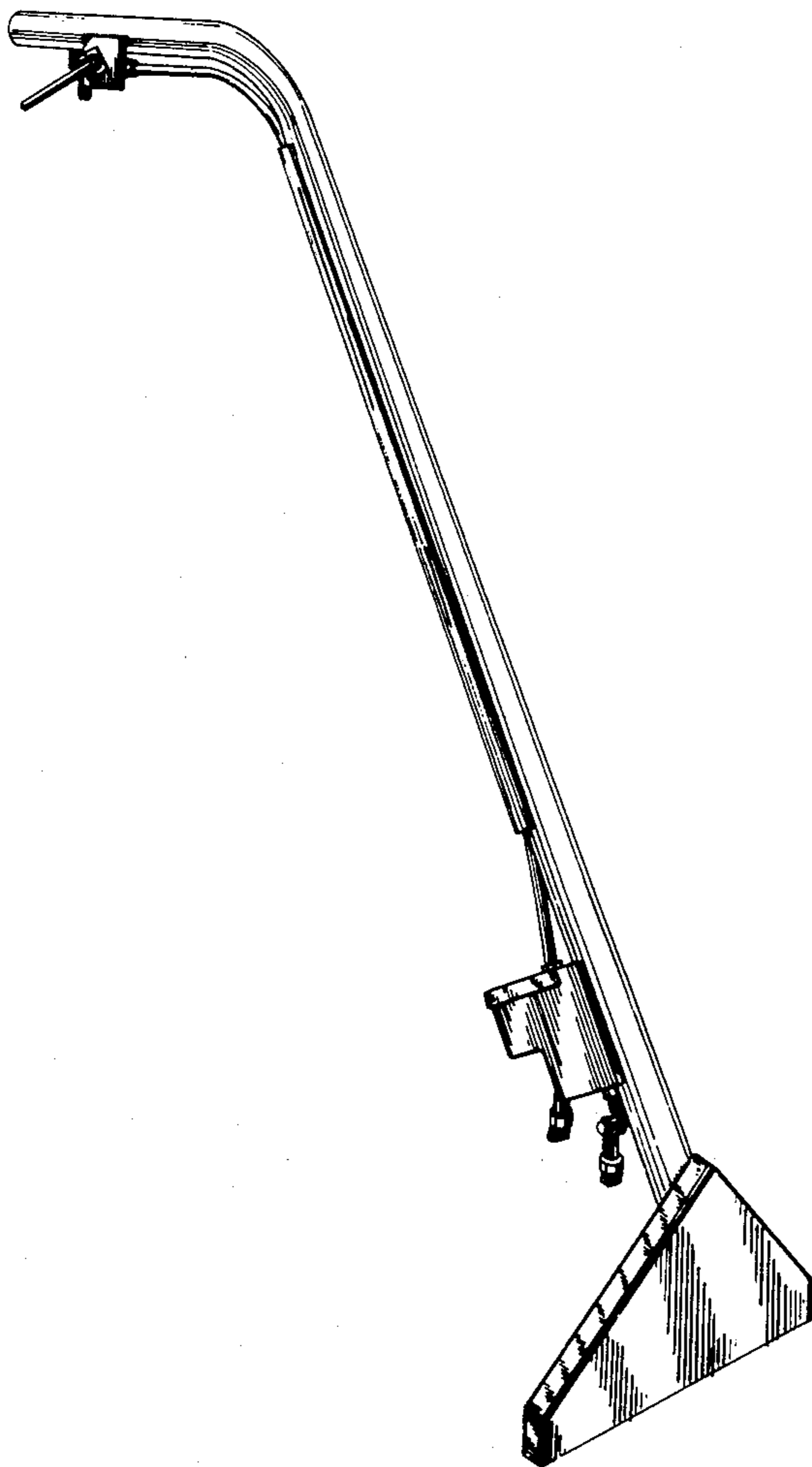
Primary Examiner—Wallace R. Burke
Assistant Examiner—Catherine Kemper
Attorney, Agent, or Firm—Edwin L. Spangler, Jr.

[57] CLAIM

The ornamental design for a combined carpet cleaning wand and head therefor, as shown and described.

DESCRIPTION

FIG. 1 is a front left perspective view of a combined carpet cleaning wand and head therefor showing my new design;
FIG. 2 is a left side elevation shown on a reduced scale;
FIG. 3 is a right side elevation thereof;
FIG. 4 is a front elevation thereof;
FIG. 5 is a rear elevation thereof;
FIG. 6 is a top plan view thereof;
FIG. 7 is a bottom plan view thereof; and,
FIG. 8 is a rear perspective view to the same scale as FIG. 1.



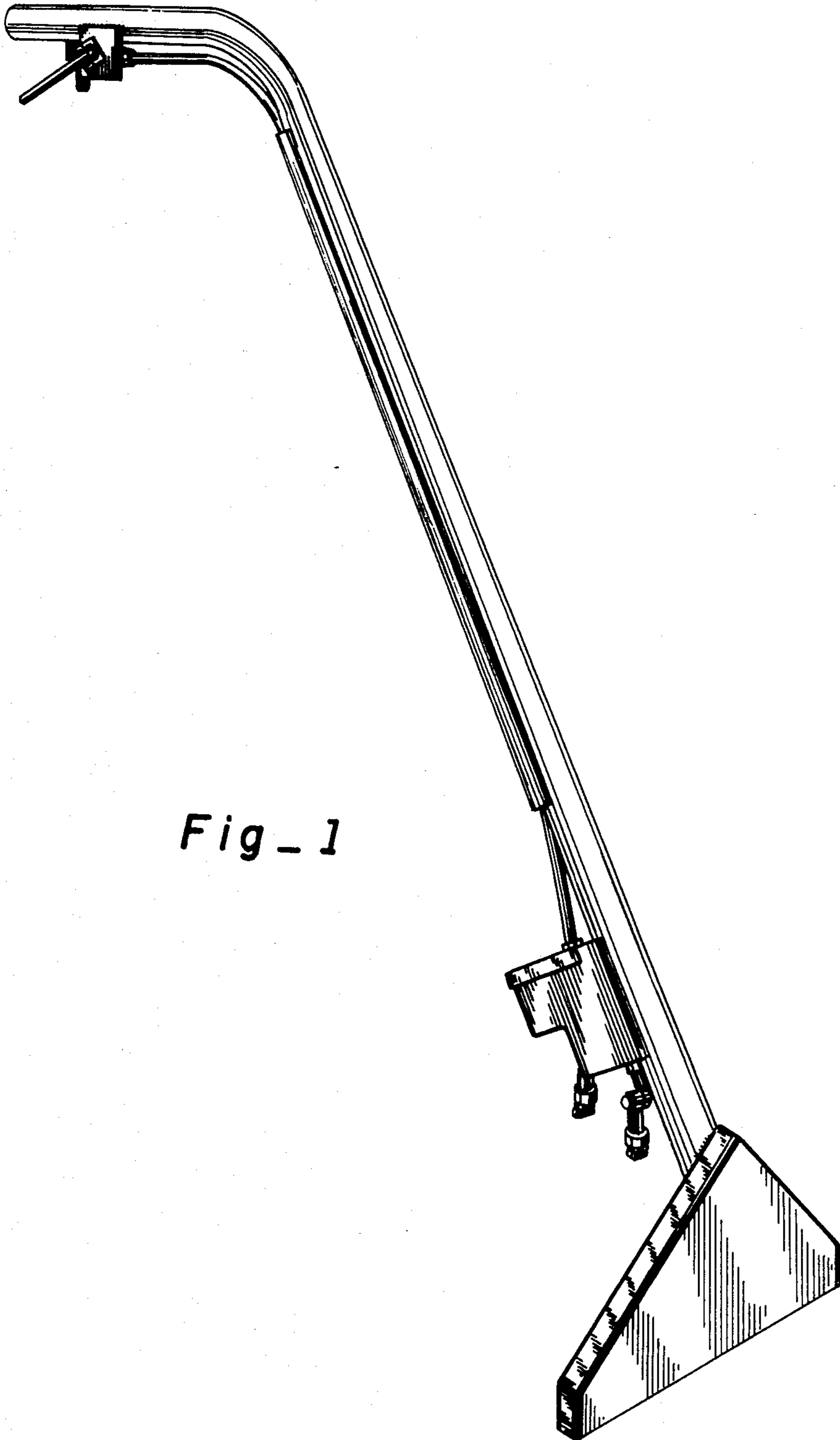
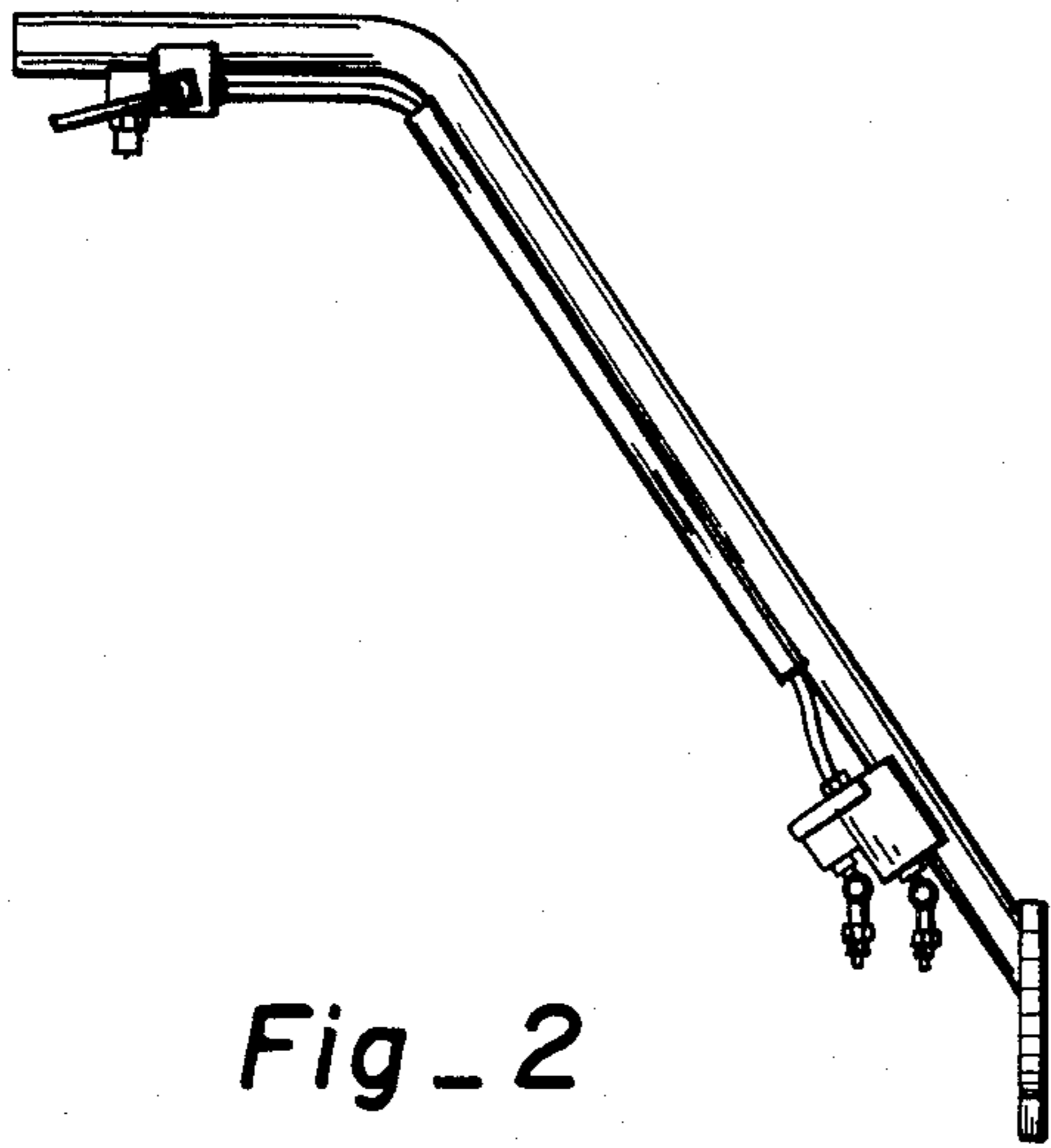
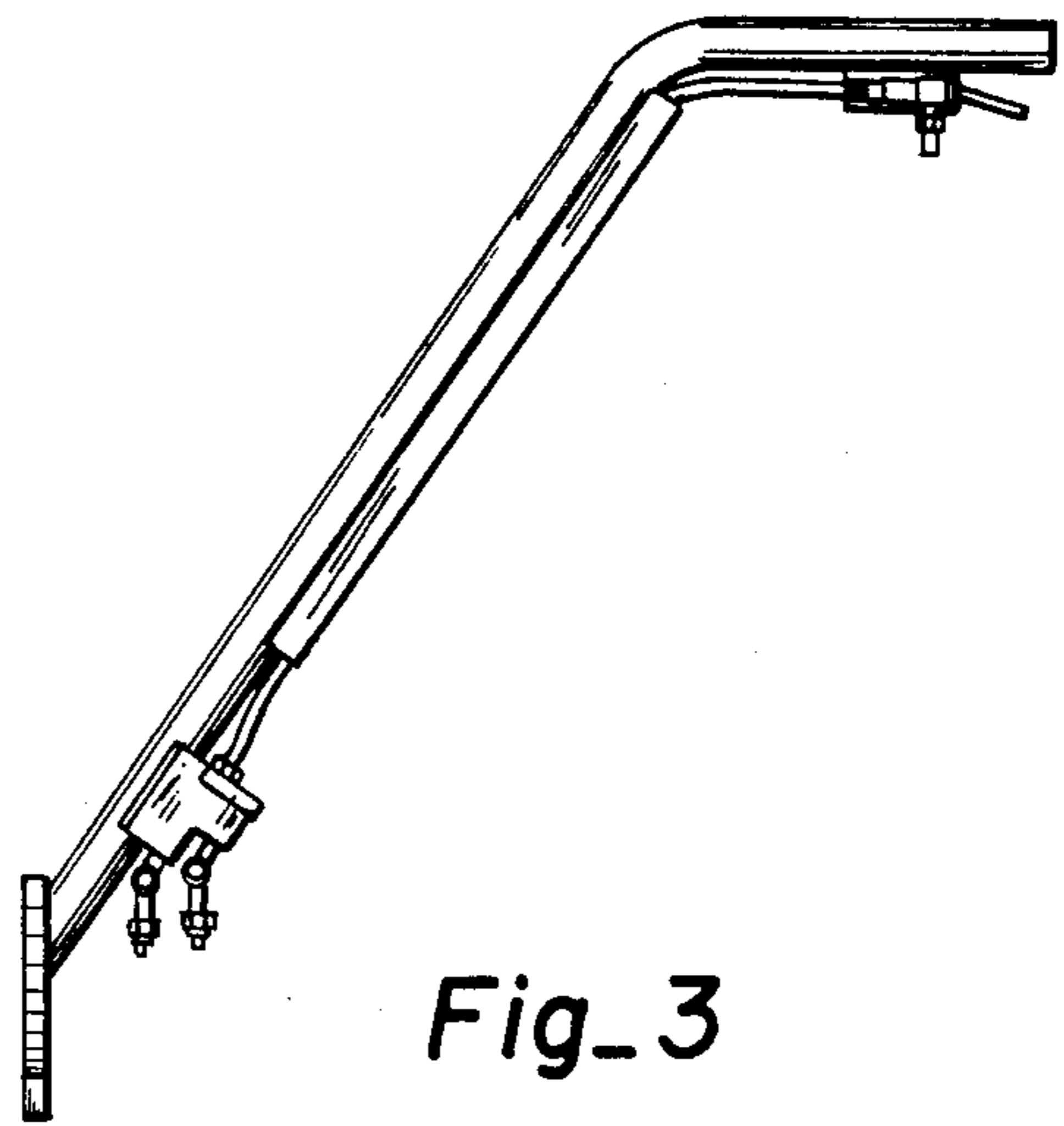


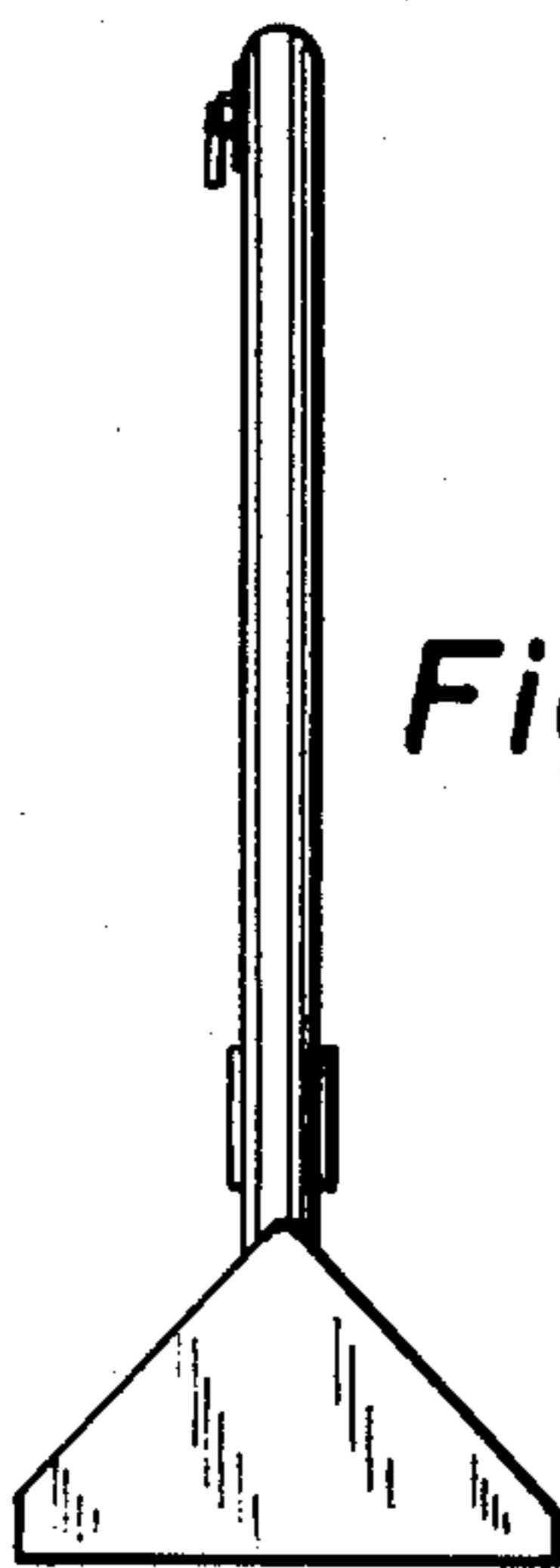
Fig - 1



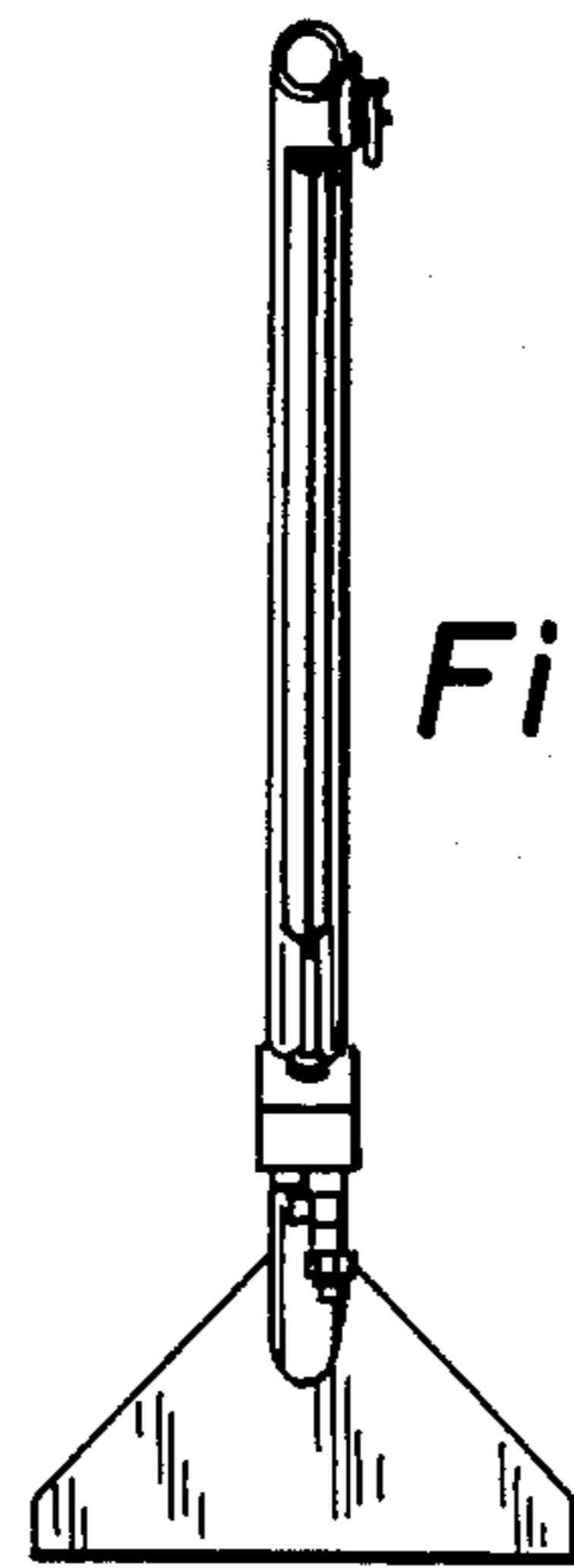
Fig_2



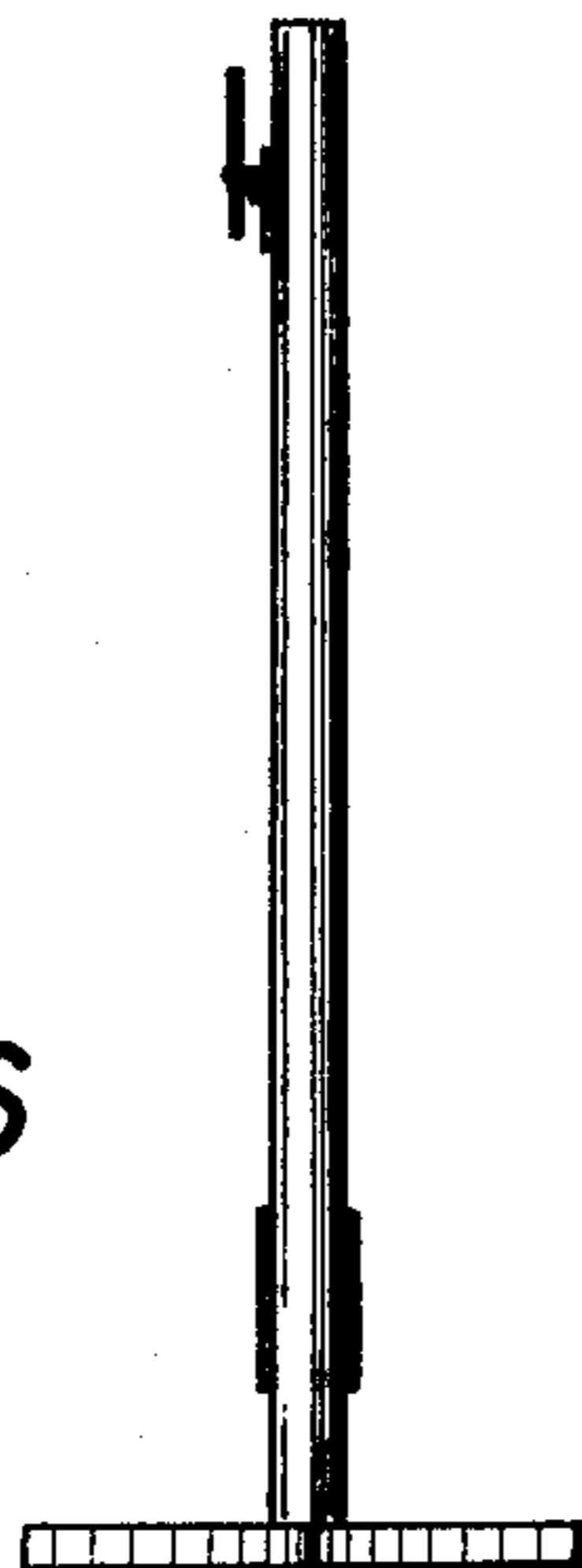
Fig_3



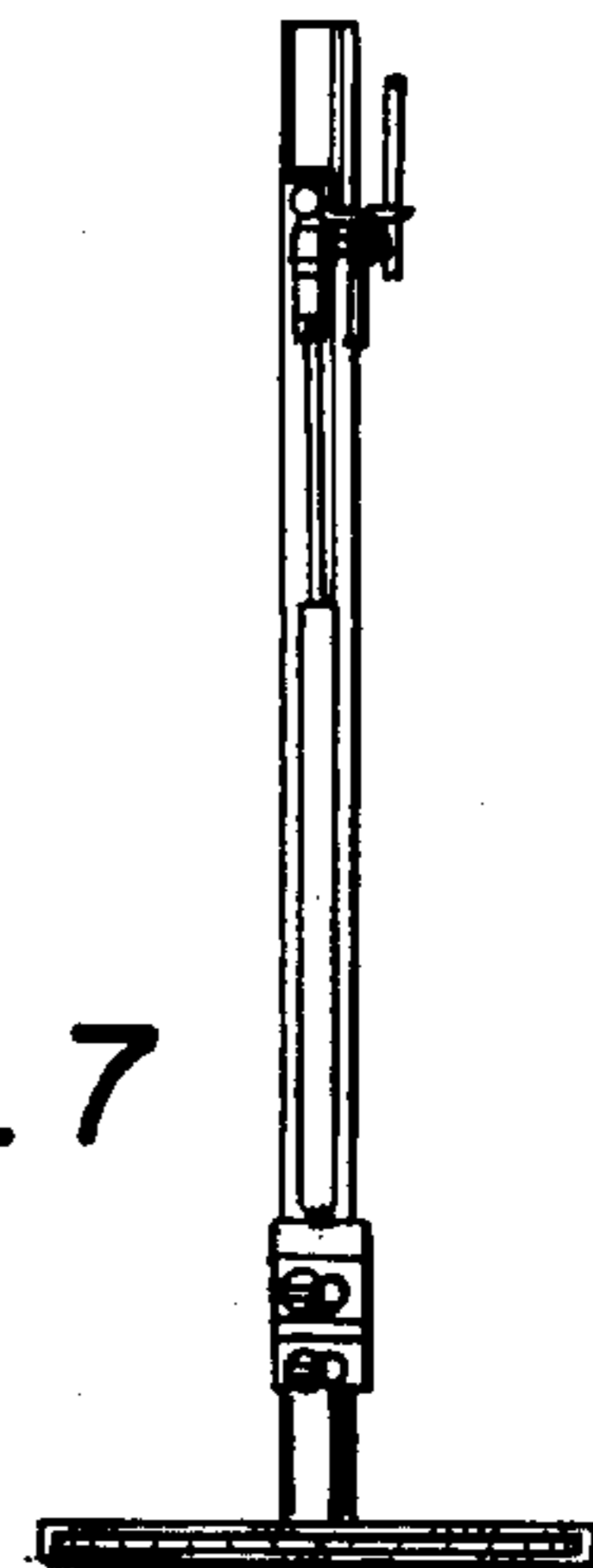
Fig_4



Fig_5



Fig_6



Fig_7

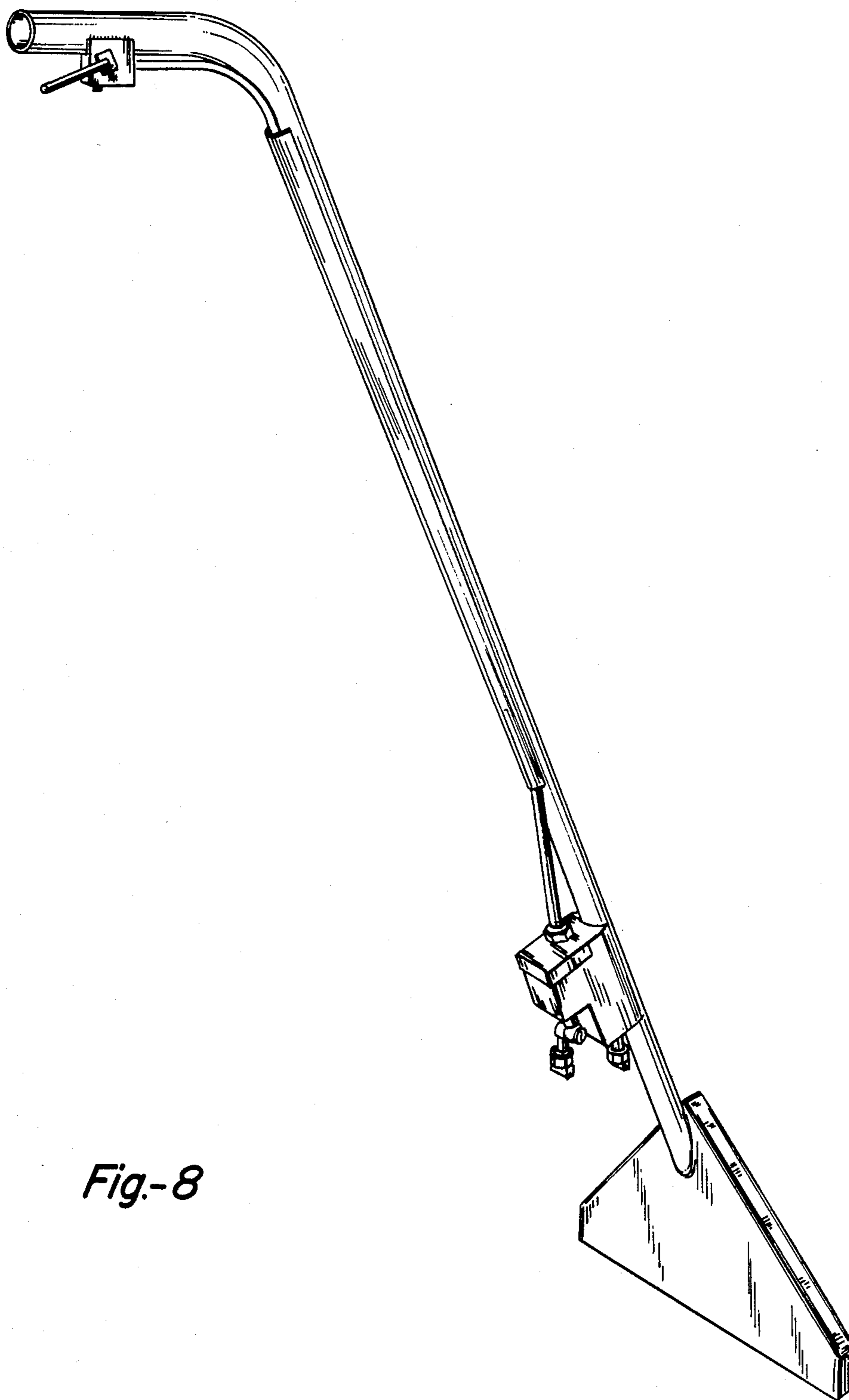


Fig.-8