

[54] VEHICLE POLISHING APPARATUS

[76] Inventor: John H. Krimm, 7614 S. Gessner St., Apt. 145, Houston, Tex. 77036

[**] Term: 14 Years

[21] Appl. No.: 686,558

[22] Filed: May 14, 1976

[51] Int. Cl. D15-05

[52] U.S. Cl. D15/37

[58] Field of Search D15/34, 37, 48, 49; 15/DIG. 2, 49 R, 50 R

[56] References Cited

U.S. PATENT DOCUMENTS

D. 204,365	4/1966	Trombetta	D15/34
3,402,420	9/1968	Schaeffer	15/320
3,772,723	11/1973	Krimm	15/21 D
3,857,135	12/1974	Takeuchi	15/DIG. 2 X

3,969,782 7/1976 Williams 15/DIG. 2 X

Primary Examiner—Wallace R. Burke
Assistant Examiner—Catherine Kemper
Attorney, Agent, or Firm—Claude A. Fishburn

[57] CLAIM

The ornamental design for a vehicle polishing apparatus, as shown and described.

DESCRIPTION

FIG. 1 is a perspective view of a vehicle polishing apparatus showing my new design.

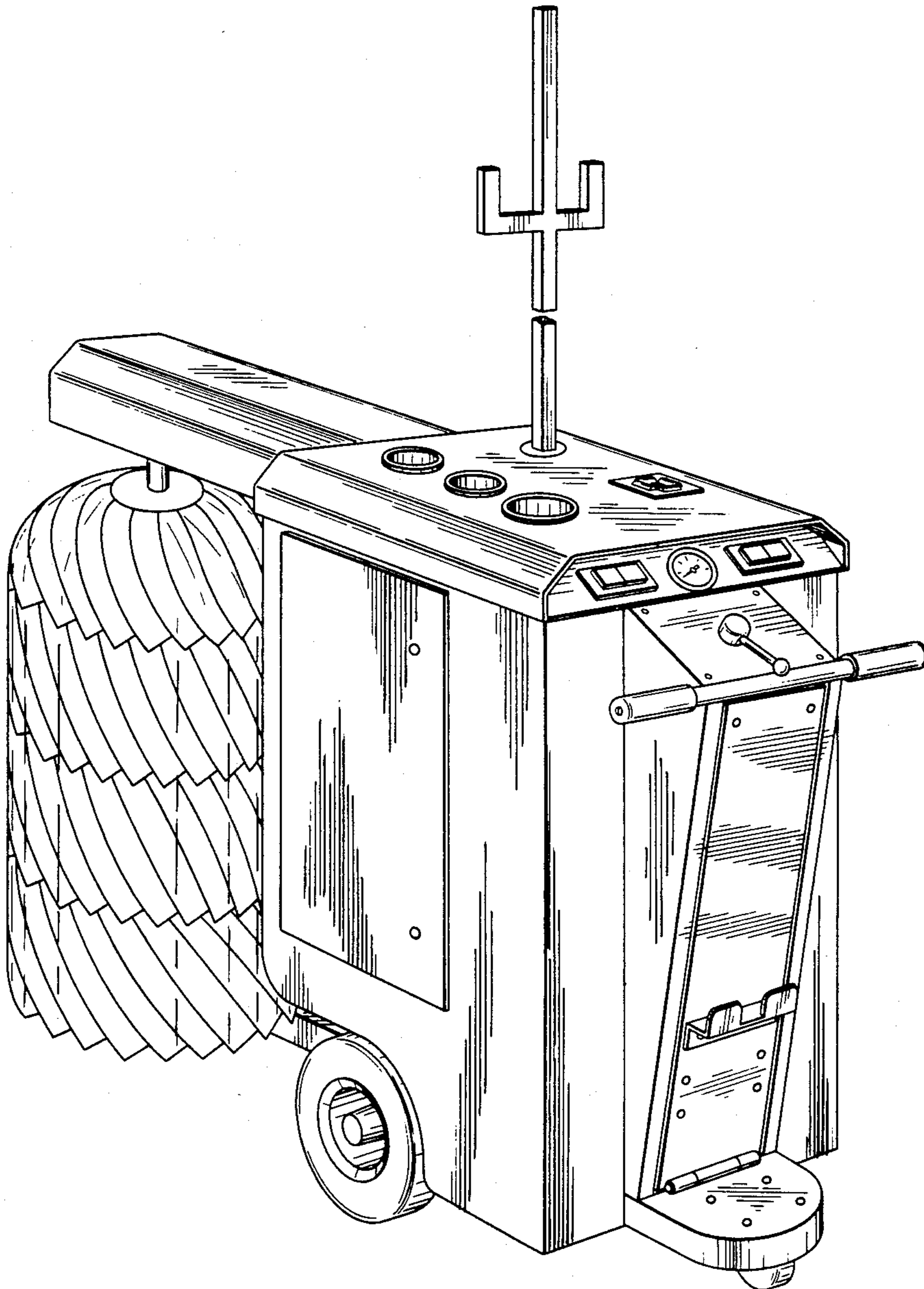
FIG. 2 is a right side elevational view, the left side being a mirror image thereof.

FIG. 3 is a right end elevational view thereof.

FIG. 4 is a left end elevational view thereof.

FIG. 5 is a top view thereof.

The upwardly projecting post is shown fragmentarily in FIG. 1 for convenience of illustration. The brush element has been shown fragmentarily in FIG. 2 in order to fully disclose the rear wheel.



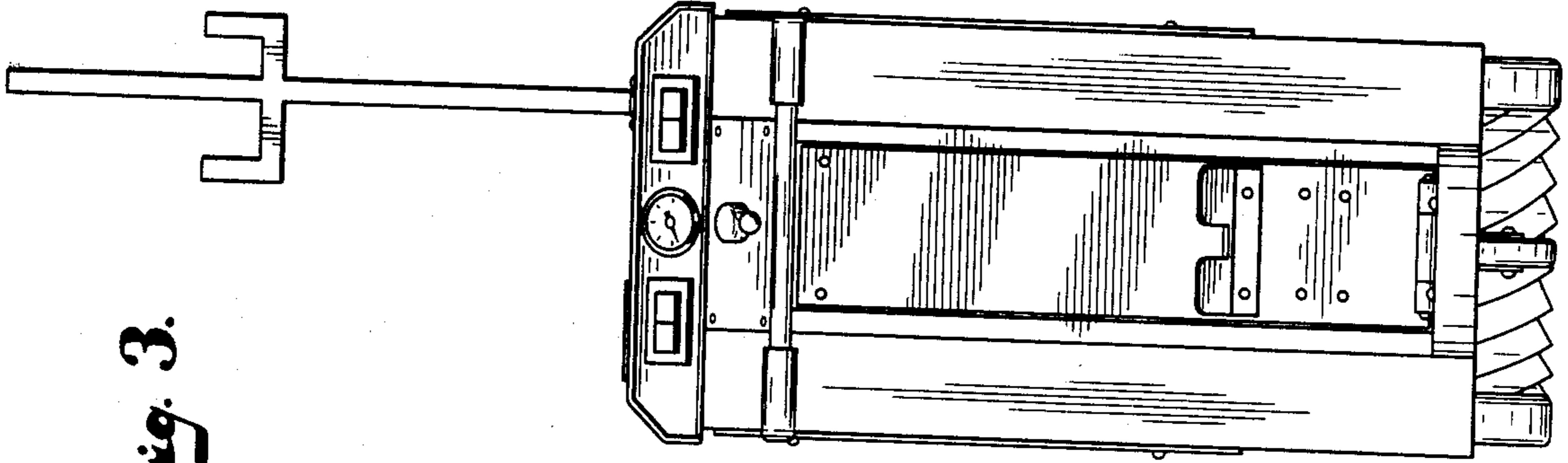


Fig. 3.

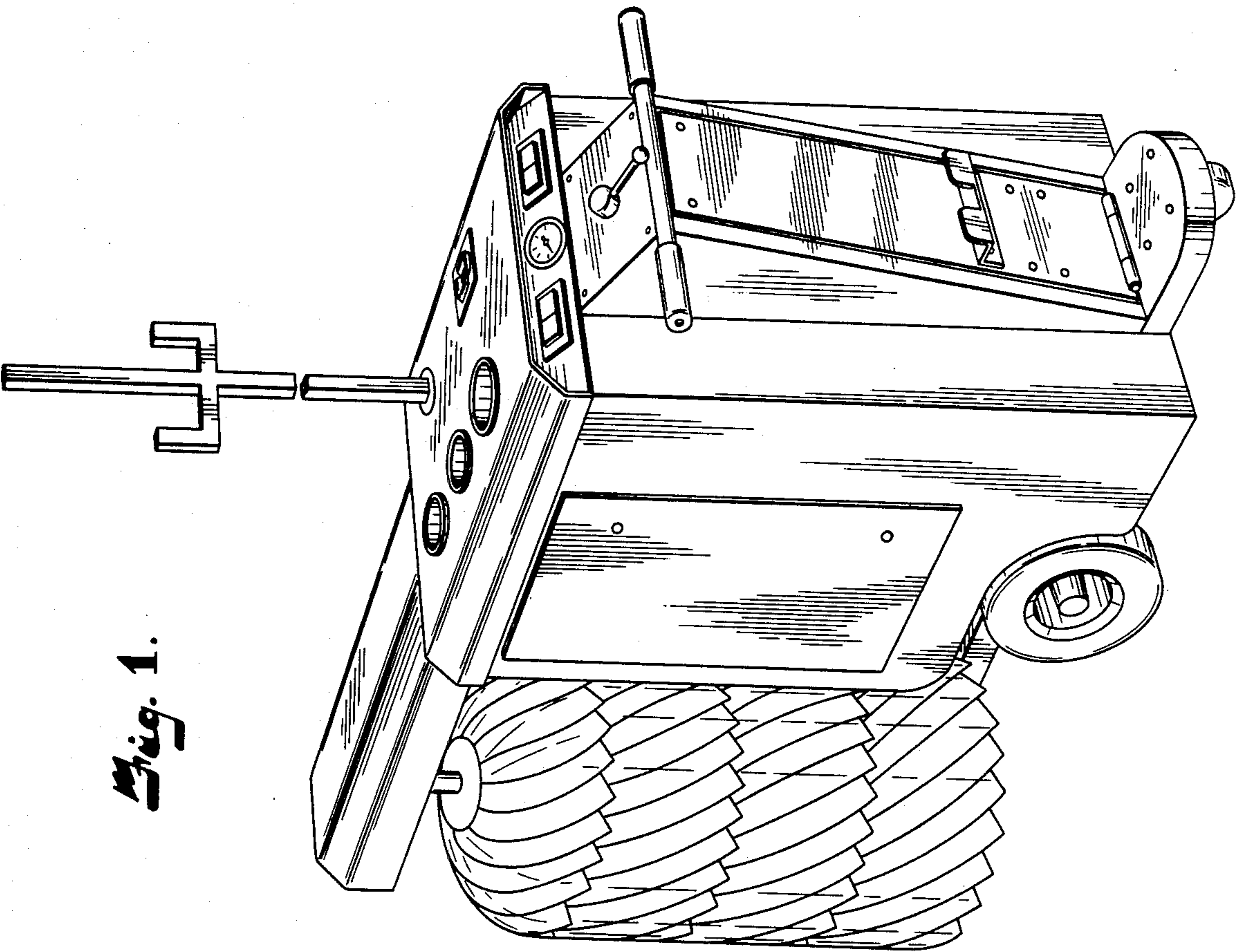


Fig. 1.

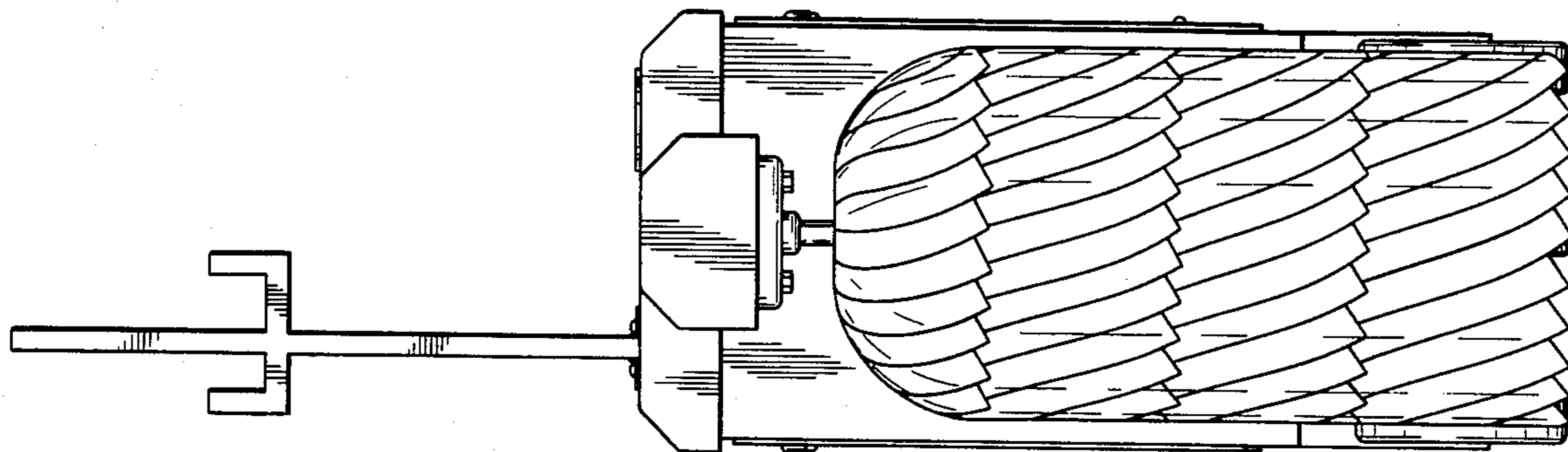


Fig. 4.

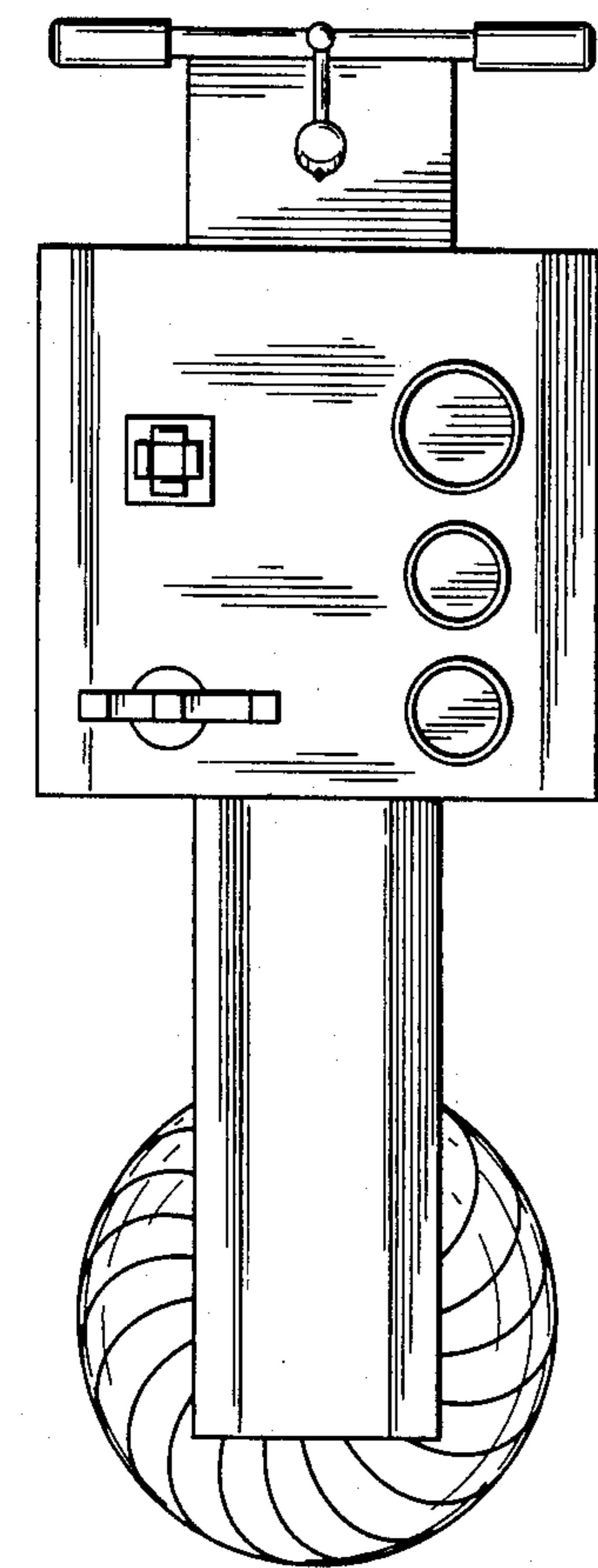


Fig. 5.

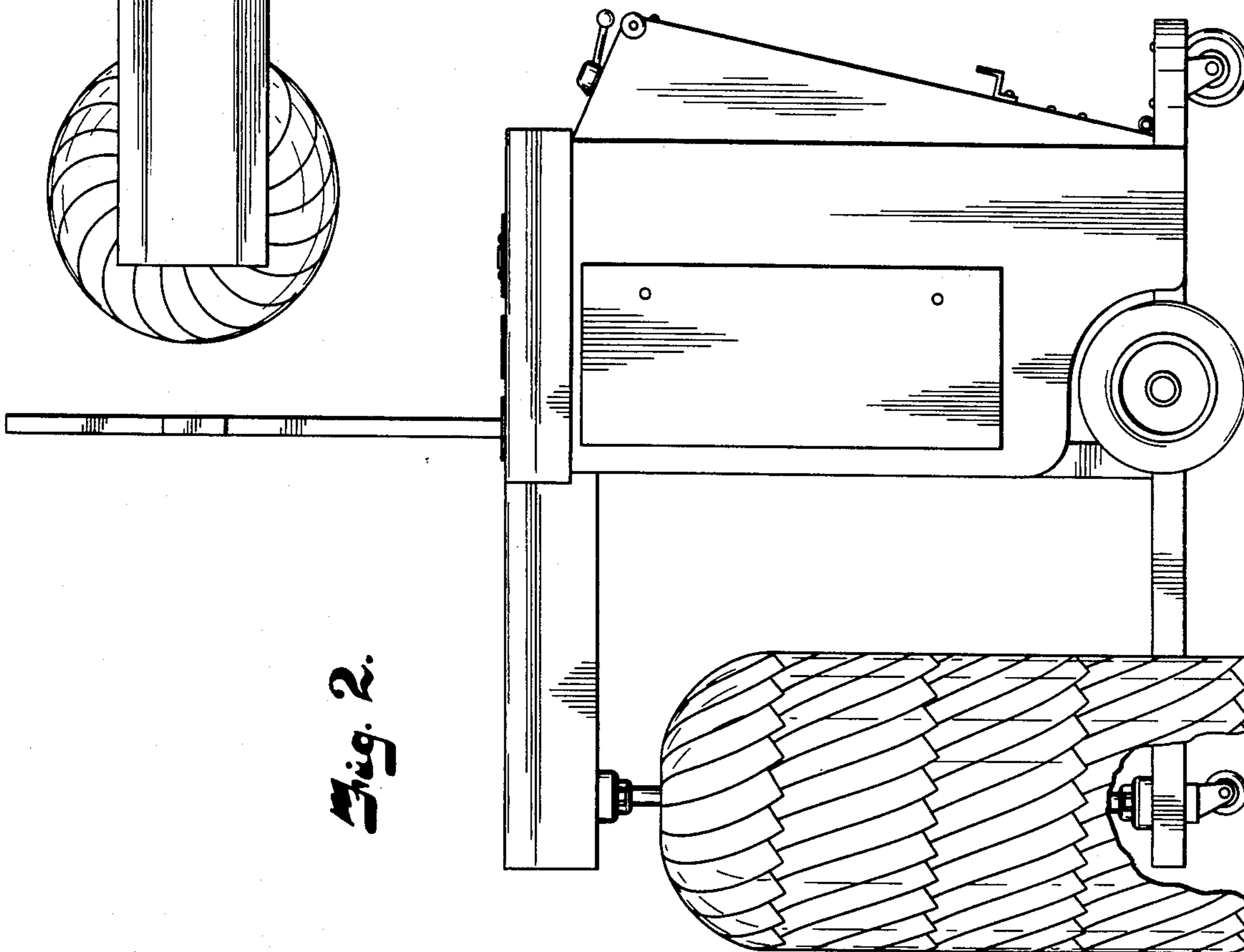


Fig. 2.