

[54] SUBSCRIBER TERMINAL CONSOLE

[75] Inventors: James Lee Fischer, Upper Arlington, Ohio; George Payne, Bedford Hills, N.Y.

[73] Assignee: Warner Cable Corporation, New York, N.Y.

[\*\*] Term: 14 Years

[21] Appl. No.: 685,289

[22] Filed: May 11, 1976

[51] Int. Cl. .... D14-99

[52] U.S. Cl. .... D14/45

[58] Field of Search ..... D64/11 R, 11 B, 11 C; 235/145 R; 200/5 R, 5 A; 317/120; D14/40-45

[56] References Cited

U.S. PATENT DOCUMENTS

- D. 225,646 12/1972 Klepa et al. .... D26/5 C
- D. 226,566 3/1973 Klepa et al. .... D26/5 C

D. 227,472 6/1973 Hikawa ..... D26/5 C

OTHER PUBLICATIONS

Office Products, Aug. 1974, p. 47, Rockwell Calculator Model No. 204.

Primary Examiner—Wallace R. Burke

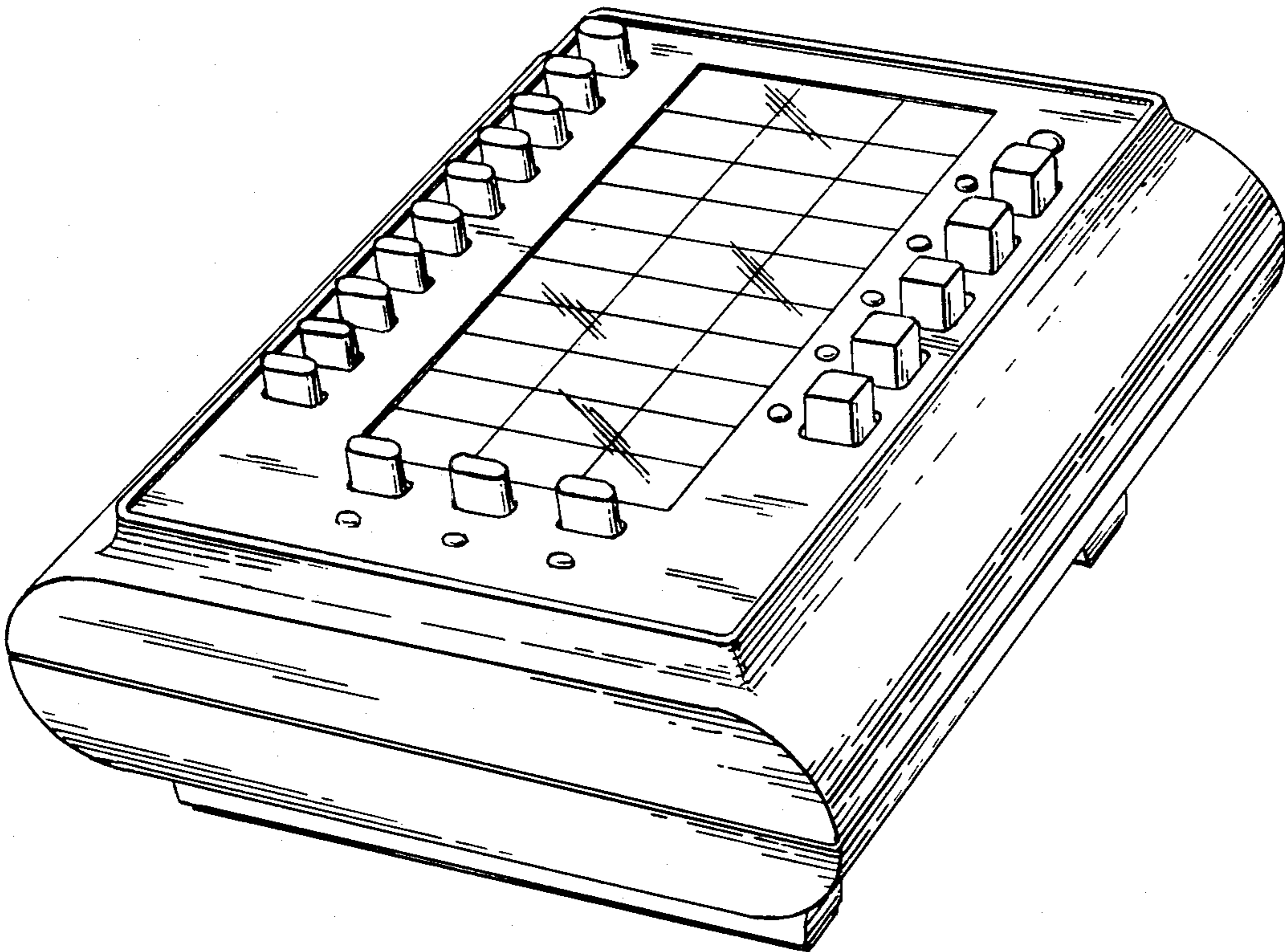
Assistant Examiner—Catherine Kemper

[57] CLAIM

The ornamental design for a subscriber terminal console, substantially as shown and described.

DESCRIPTION

FIG. 1 is a front elevational view of a subscriber terminal console showing our new design, FIG. 2 is a rear elevational view thereof, FIG. 3 is a left side elevational view thereof, FIG. 4 is a right side elevational view thereof, FIG. 5 is a top elevational view thereof, FIG. 6 is a bottom elevational view thereof, and FIG. 7 is a perspective view thereof shown on a slightly larger scale.



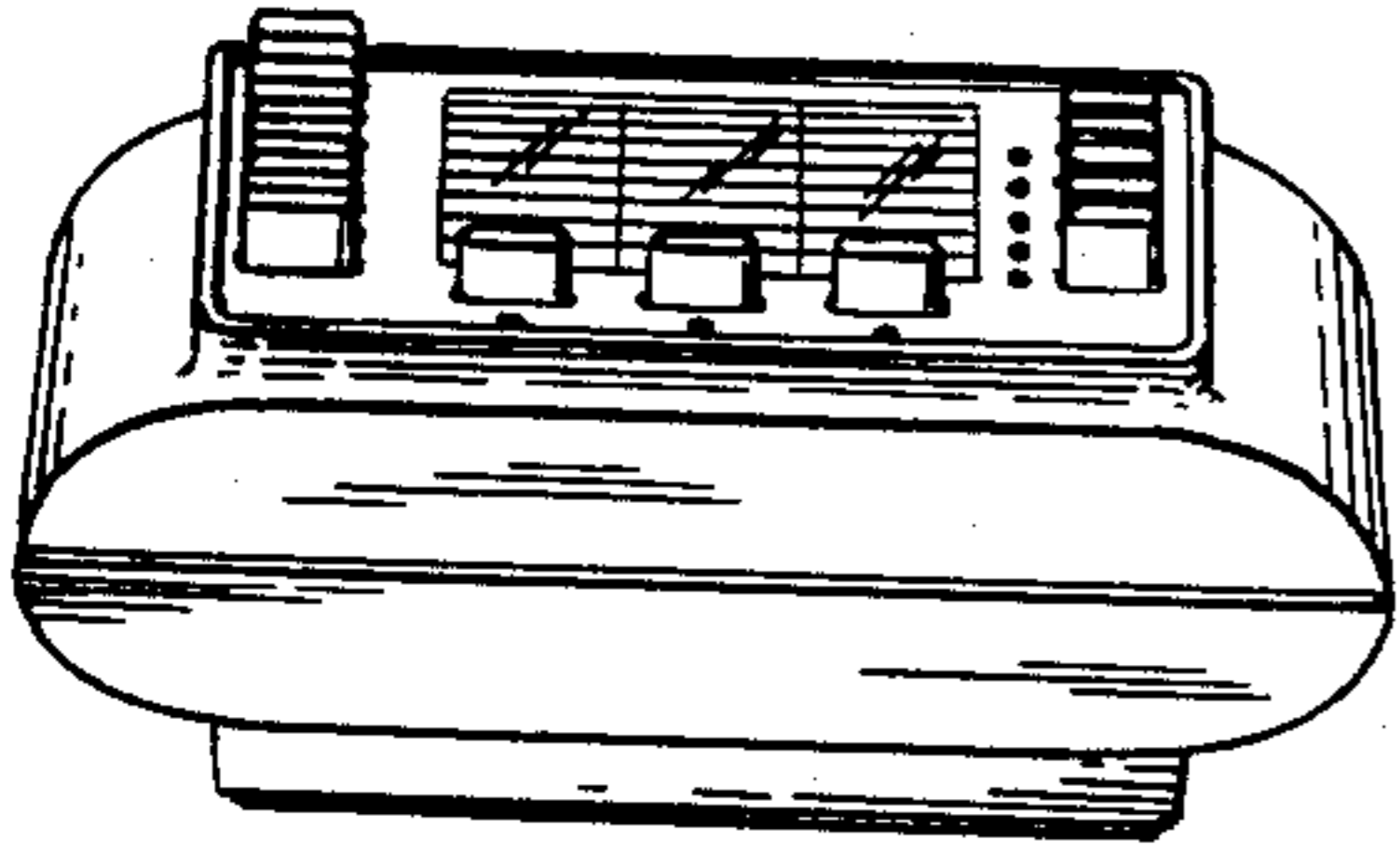


FIG. 1

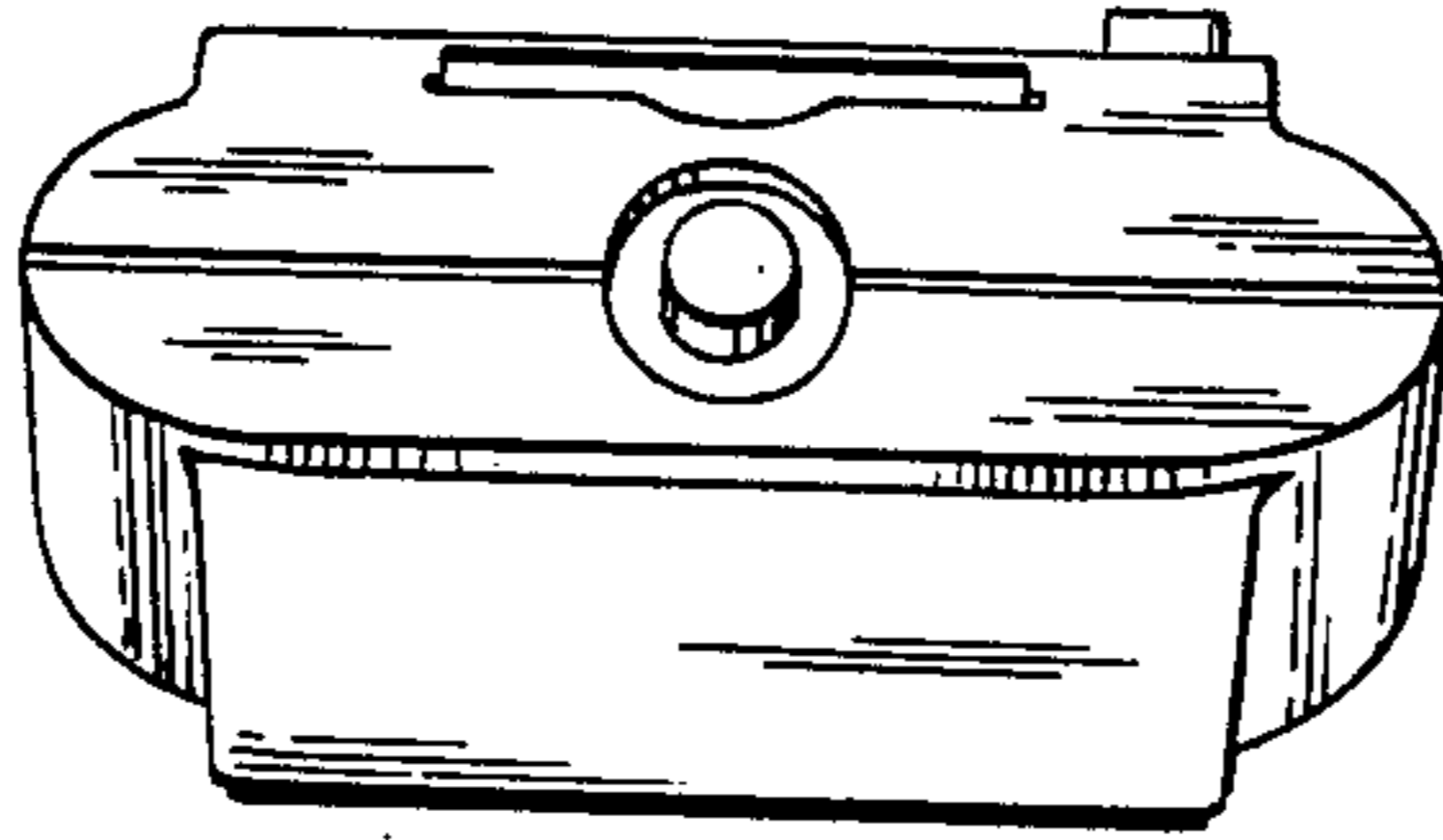


FIG. 2

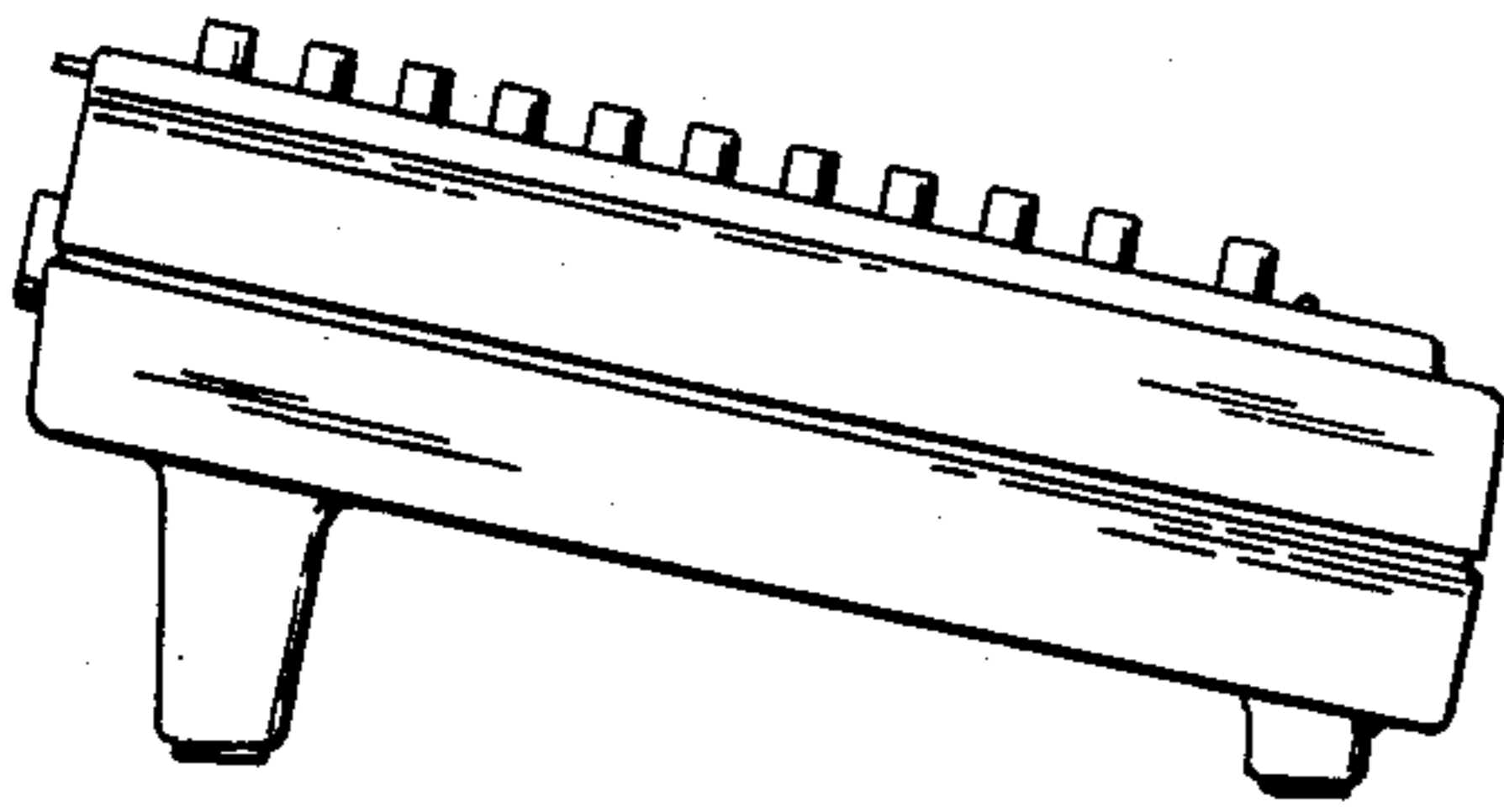


FIG. 3

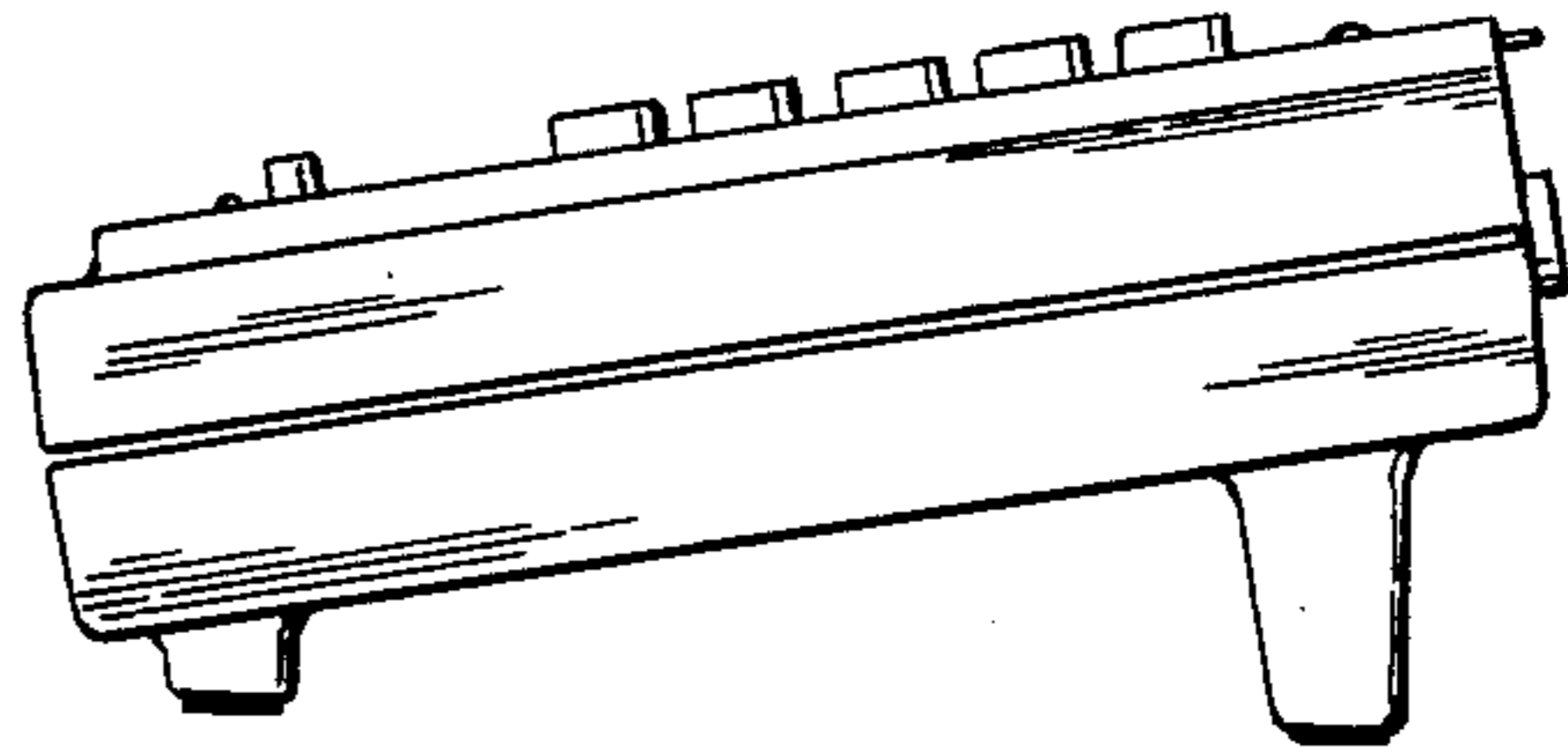


FIG. 4

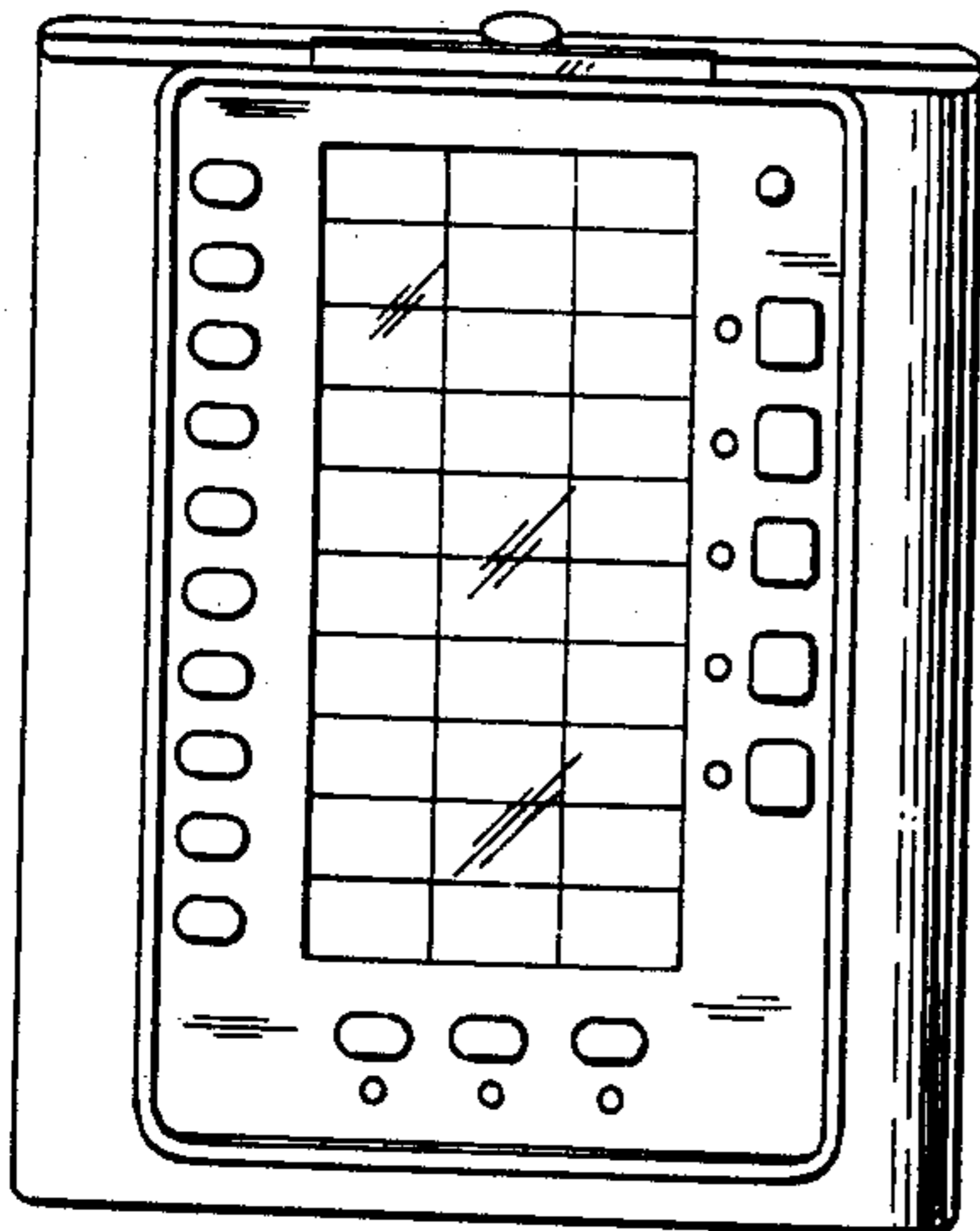


FIG. 5

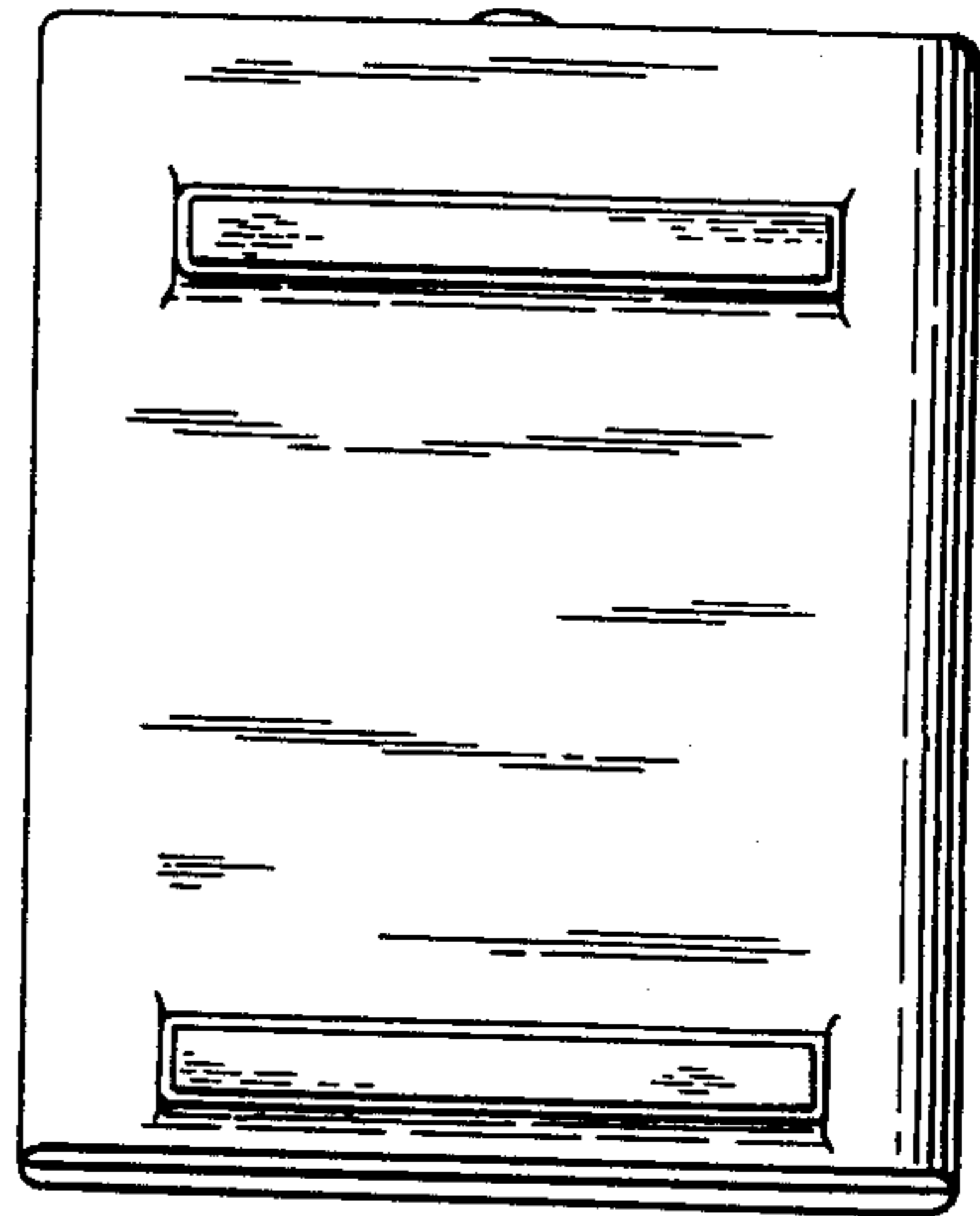


FIG. 6

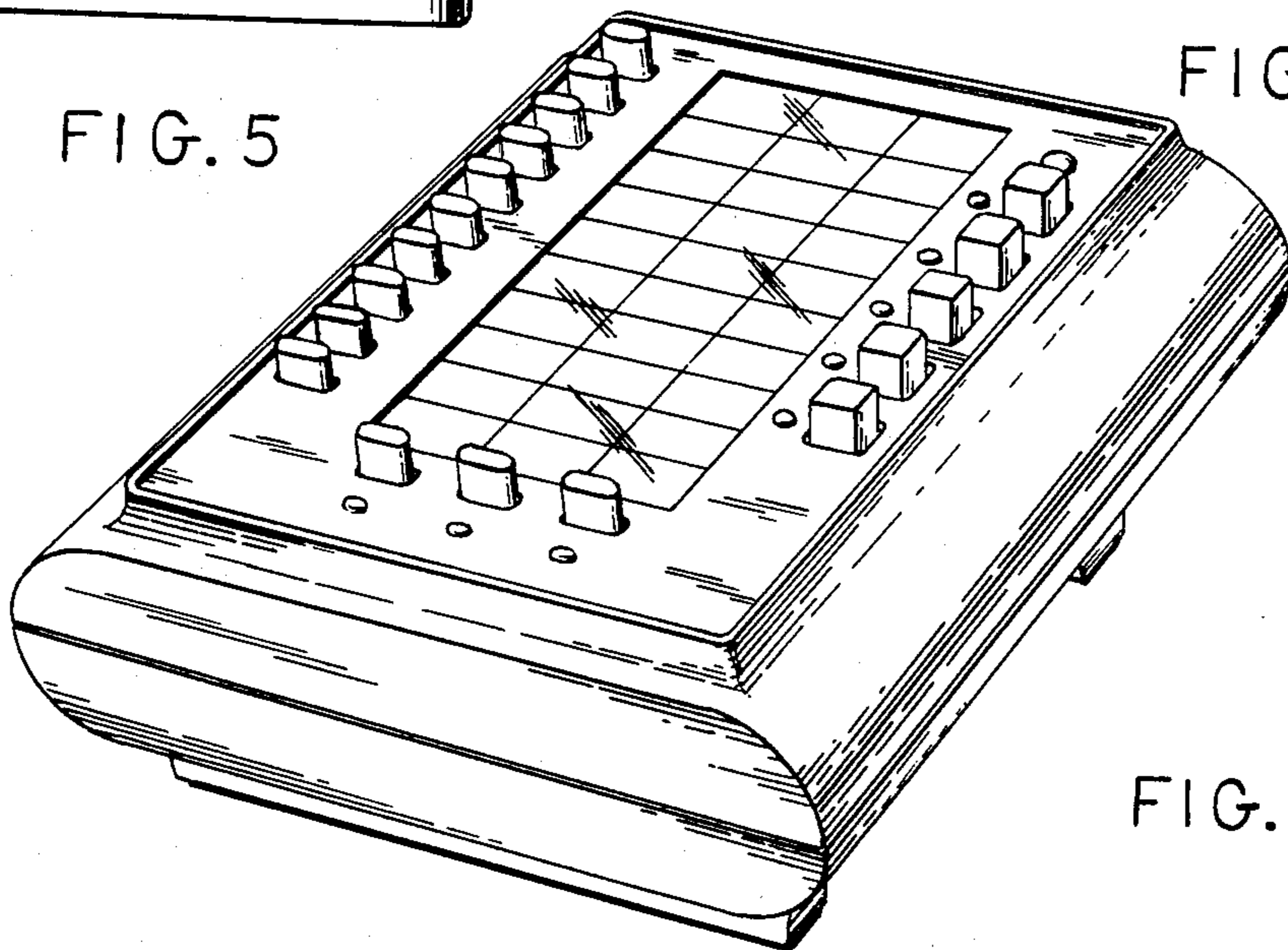


FIG. 7