

[54] BOAT

[76] Inventor: Robert John Deputy, 4004 Forest Lane, Elkhart, Ind. 46514

[**] Term: 14 Years

[21] Appl. No.: 715,924

[22] Filed: Aug. 19, 1976

[51] Int. Cl. D12-06

[52] U.S. Cl. D12/68

[58] Field of Search D12/68; 115/22, 23, 115/25, 26

[56]

References Cited

U.S. PATENT DOCUMENTS

D. 215,038	8/1969	Reeder	D12/68
D. 221,405	8/1971	Schropfer	D12/68
3,648,644	3/1972	Smith	115/26

Primary Examiner—Alan P. Douglas

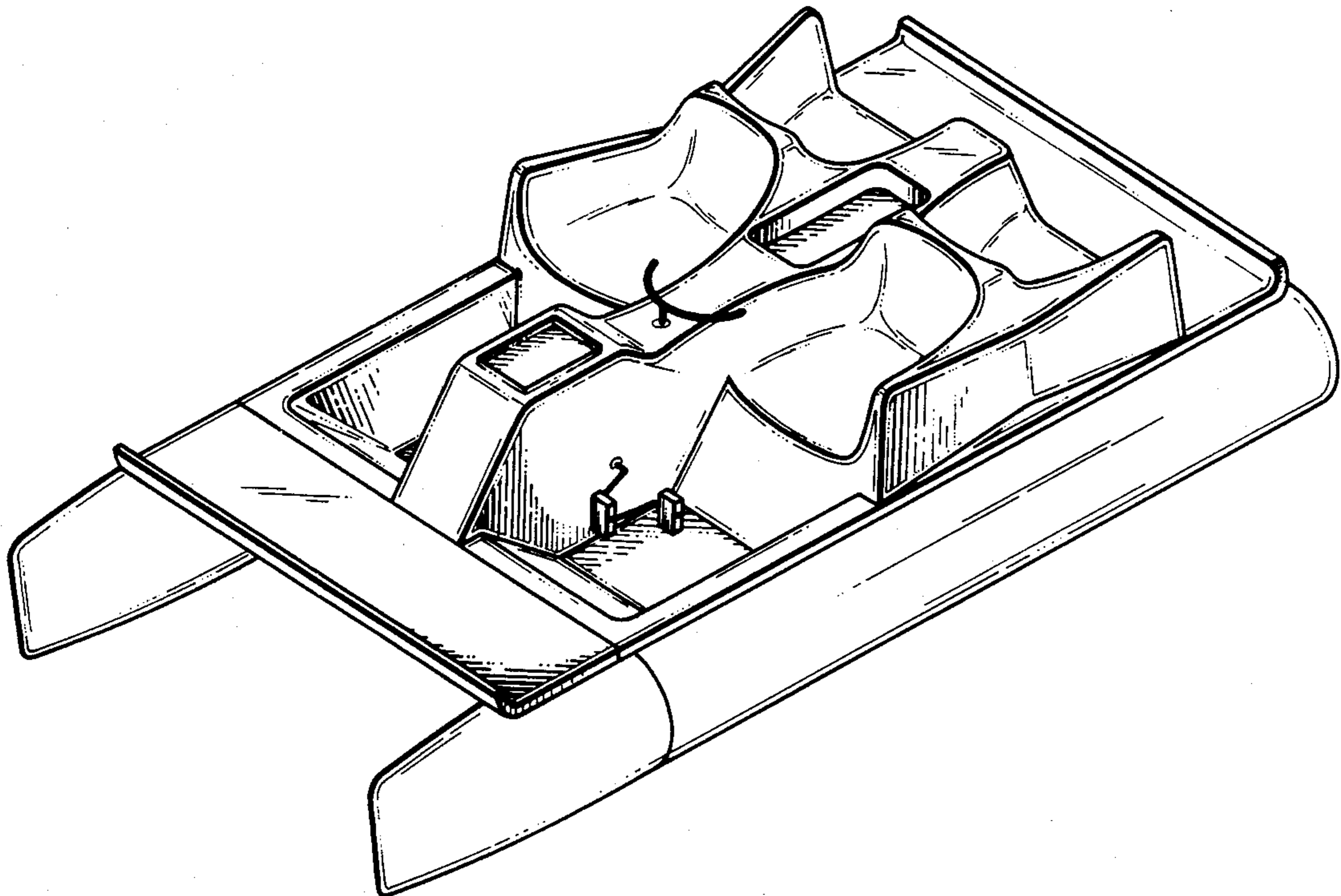
[57]

CLAIM

The ornamental design for a boat, substantially as shown and described.

DESCRIPTION

FIG. 1 is a front isometric view of a boat embodying the new design; and
FIG. 2 is a rear isometric view thereof.



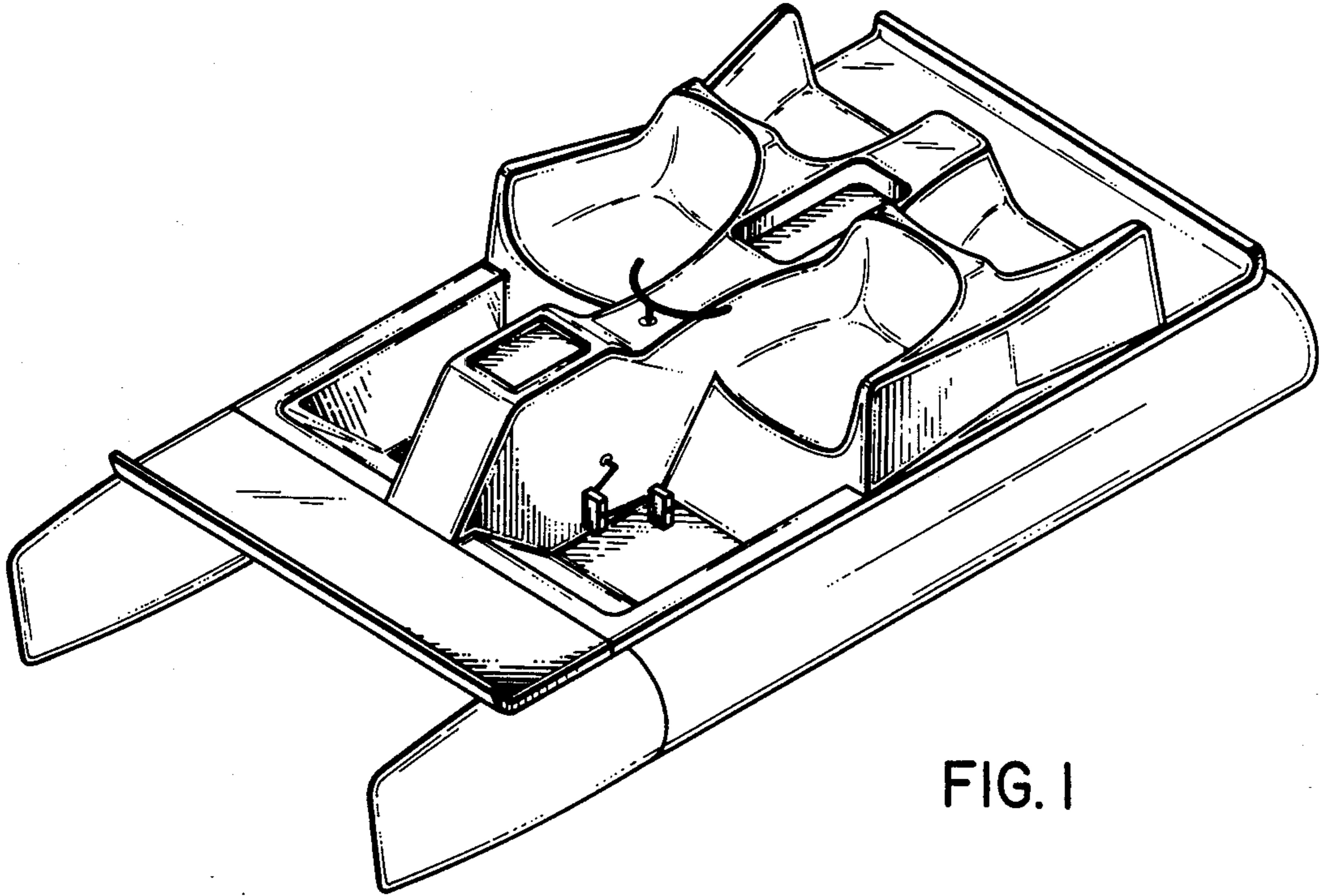


FIG. 1

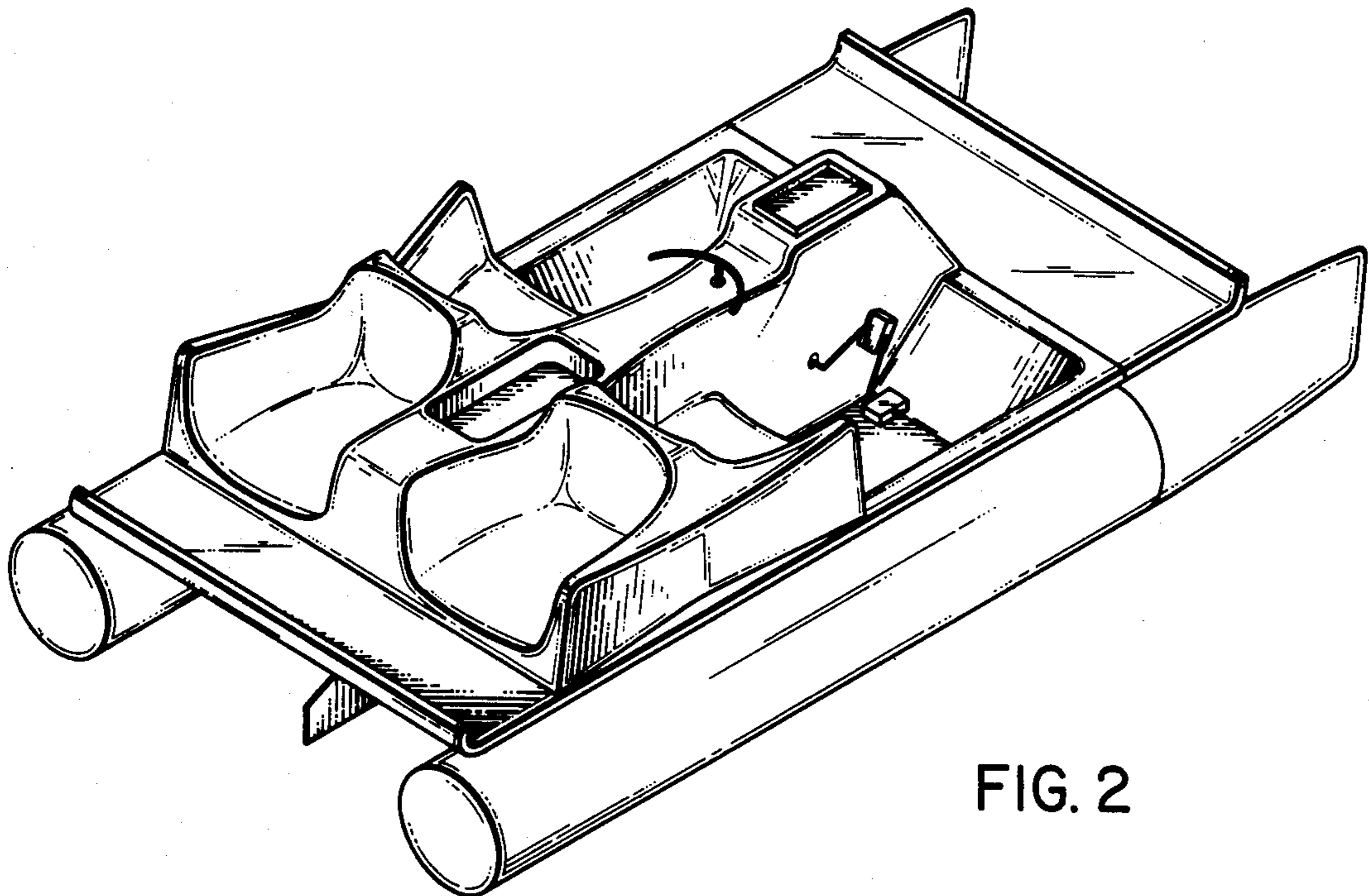


FIG. 2