

[54] **PLANTER**

[76] **Inventor:** Edward A. Wagschal, 21 E. 62nd St.,
New York, N.Y. 10021

[**] **Term:** 14 Years

[21] **Appl. No.:** 689,486

[22] **Filed:** May 24, 1976

[51] **Int. Cl.** D11-02

[52] **U.S. Cl.** D11/147

[58] **Field of Search** D6/113, 137, 182;
D11/143, 146, 147, 148, 149, 152, 153, 154, 155,
156; D7/3, 12, 22, 23; 47/1.2, 34 R, 34.12,
34.13, 35

[56] **References Cited**

U.S. PATENT DOCUMENTS

D. 51,081 7/1917 Rincken D11/154

D. 152,655 2/1949 Rossell D11/147
D. 202,209 9/1965 Myers et al. D11/147

FOREIGN PATENT DOCUMENTS

D120,768 3/1900 Germany 47/34.13

Primary Examiner—Wallace R. Burke

Assistant Examiner—B. J. Bullock

Attorney, Agent, or Firm—Morton Amster

[57] **CLAIM**

The ornamental design for a planter, as shown and described.

DESCRIPTION

FIG. 1 is a side elevational view of a planter showing my new design;

FIG. 2 is a side elevational view taken at a 45° angle from FIG. 1;

FIG. 3 is a top plan view thereof; and

FIG. 4 is a bottom plan view thereof.

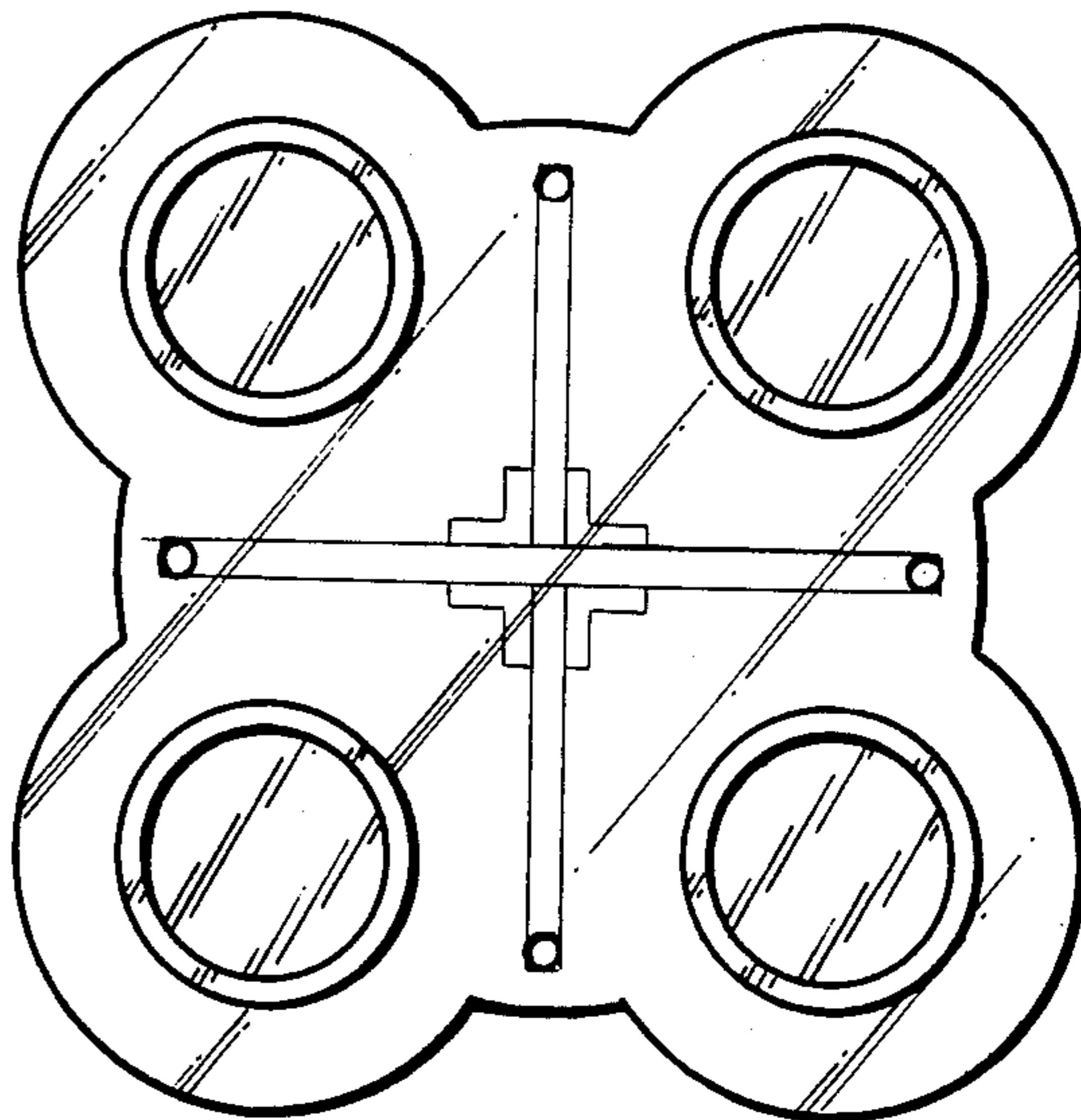
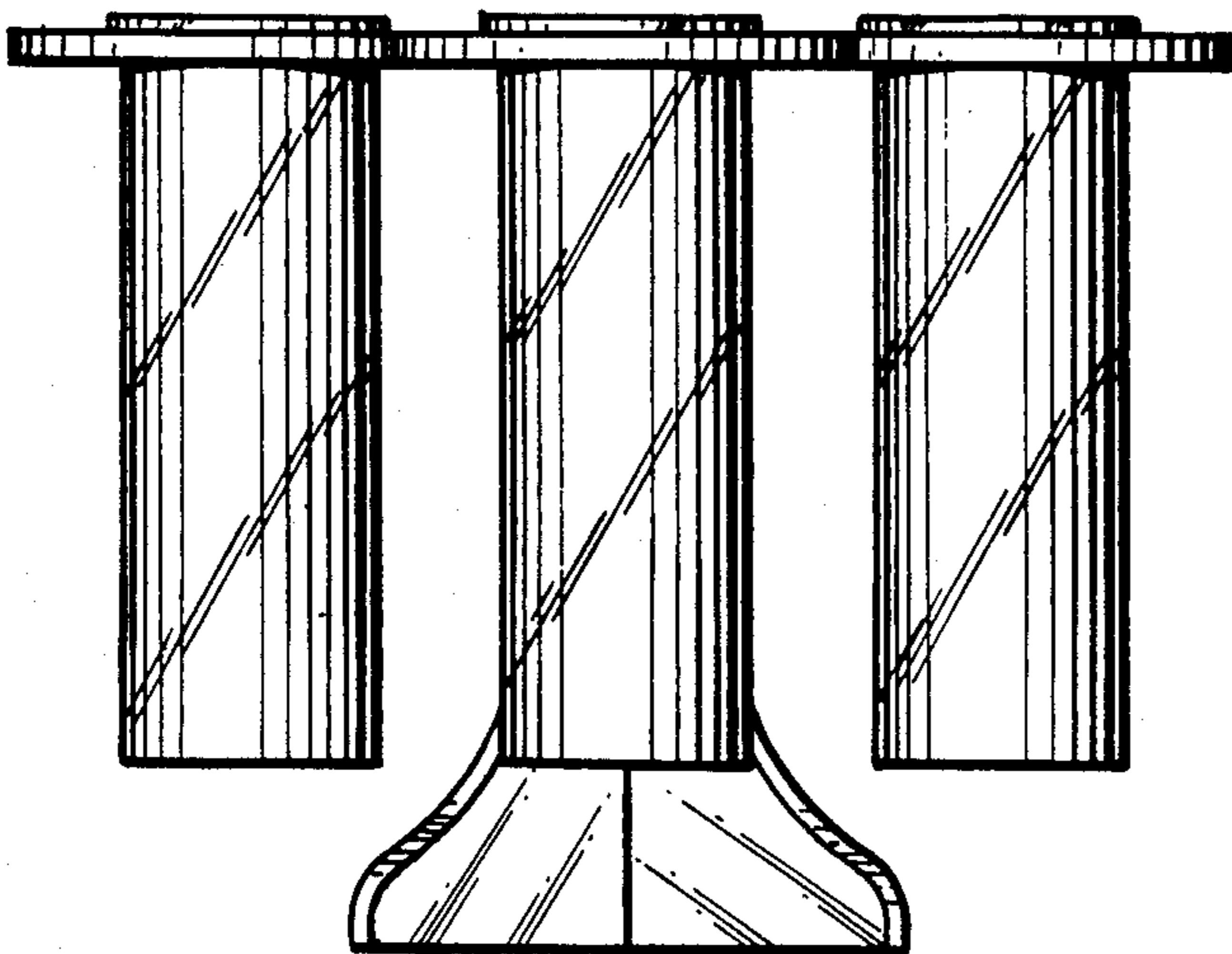


FIG. 1.

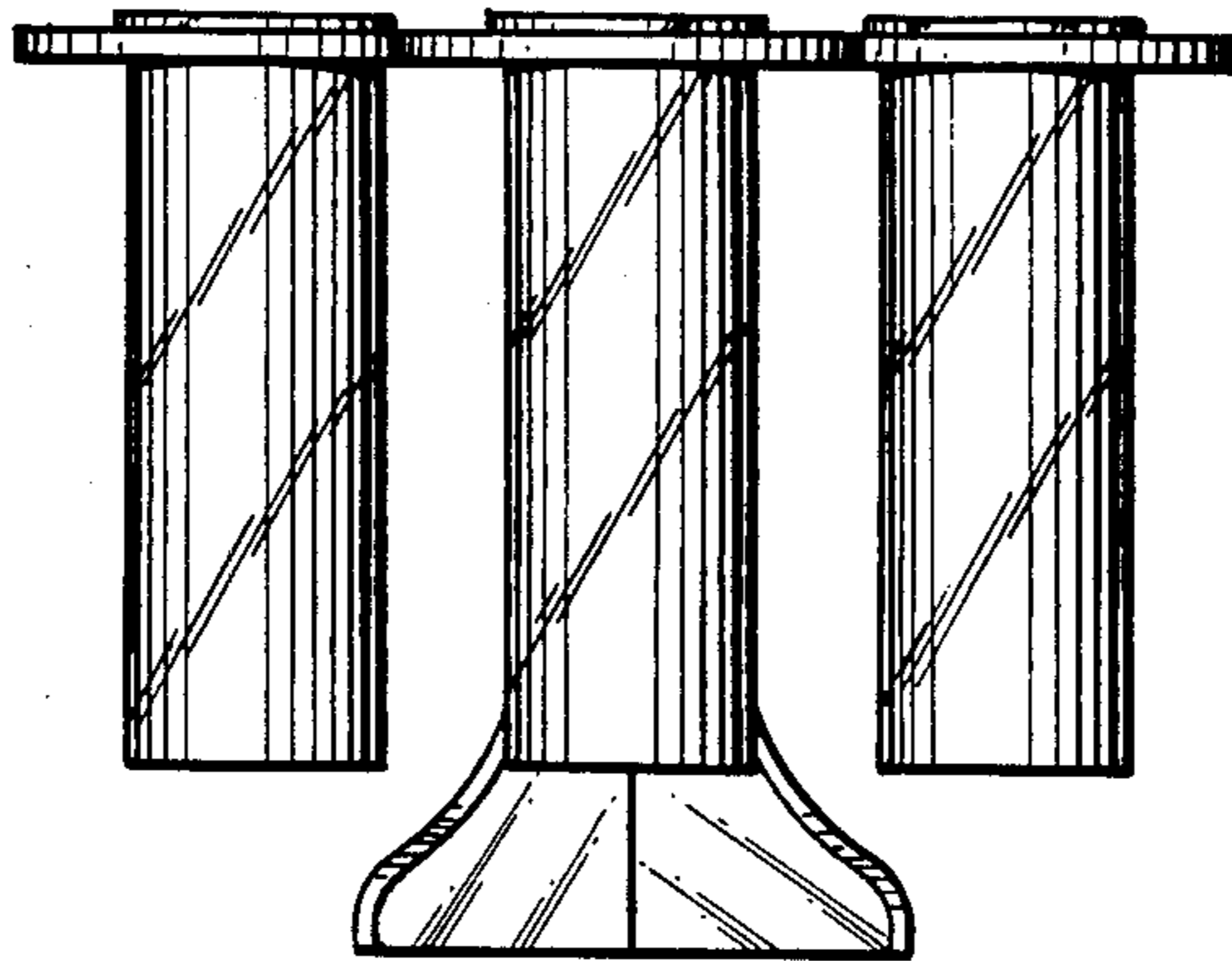


FIG. 2.

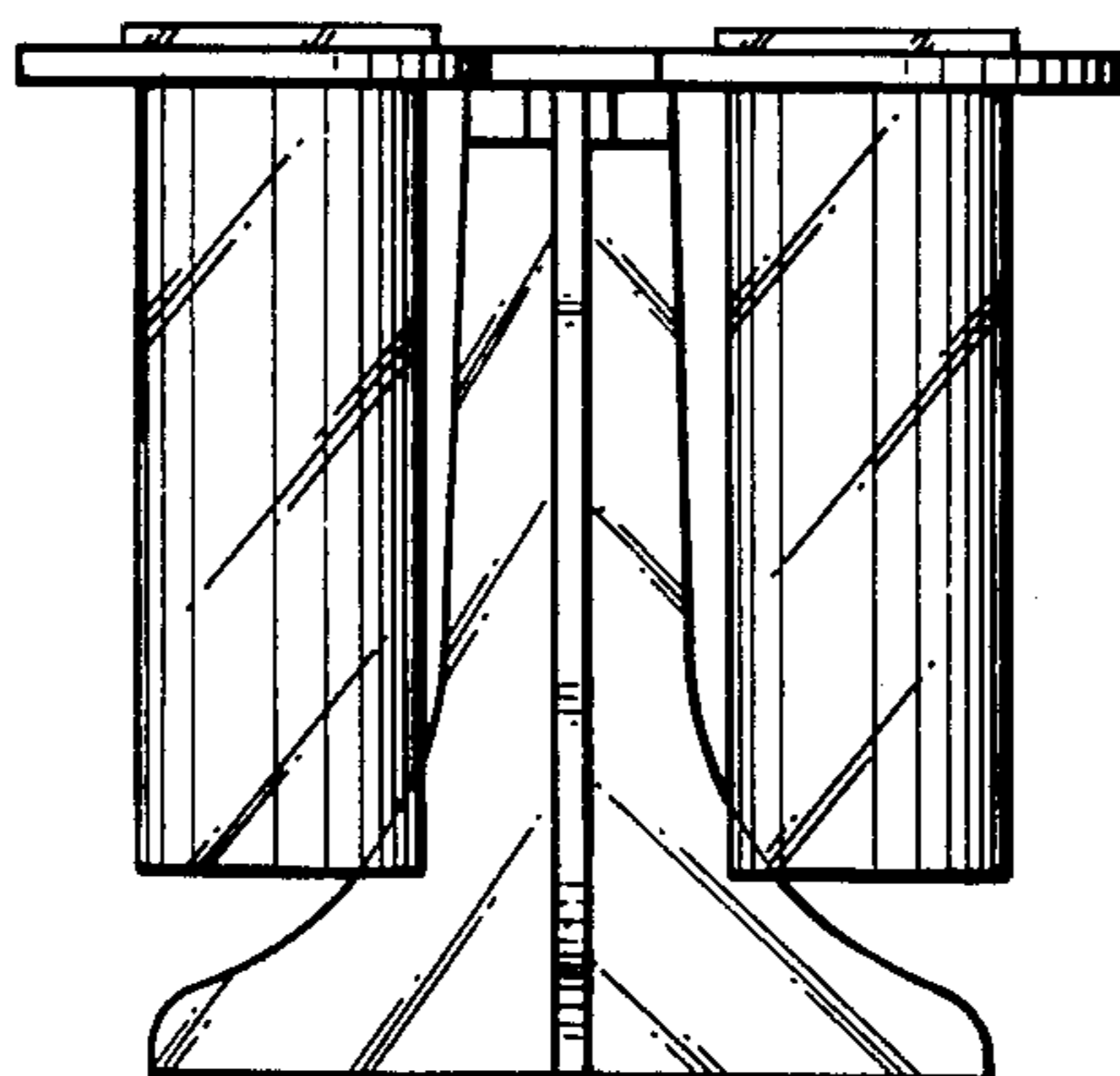


FIG. 3.

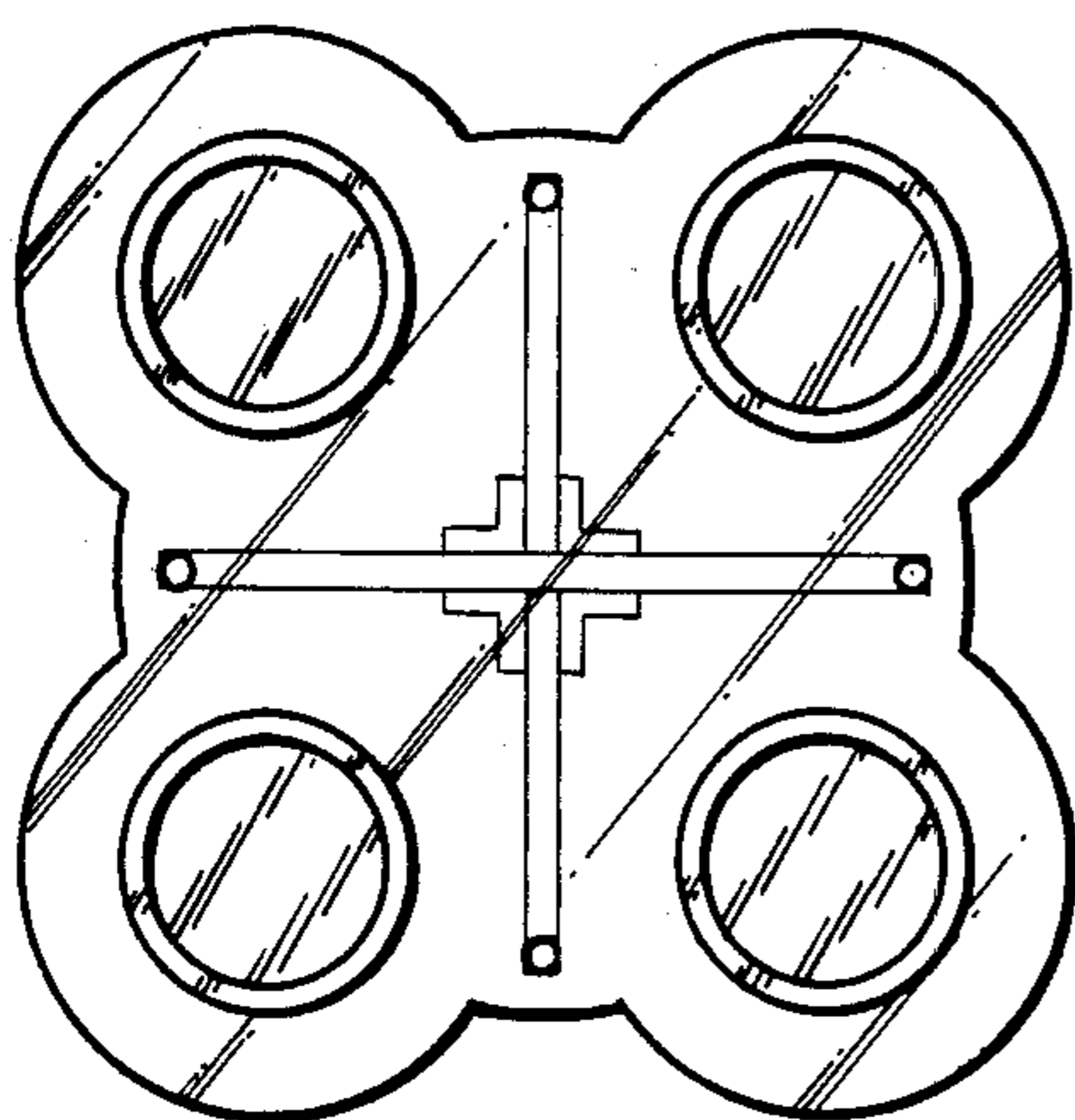


FIG. 4.

