

[54] BEVERAGE CONTAINER

[76] Inventors: Gary F. Anger, 2050 Southwest
Expr., San Jose, Calif. 95126; Joseph
C. Sesnak, 2309 Price Way, San Jose,
Calif. 95124

[**] Term: 14 Years

[21] Appl. No.: 669,227

[22] Filed: Mar. 22, 1976

[51] Int. Cl. D9-01

[52] U.S. Cl. D9/28

[58] Field of Search D9/69, 28, 70, 195,
D9/170, 225; D15/112

[56] References Cited

U.S. PATENT DOCUMENTS

D. 92,986	8/1934	Stilwell	D15/112
D. 119,205	2/1940	Post	D9/225 X
D. 175,182	7/1955	Meditz	D9/69 X
D. 193,533	9/1962	Berns	D9/28

Primary Examiner—Robert C. Spangler
Attorney, Agent, or Firm—Jack M. Wiseman

[57] CLAIM

The ornamental design of a beverage container, sub-
stantially as shown.

DESCRIPTION

FIG. 1 is a top, front perspective view of a beverage
dispenser showing our new design; and
FIG. 2 is a rear, bottom perspective view thereof.

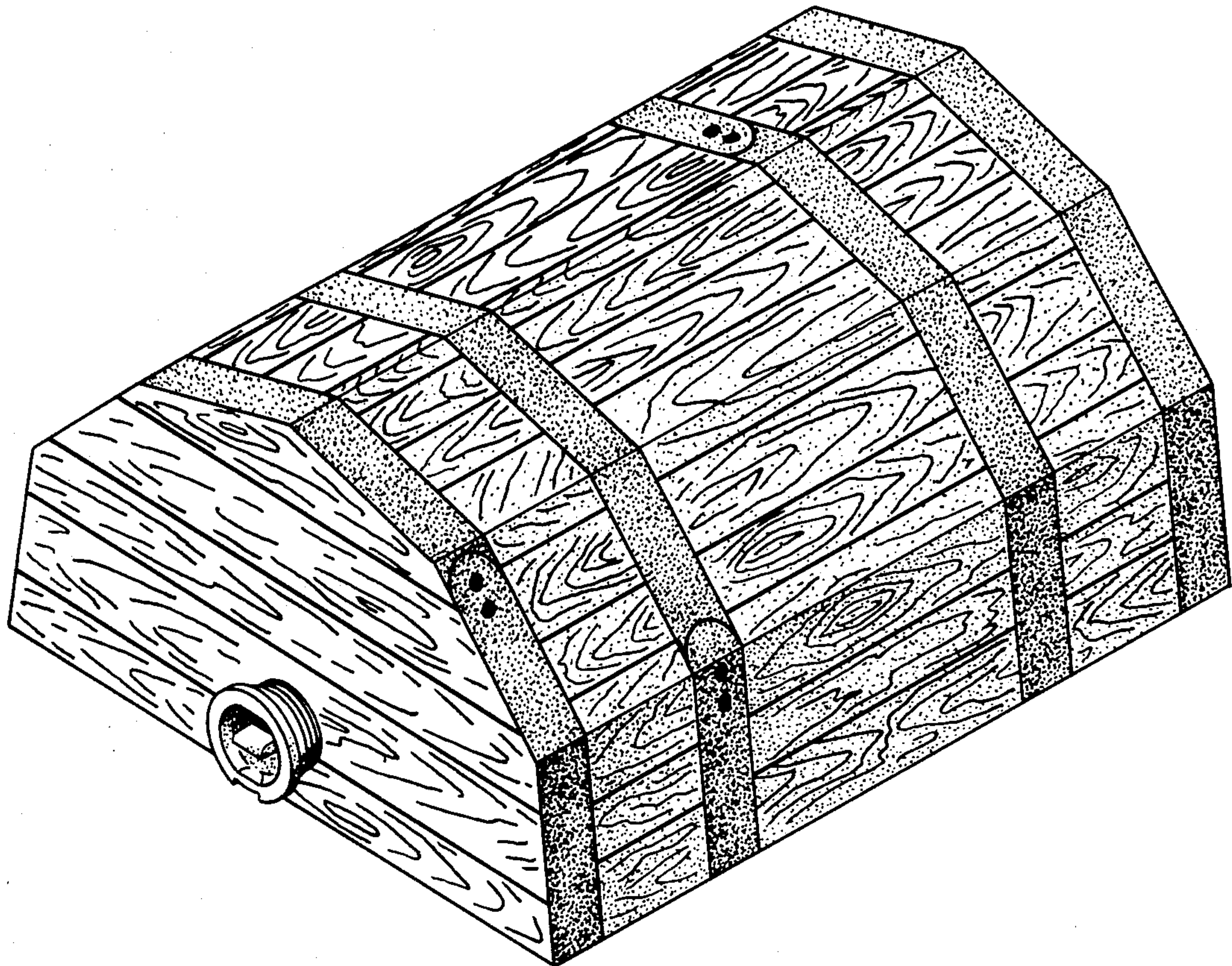


FIG-1

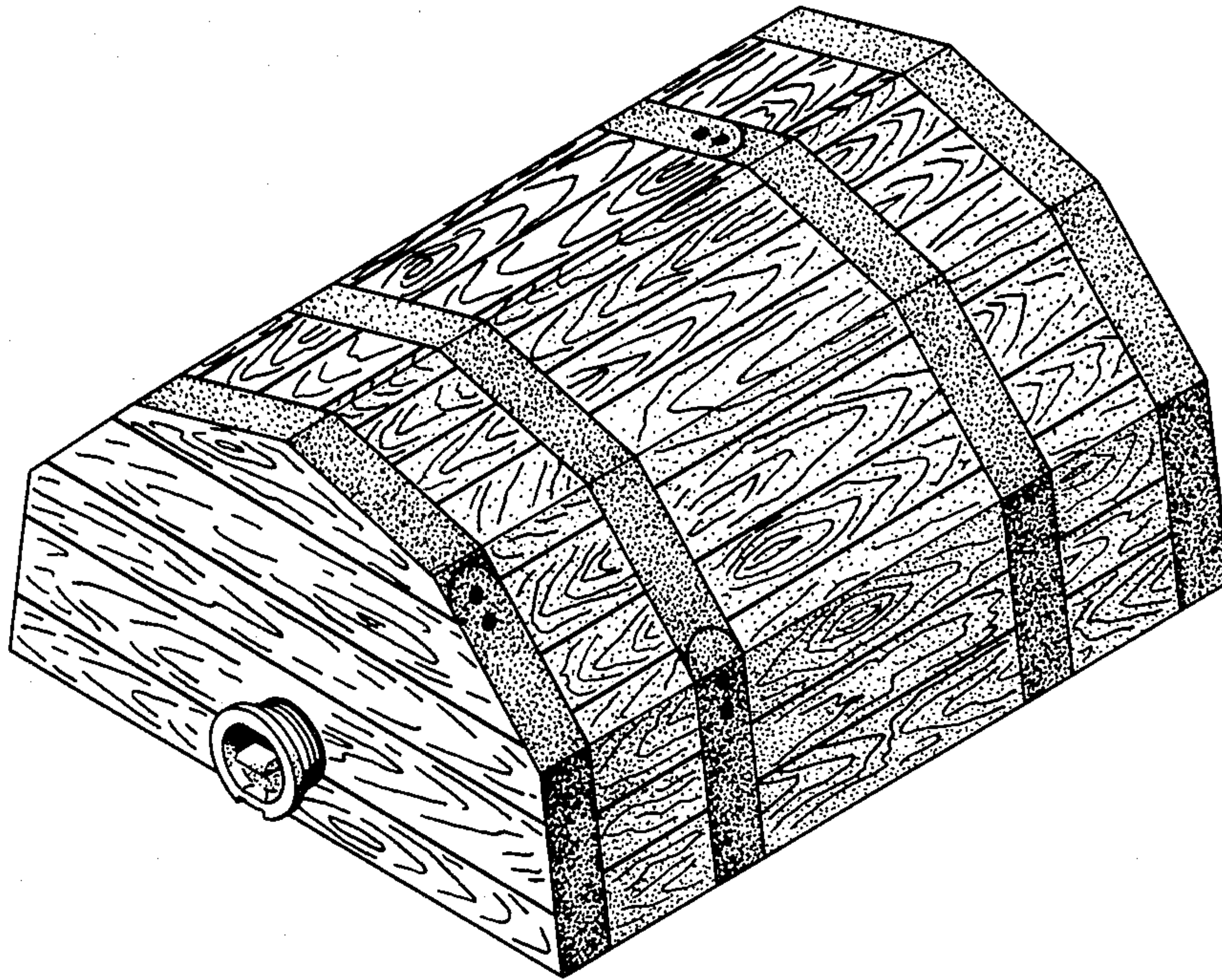


FIG-2

