

[54] MATERIALS HANDLING DEVICE

[75] Inventors: Lance K. Poulsen; Richard D. Miller, both of Racine, Wis.; Robert D. Flinn, Highland Park, Ill.

[73] Assignee: Rajo Motor & Manufacturing Company, Racine, Wis.

[**] Term: 14 Years

[21] Appl. No.: 712,731

[22] Filed: Aug. 9, 1976

[51] Int. Cl. D8-05

[52] U.S. Cl. D8/71

[58] Field of Search D8/71, 14; 294/64 R

[56] References Cited

U.S. PATENT DOCUMENTS

D. 195,589 7/1963 Charniga D8/71

D. 199,333	10/1964	Finley	D8/14
2,212,755	8/1940	Solomon	294/64 R
3,061,351	10/1962	Johnson	294/64 R
3,831,991	8/1974	Lukeman	294/64 R

Primary Examiner—Alan P. Douglas
Attorney, Agent, or Firm—Gerrit D. Foster

[57] CLAIM

The ornamental design for a materials handling device, substantially as shown and described.

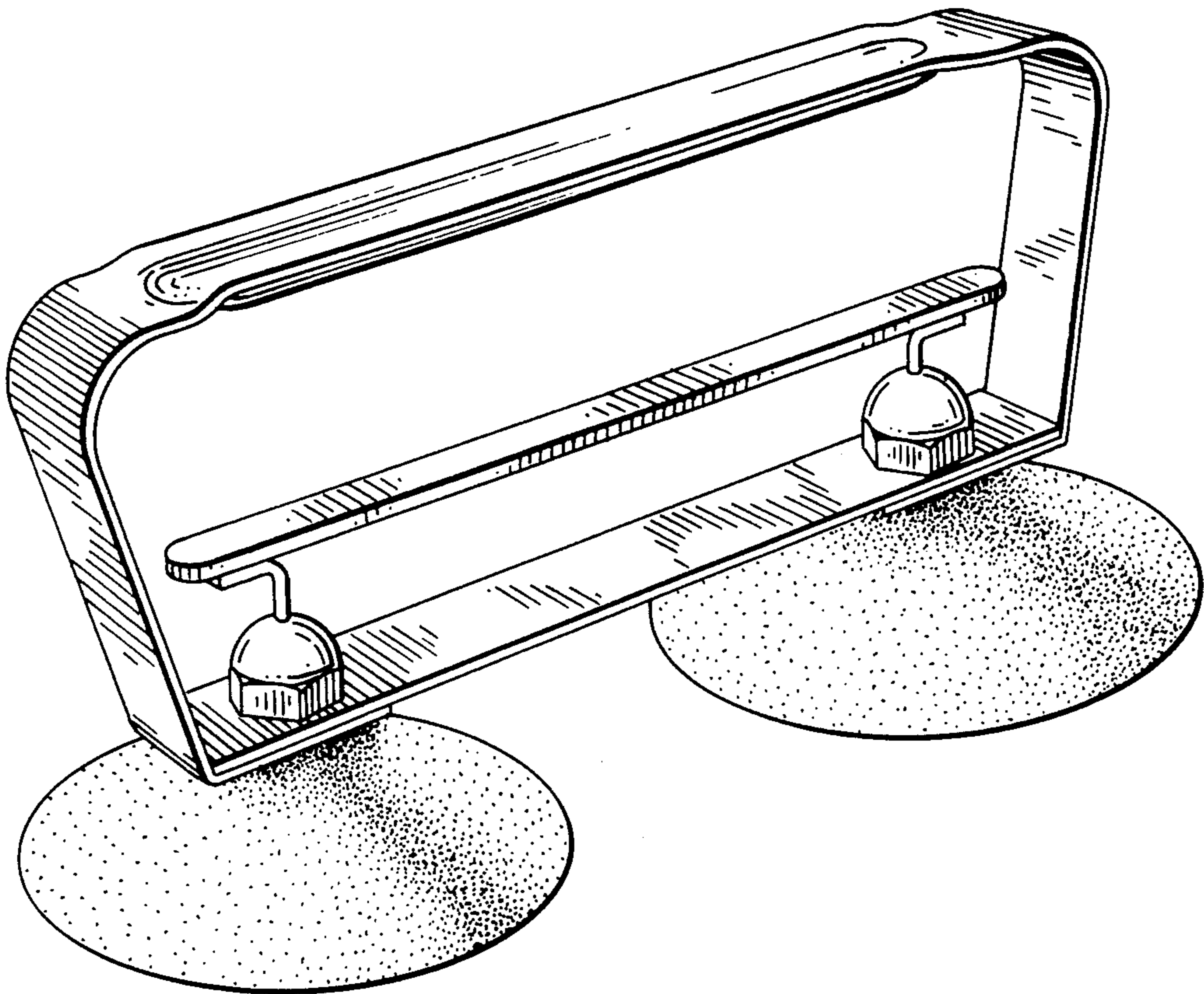
DESCRIPTION

FIG. 1 is a perspective view of a materials handling device;

FIG. 2 is a top plan view of the materials handling device of FIG. 1;

FIG. 3 is a bottom plan view of the materials handling device of FIG. 1; and

FIG. 4 is an end elevation view of the materials handling device of FIG. 1.



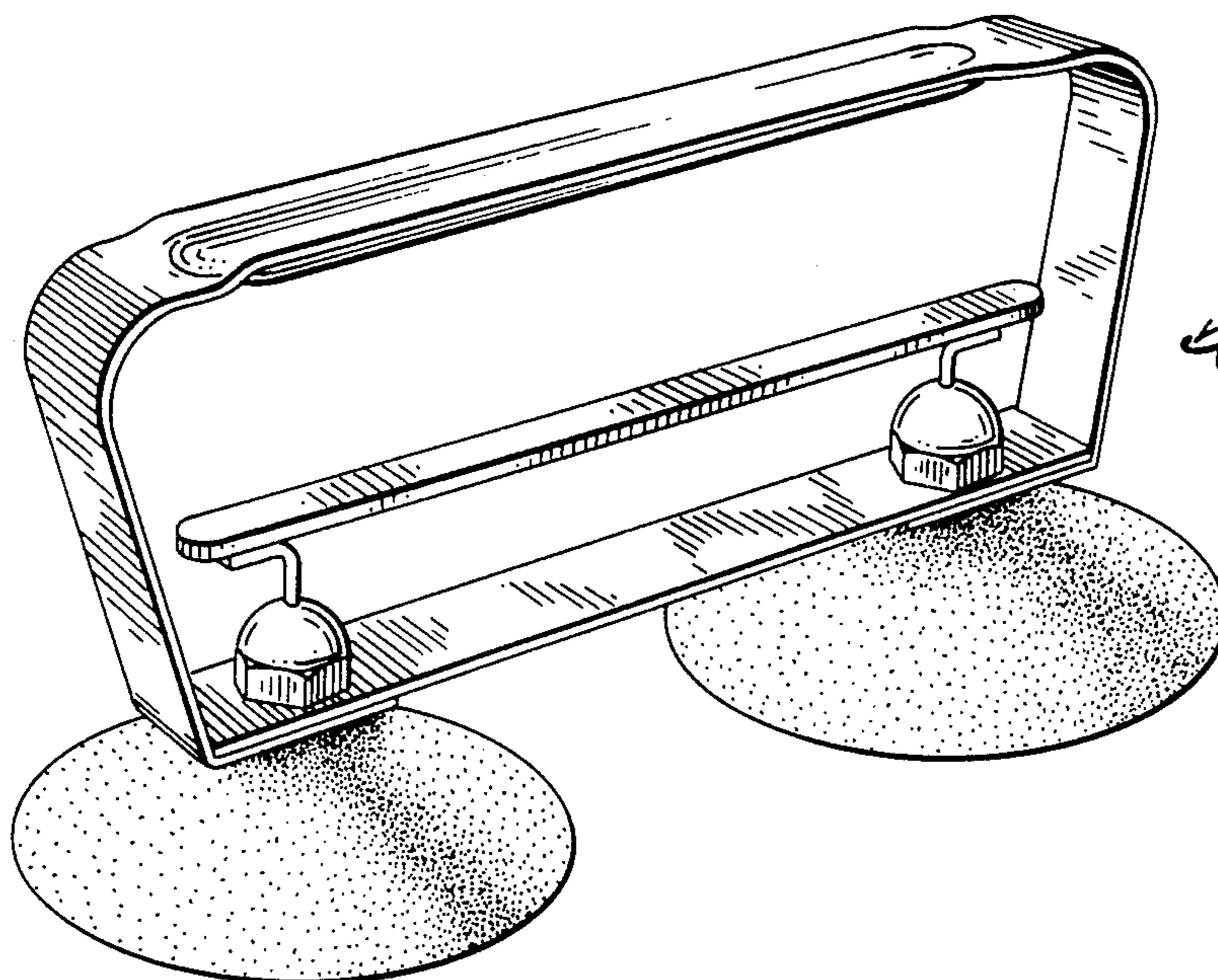


Fig. 1

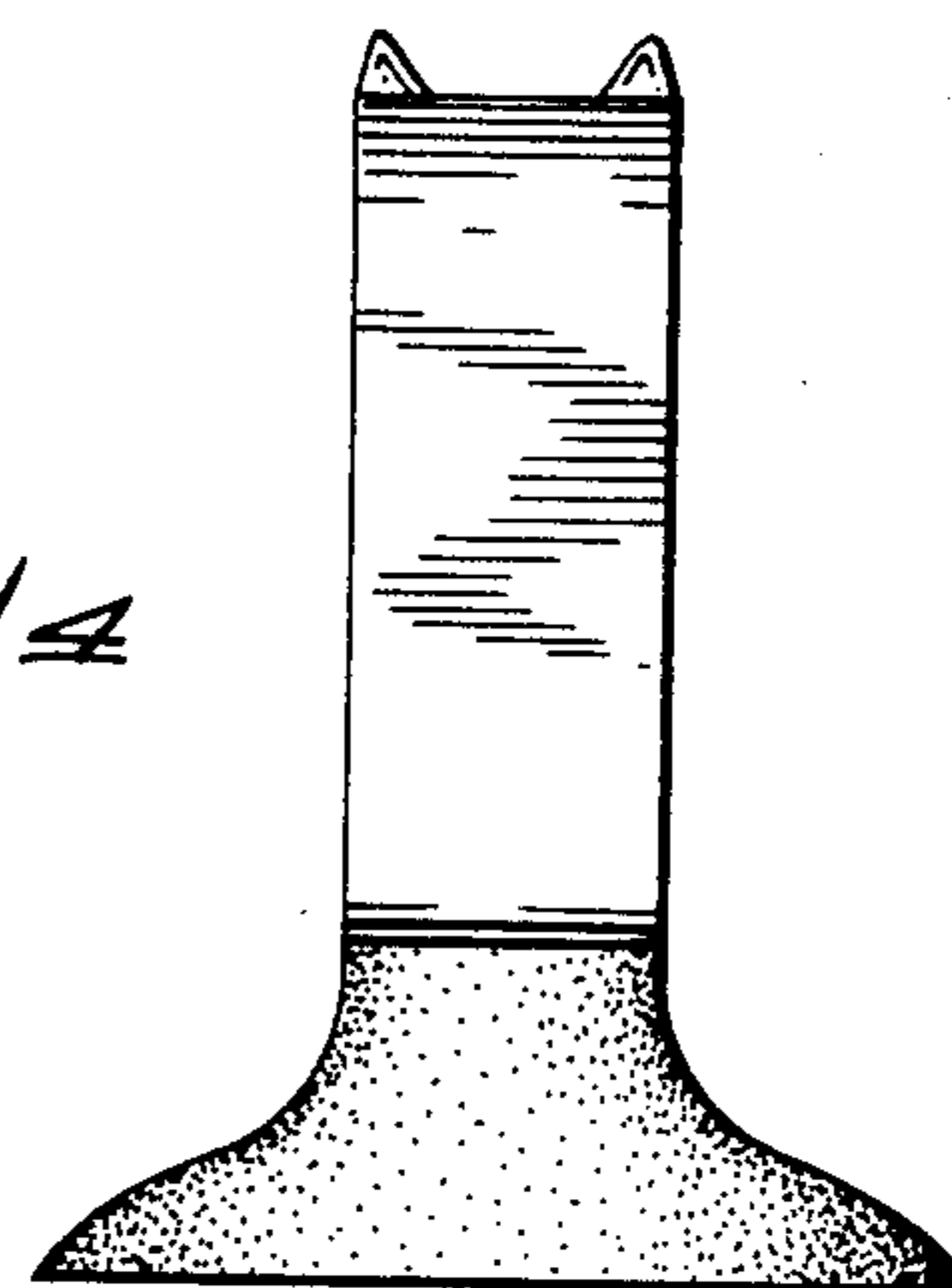


Fig. 4

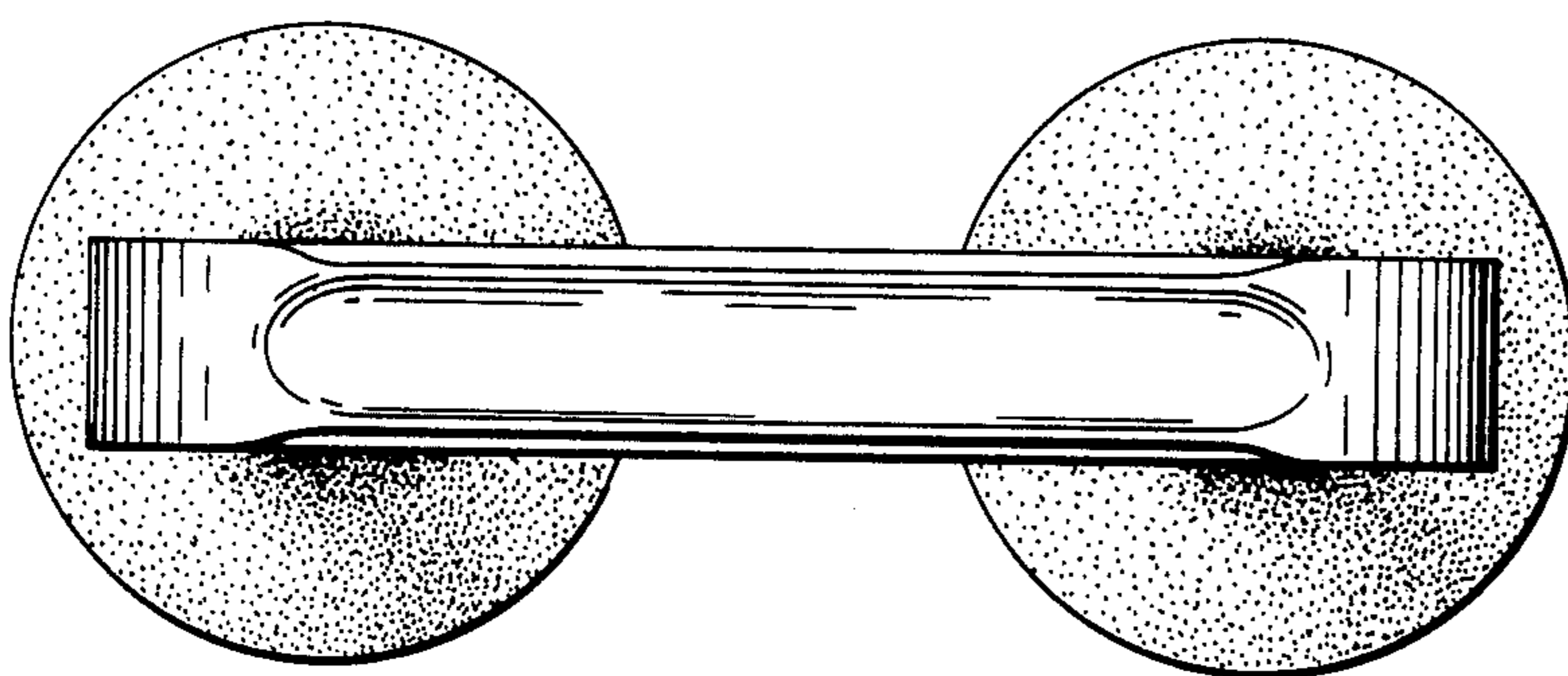


Fig. 2

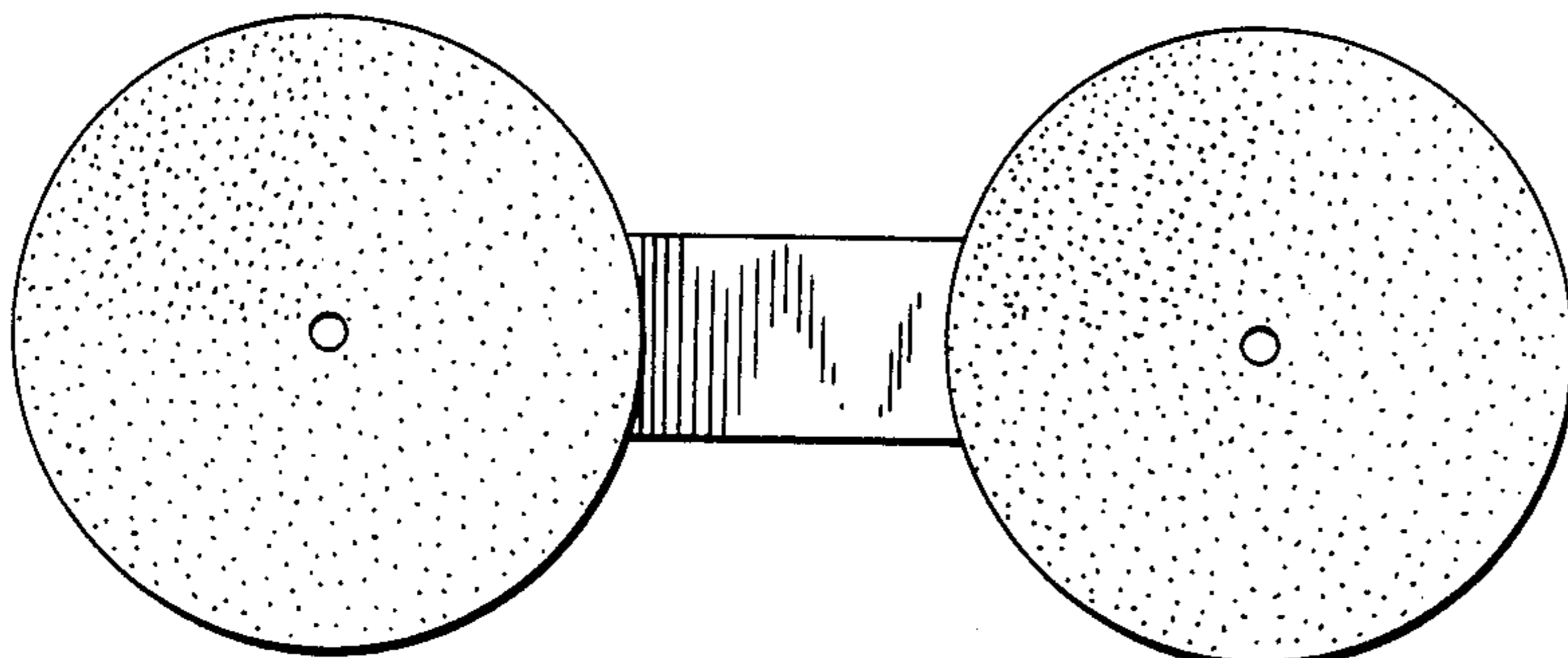


Fig. 3