

[54] **COOKIE CUTTER**

[76] Inventor: **Paula J. Montano**, 56 Clark St., New Haven, Conn. 06511

[**] Term: **14 Years**

[21] Appl. No.: **670,884**

[22] Filed: **Mar. 26, 1976**

[51] Int. Cl. **D7-04**

[52] U.S. Cl. **D7/43**

[58] Field of Search **D7/43, 44, 5; D9/195, D9/229; D1/15, 99**

[56] **References Cited**

U.S. PATENT DOCUMENTS

- D. 24,342 5/1895 Henderson D7/43
- D. 101,584 10/1936 Hoffman D7/43

OTHER PUBLICATIONS

Aluminum Goods Mfg. Co., *Gadgets and Smallware*, No. 127, 1951, p. 4, cooky cutters.

Primary Examiner—Winifred E. Herrmann
Attorney, Agent, or Firm—Anthony P. Delio

[57] **CLAIM**

The ornamental design for a cookie cutter, substantially as shown and described.

DESCRIPTION

FIG. 1 is a top plan view of a cookie cutter showing my new design;
 FIG. 2 is a bottom plan view thereof;
 FIG. 3 is an elevational view as seen from the bottom of FIG. 1;
 FIG. 4 is an elevational view as seen from the top of FIG. 1;
 FIG. 5 is an elevational view as seen from the right of FIG. 1;
 FIG. 6 is an elevational view as seen from the left of FIG. 1;
 FIG. 7 is a bottom plan view of the cookie cutter of FIG. 1 showing a modified form; and,
 FIG. 8 is a sectional view thereof taken on line 8—8 of FIG. 1.

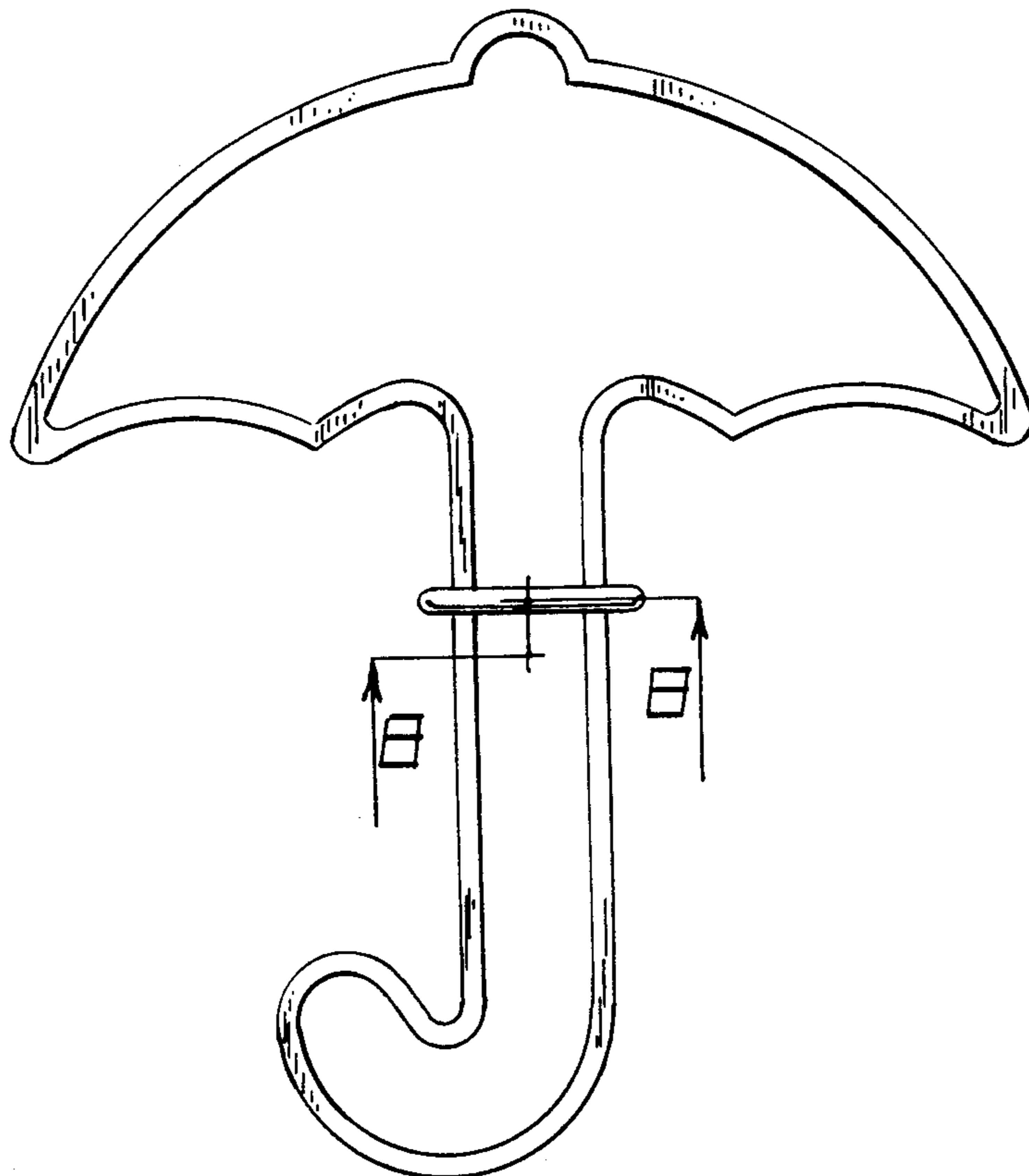


Fig. 1.

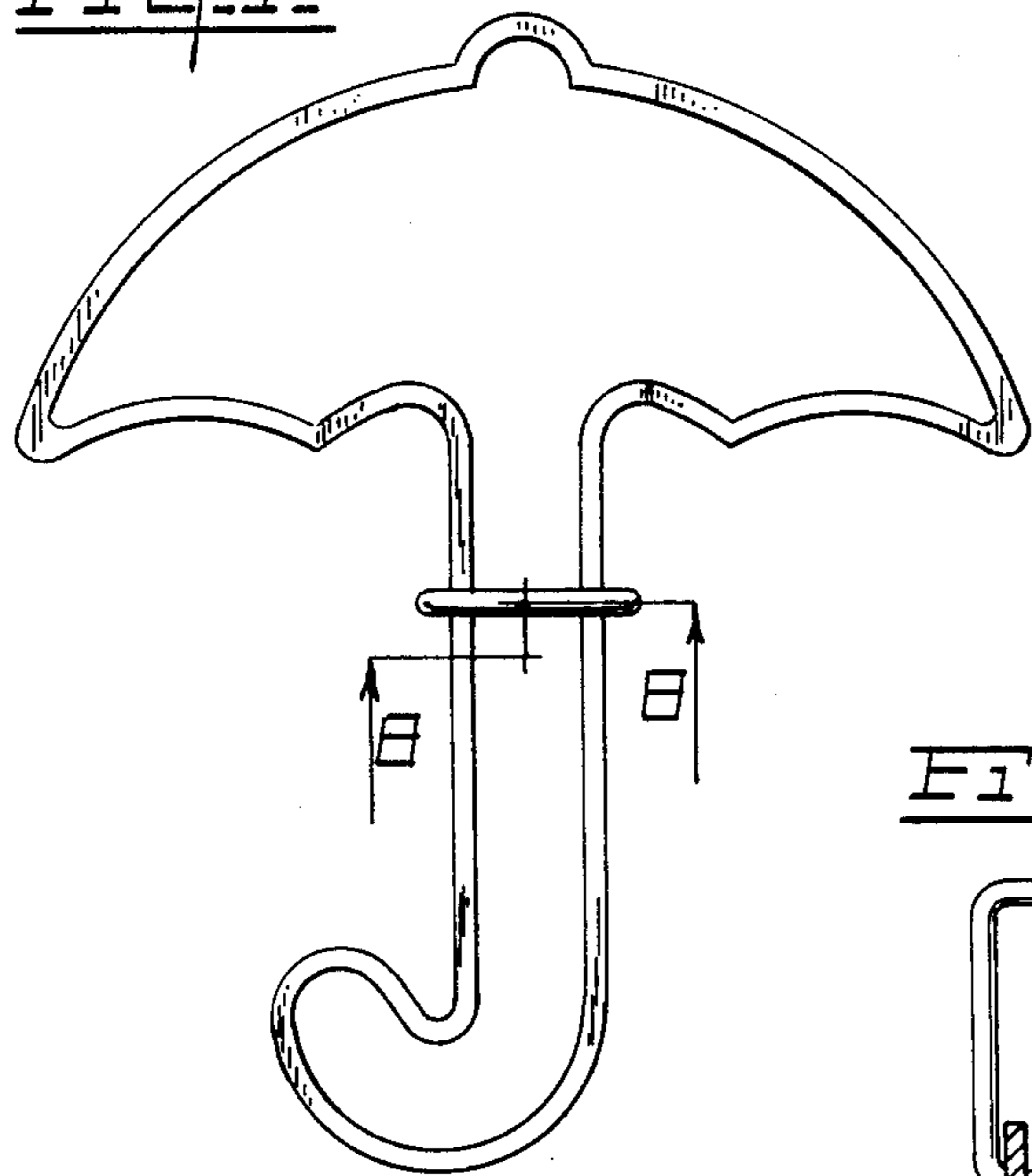


Fig. 2.

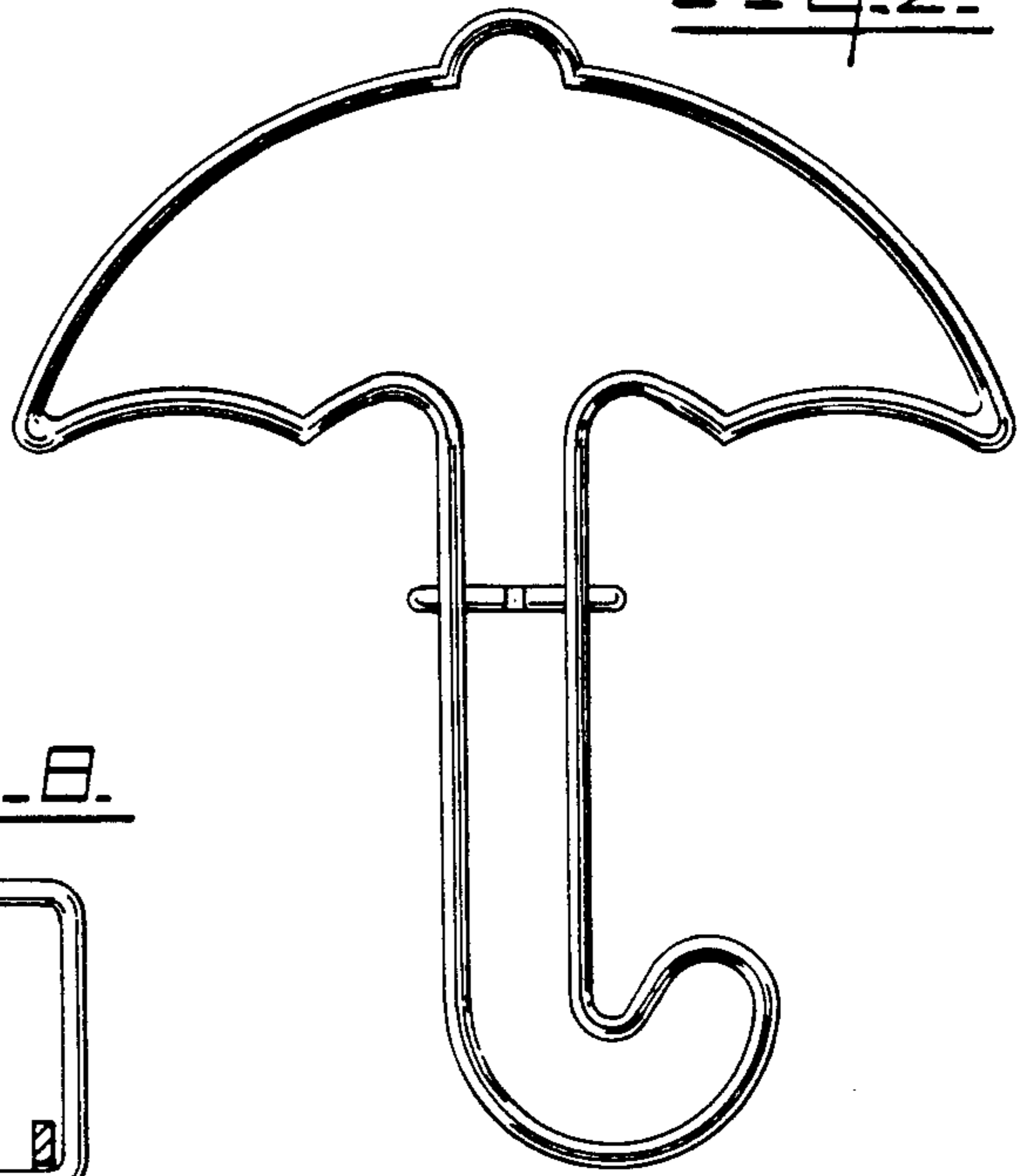


Fig. 8.

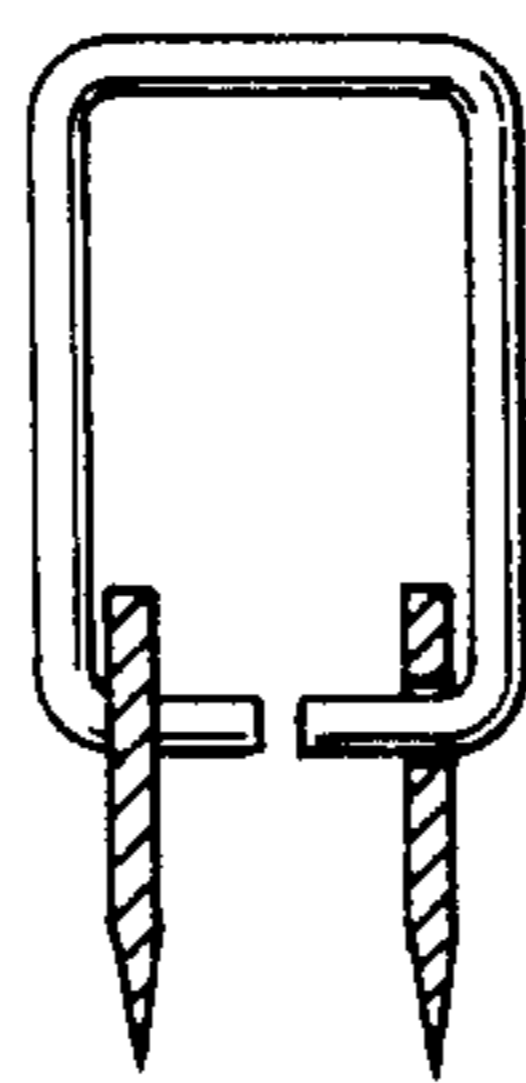


Fig. 3.

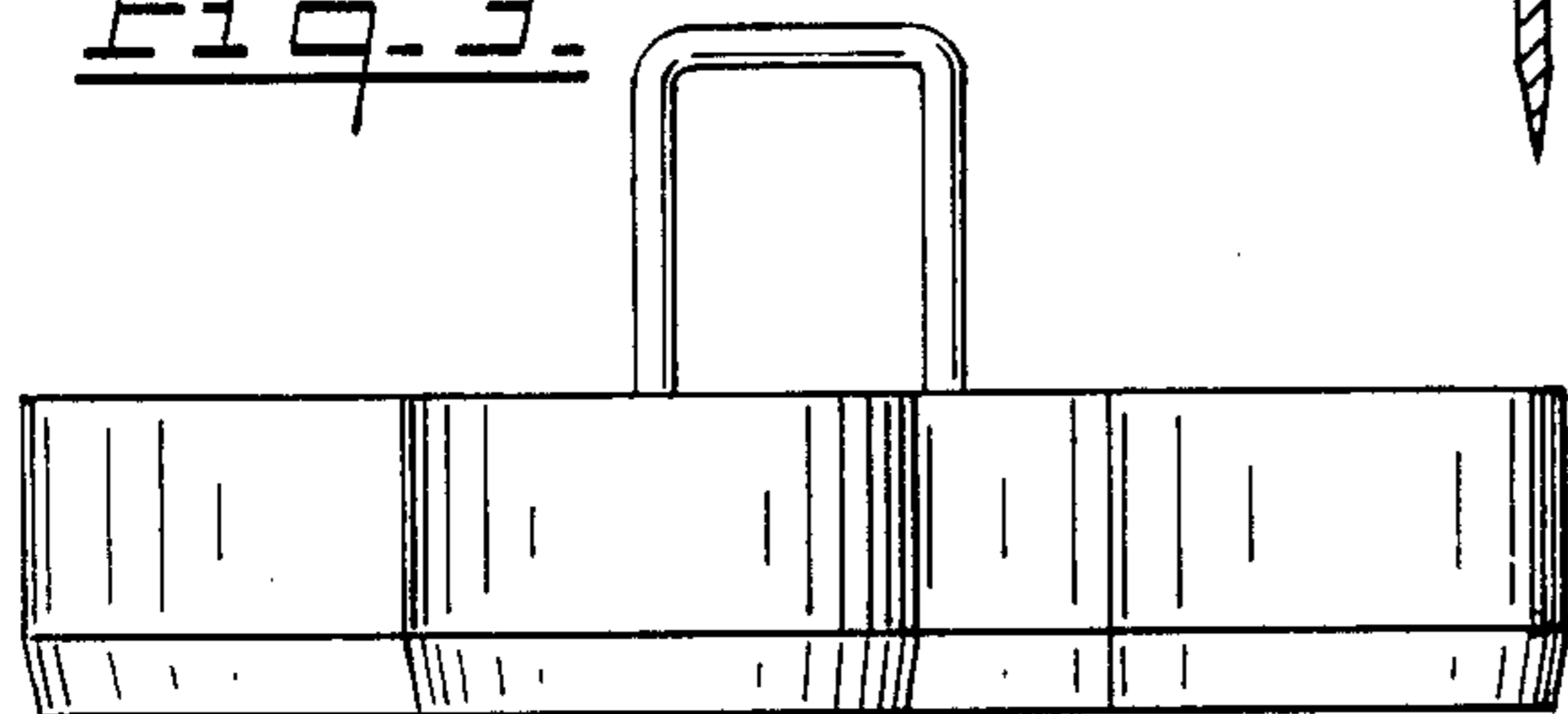


Fig. 4.

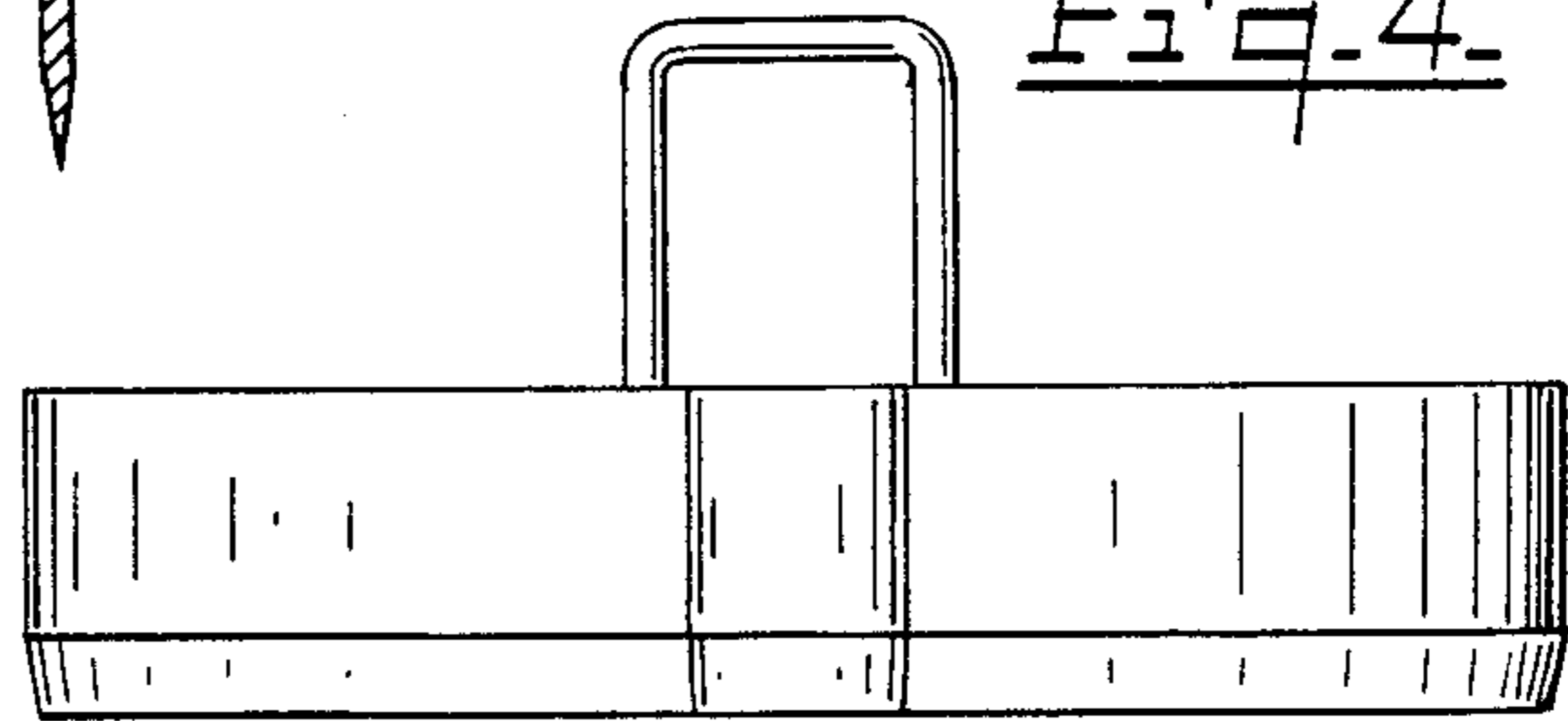


Fig. 5.

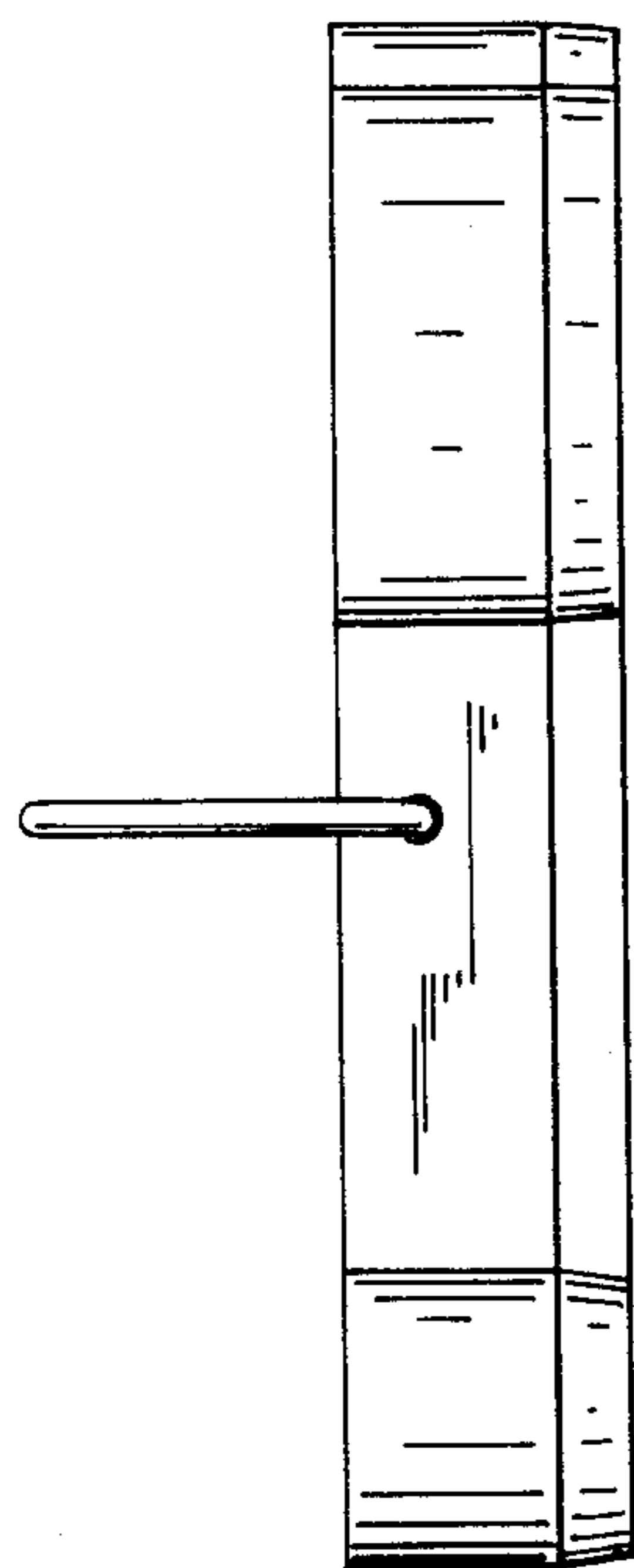


Fig. 6.

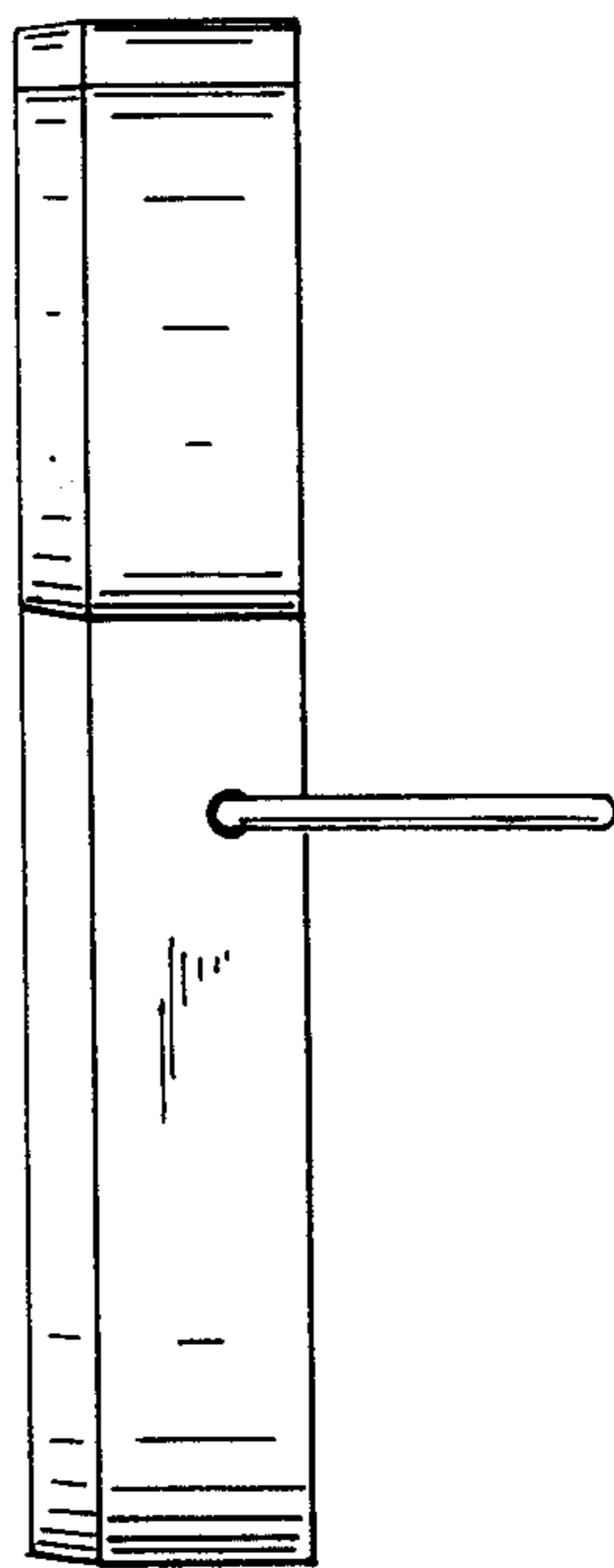


Fig. 7.

