

[54] COMBINED CHAIR AND COLLAPSIBLE TABLE UNIT

[75] Inventor: Clement P. DuFresne, Winston-Salem, N.C.

[73] Assignee: Fairchild Industries, Inc., Germantown, Md.

[\*\*] Term: 14 Years

[21] Appl. No.: 605,017

[22] Filed: Aug. 15, 1975

[51] Int. Cl. .... D6-05

[52] U.S. Cl. .... D6/31

[58] Field of Search ..... D6/20-31, D6/37-39, 40, 67, 42, 48

[56] References Cited

U.S. PATENT DOCUMENTS

D. 180,137	4/1957	Del Giudice .....	D6/48
D. 190,030	4/1961	Beardmore .....	D6/42
D. 193,614	9/1962	Deaton .....	D6/30
D. 211,988	8/1968	Cripe .....	D6/48
D. 225,193	11/1972	Barecki .....	D6/48
D. 227,954	7/1973	Gill .....	D6/42

Primary Examiner—Bruce W. Dunkins

Attorney, Agent, or Firm—Michael W. York

[57] CLAIM

The ornamental design for a combined chair and collapsible table unit, substantially as shown and described.

DESCRIPTION

FIG. 1 is a perspective view of a combined chair and collapsible table unit including an attached rotatable table in a partially rotated position showing my new design;

FIG. 2 is a perspective view thereof with said rotatable table stowed in the armrest portion of said combined chair and collapsible table unit;

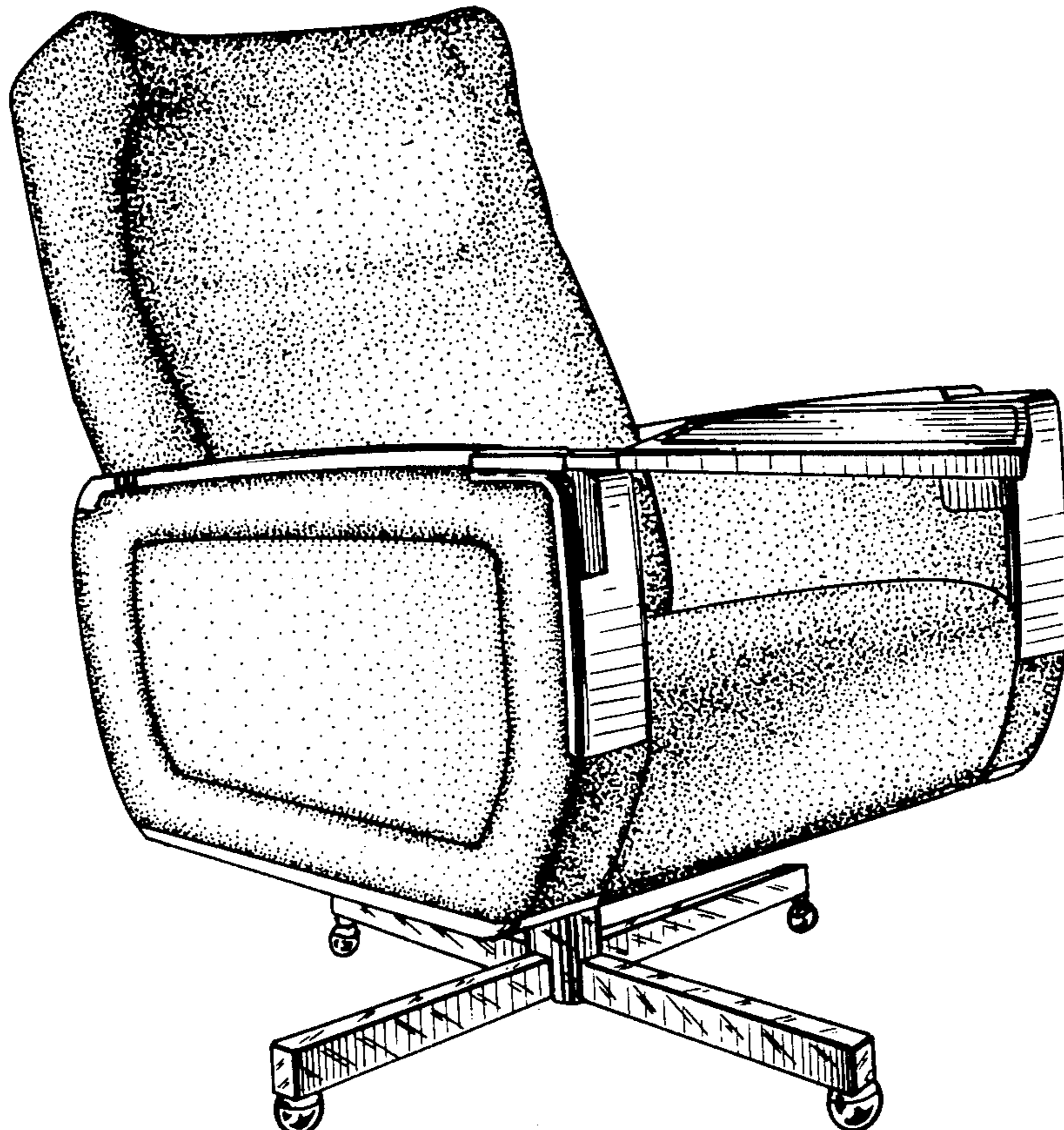
FIG. 3 is a top plan view on an enlarged scale of said combined chair and collapsible table unit of FIG. 2 with said rotatable table stowed in the armrest portion of said combined chair and collapsible table unit;

FIG. 4 is a side elevational view of said combined chair and collapsible table unit of FIG. 3, the opposite side being substantially a mirror image thereof;

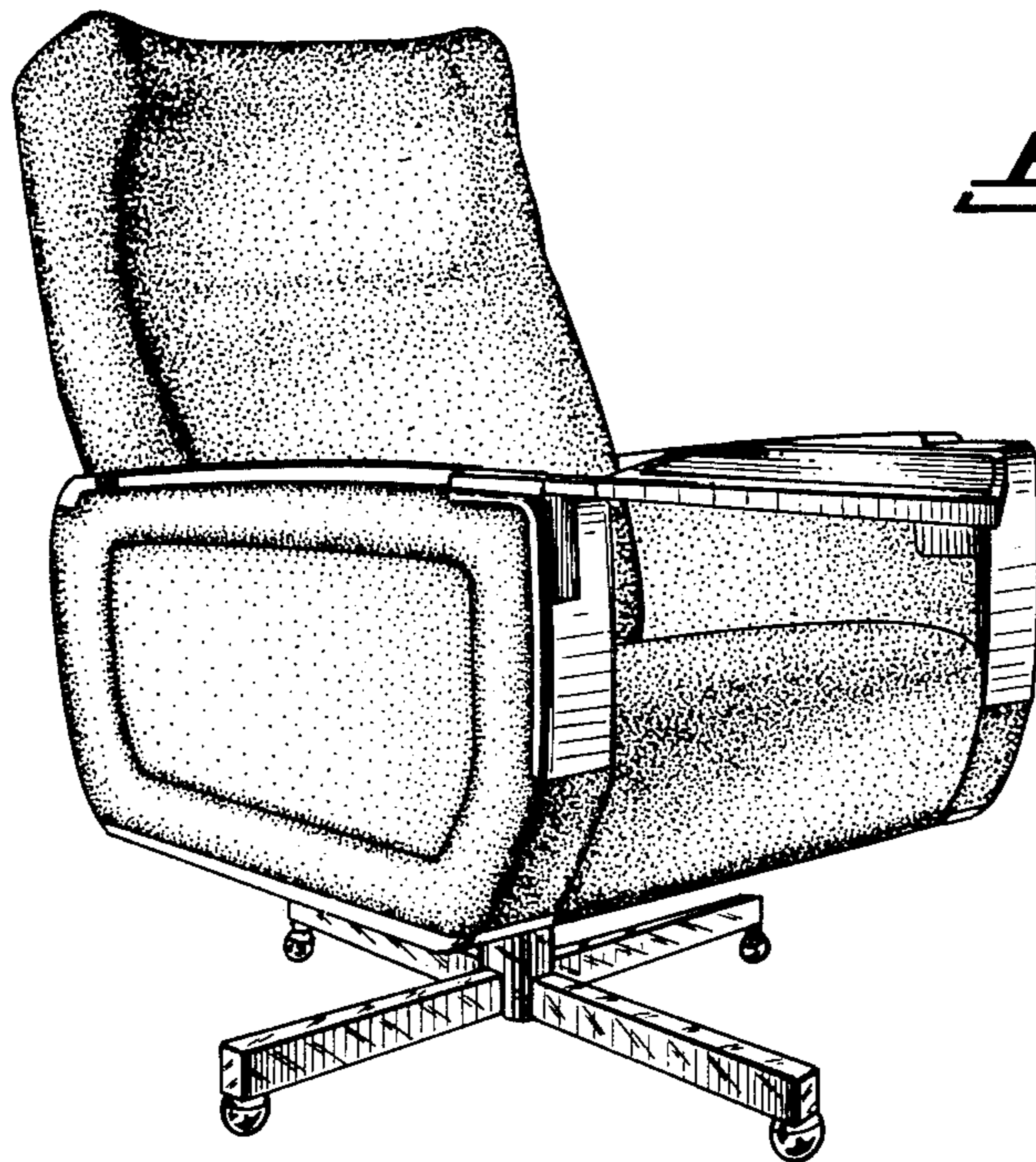
FIG. 5 is a front elevational view of said combined chair and collapsible table unit of FIG. 4 with said rotatable table in the fully rotated operational position;

FIG. 6 is a rear elevational view of said combined chair and collapsible table unit of FIG. 5; and

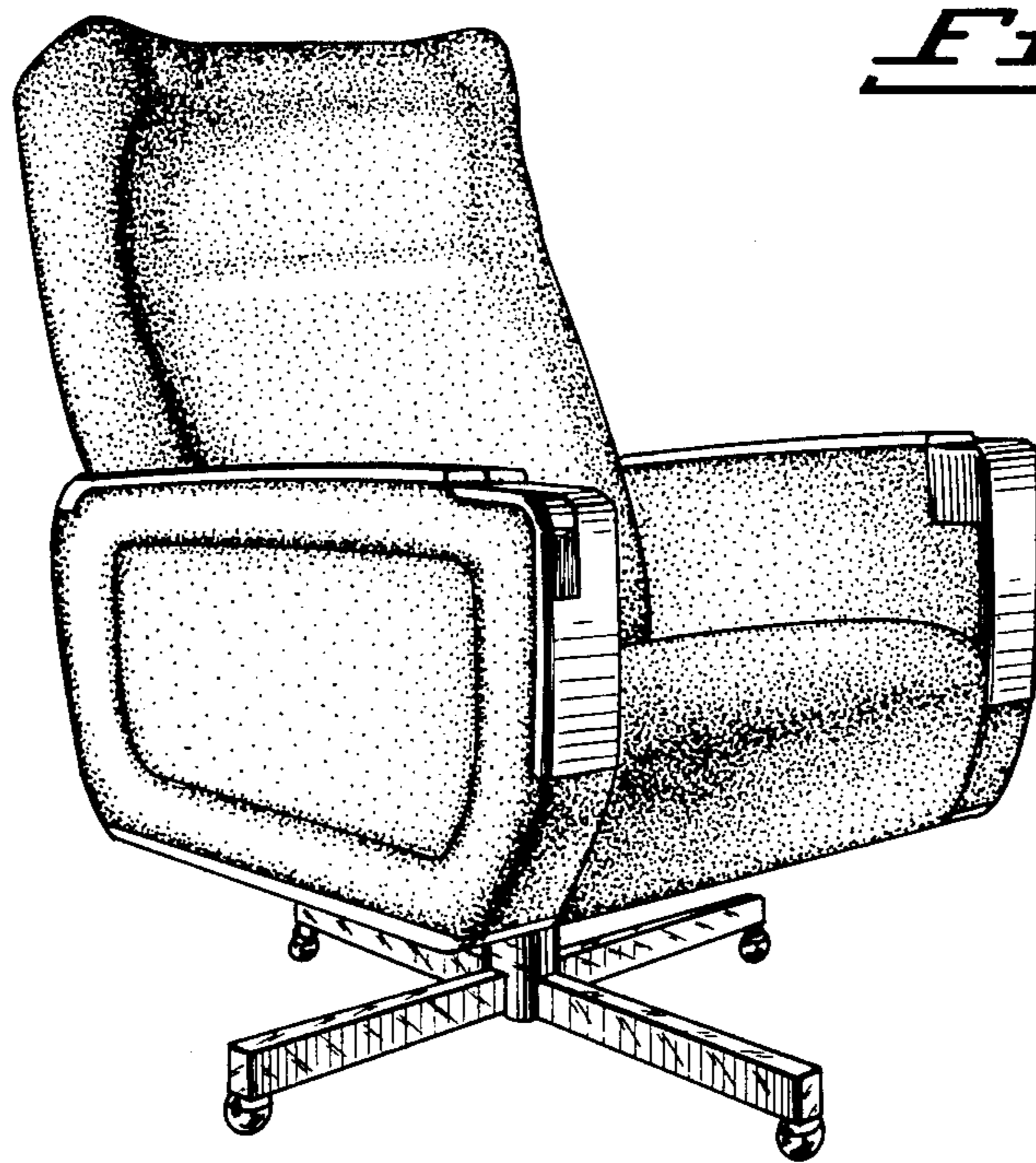
FIG. 7 is a fragmentary plan view showing the top of the combined chair and collapsible table unit in greater detail.





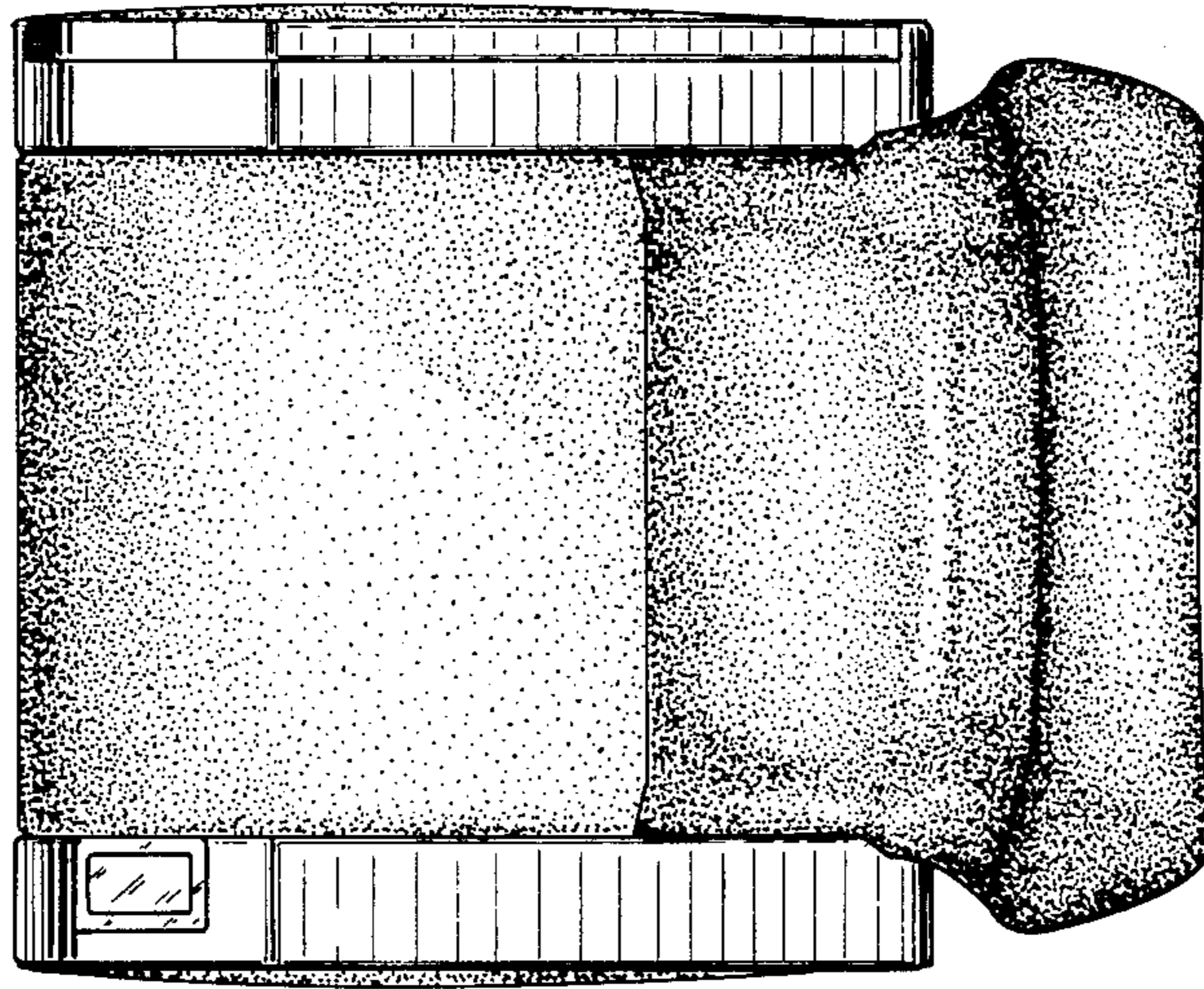


*Fig. 1*

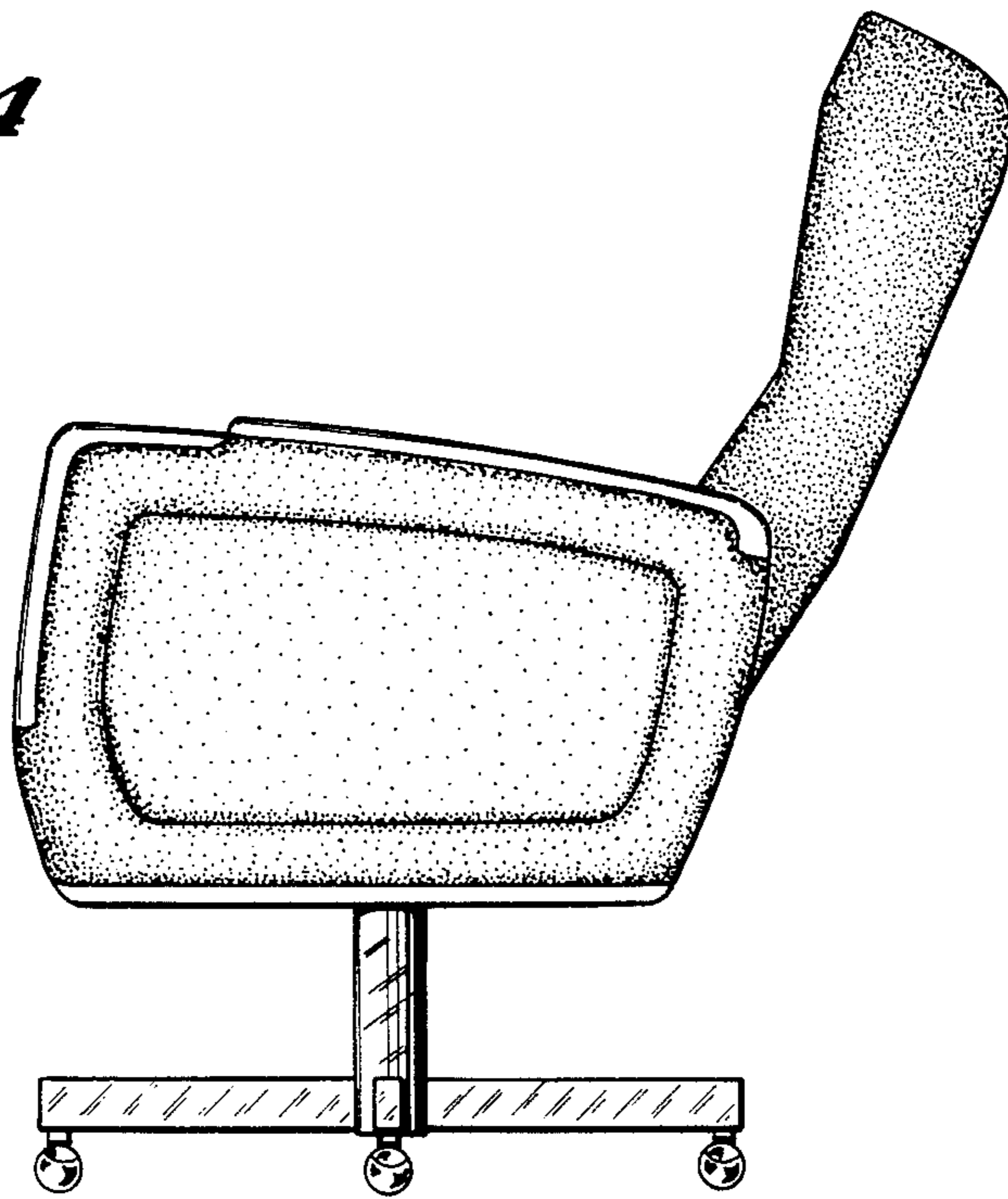


*Fig. 2*

*Fig. 3*

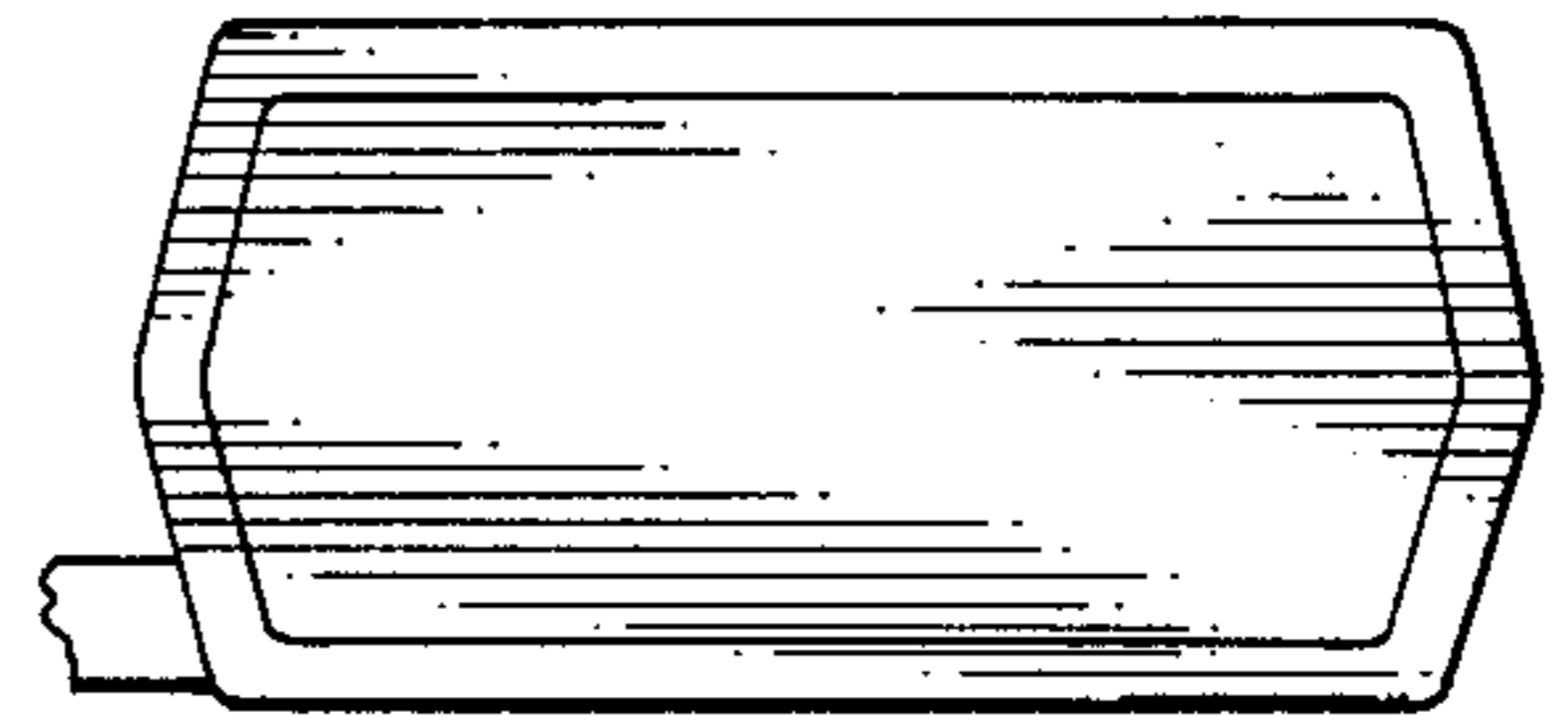
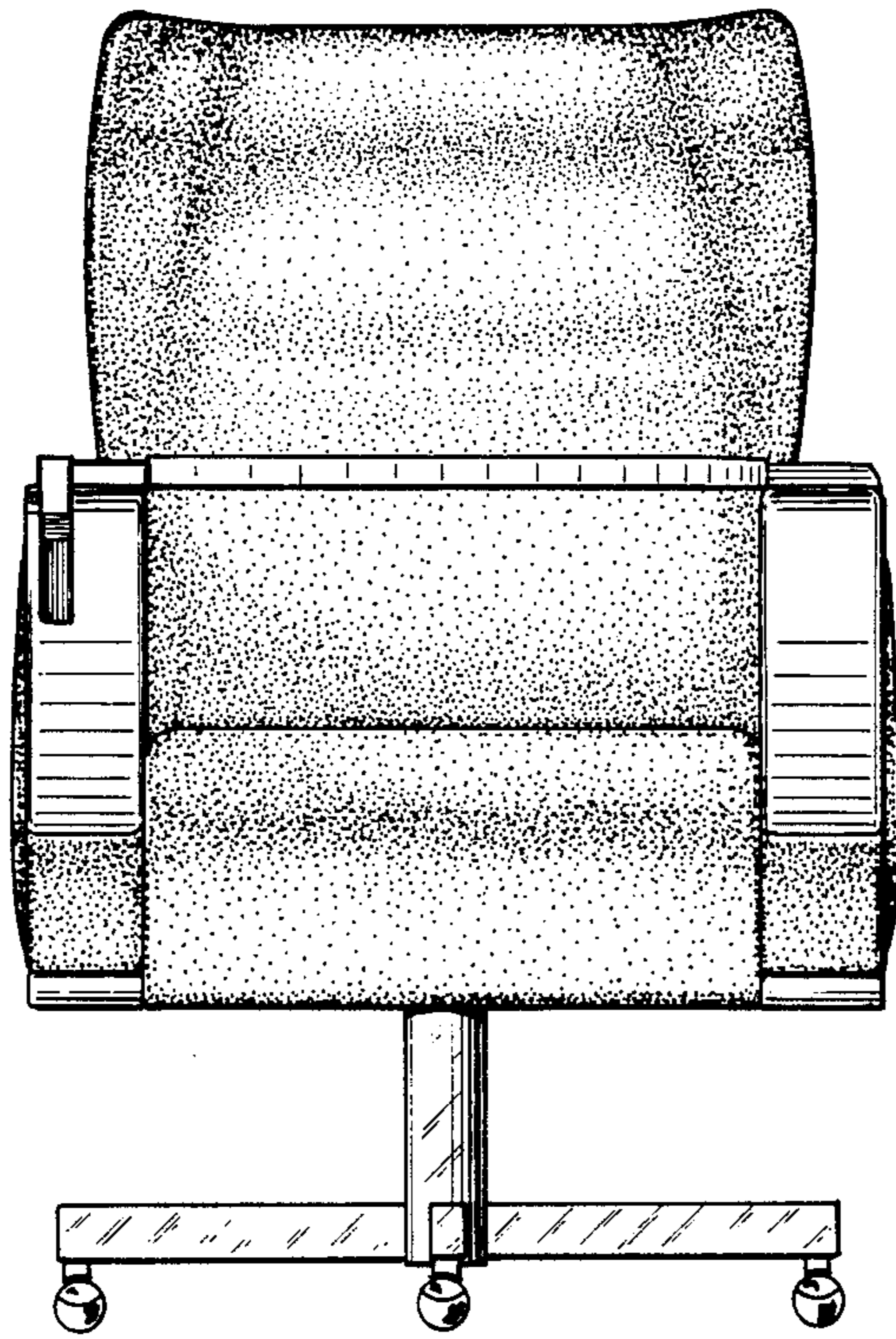


*Fig. 4*





*Fig 5*



*Fig 7*

*Fig 6*

