

[54] COMBINED TOOTHBRUSH HOLDER AND PILL DISPENSER

[76] Inventor: David Lynn Cunningham, 7502 W. 10th Ave., Apt. 2, Lakewood, Colo. 80215

[**] Term: 14 Years

[21] Appl. No.: 637,870

[22] Filed: Dec. 4, 1975

[51] Int. Cl. D4-02; D9-03

[52] U.S. Cl. D4/18

[58] Field of Search D4/1-39; D9/184-188; 401/124, 268, 192; 132/78, 84-85; 206/223, 229, 534, 528, 533, 536, 361, 362, 362.1, 362.2, 362.3, 362.4; 116/121; 15/167 R, 167 A; 222/93

[56] References Cited

U.S. PATENT DOCUMENTS

1,364,188	1/1921	Draenert	401/268 X
1,423,405	7/1922	Dayeh	401/124
2,284,217	5/1942	Lieberthal	206/229 X
2,534,100	12/1950	Baumgartner	132/84 R
3,495,567	2/1970	Hayes et al.	116/121

FOREIGN PATENT DOCUMENTS

475,737 1/1969 Switzerland 401/124

Primary Examiner—James R. Largen
Assistant Examiner—Catherine Kemper
Attorney, Agent, or Firm—Mark A. Greenfield

[57] CLAIM

The ornamental design for a combined toothbrush holder and pill dispenser, as shown and described.

DESCRIPTION

FIG. 1 is a top plan view of a combined toothbrush holder and pill dispenser showing my new design; FIG. 2 is a side elevational view thereof, the opposite side being a mirror image thereof; and FIG. 3 is a perspective view of a second embodiment thereof, wherein the only difference resides in the fact that the body of the device is opaque. The side of the second embodiment which is not shown is a mirror image of the side shown in FIG. 3. The ends of the device which are not shown are substantially planar and unornamented. The broken line disclosures of a toothbrush in FIG. 3, of pills in FIGS. 1 and 2, and of a day of the week (MON) in FIGS. 1 and 3 are for illustrative purposes only and form no part of the claimed design.

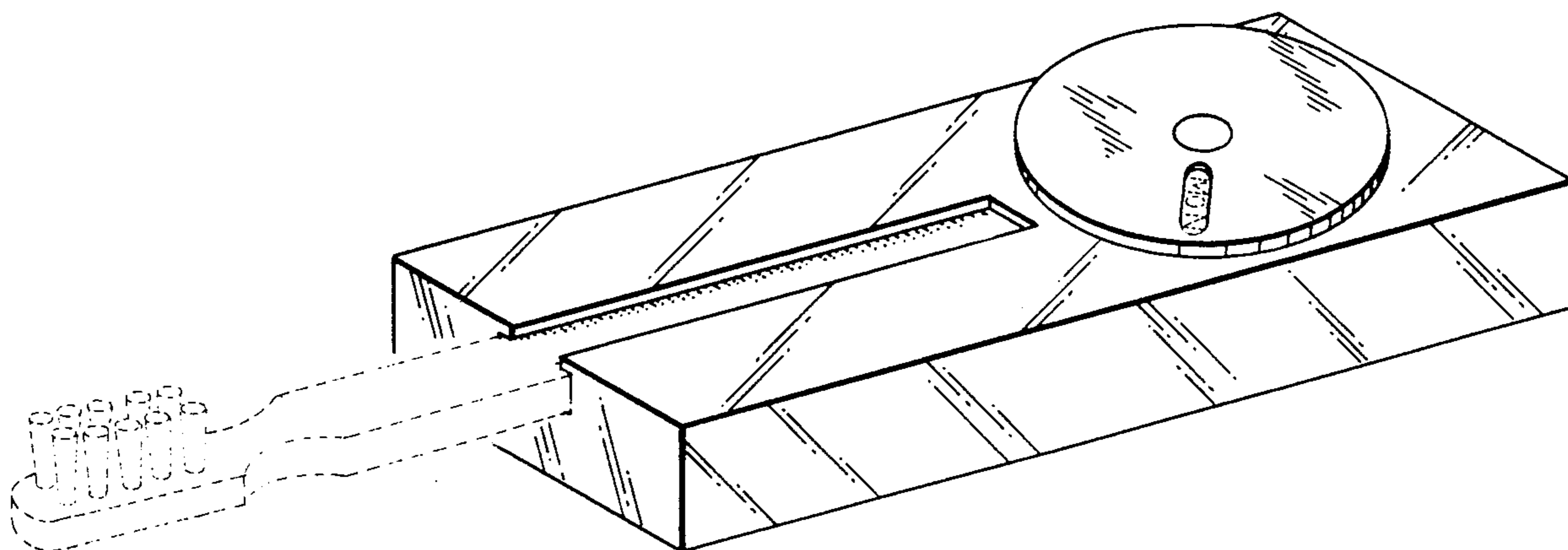


FIG. 1

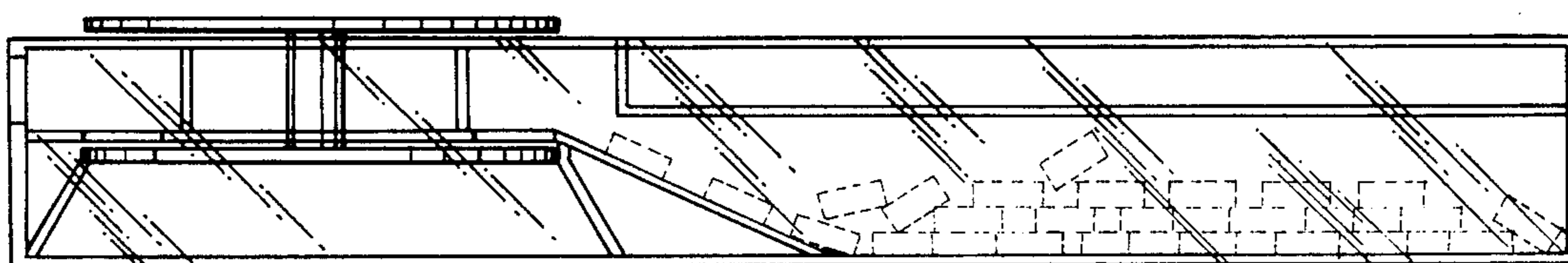
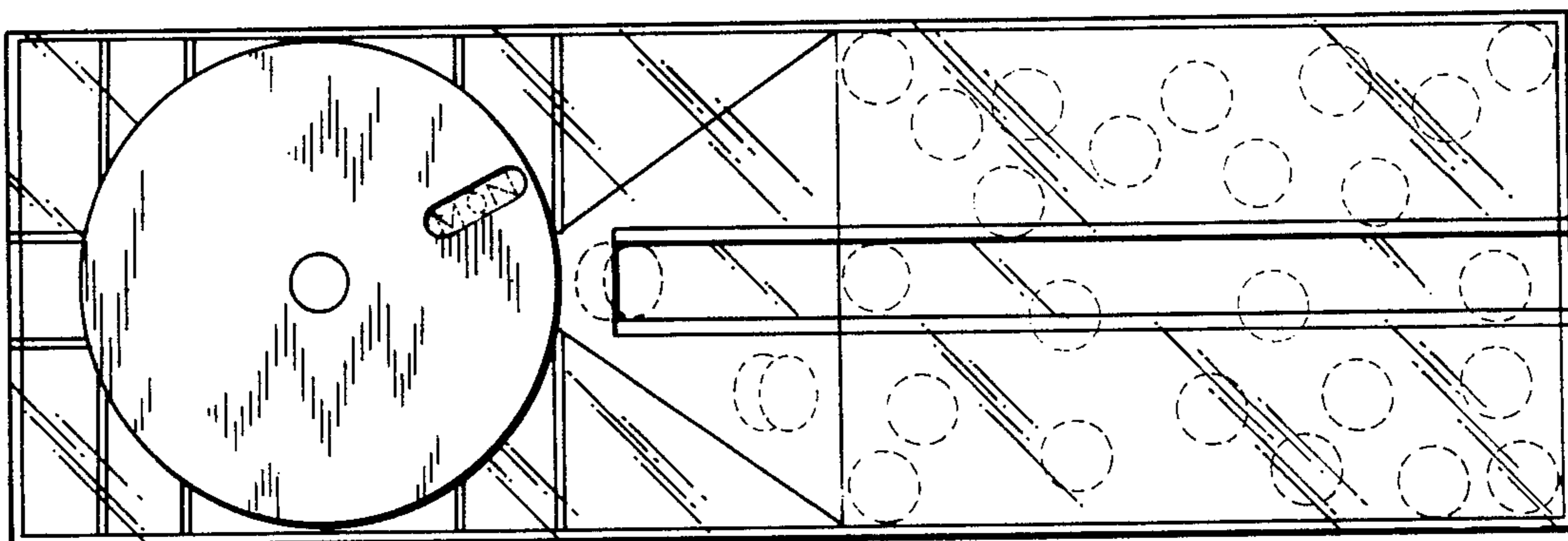


FIG. 2

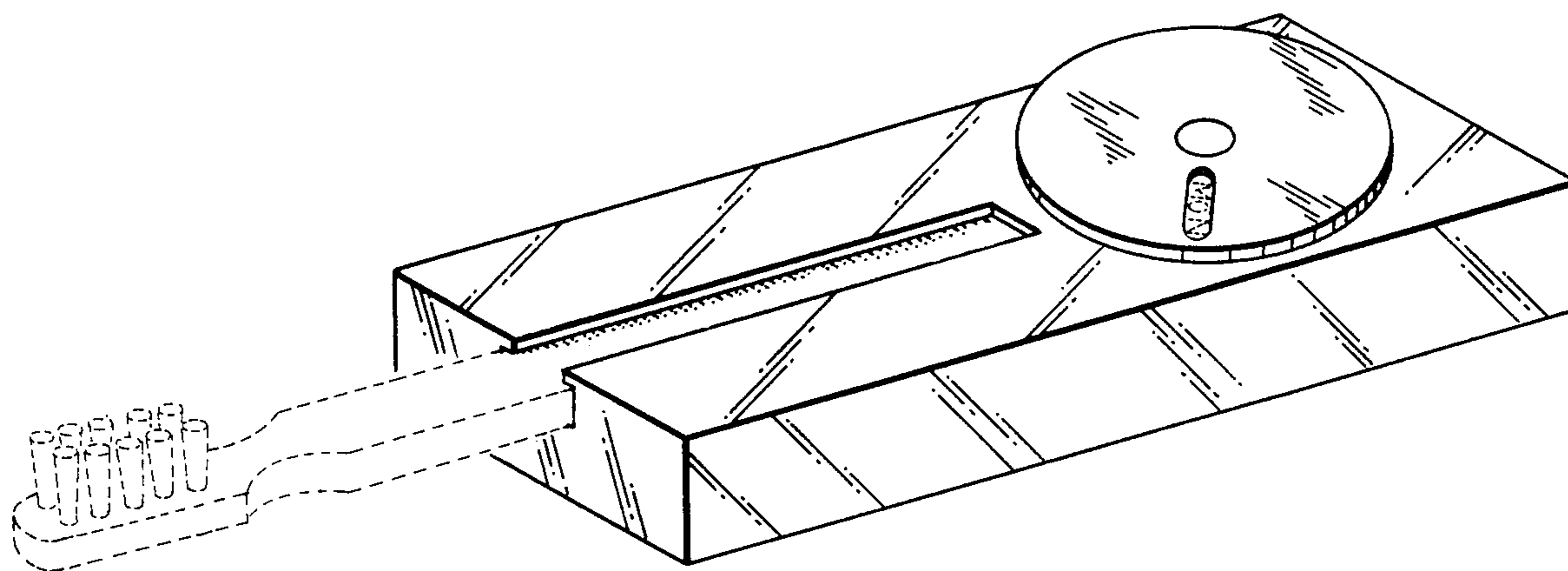


FIG. 3