

United States Patent [19]

Zimmerman

[11] **Des. 246,488**

[45] **** Nov. 29, 1977**

[54] **BUCKLE**

[75] Inventor: **Jacques Zimmerman, Saint-Cloud, France**

[73] Assignee: **Les Must de Cartier-France, Paris, France**

[**] Term: **14 Years**

[21] Appl. No.: **659,635**

[22] Filed: **Feb. 20, 1976**

[30] **Foreign Application Priority Data**
Aug. 22, 1975 France 74.130

[51] Int. Cl. **D2-07**

[52] U.S. Cl. **D2/427**

[58] Field of Search **D2/426, 427, 431, 442, D2/447; 24/163 KU, 164, 210, 230 AC**

[56] **References Cited**

U.S. PATENT DOCUMENTS

3,043,037 7/1962 Lesser D10/380 X

Primary Examiner—Nelson C. Holtje
Attorney, Agent, or Firm—John W. Malley

[57] **CLAIM**

The ornamental design for a buckle, as shown and described.

DESCRIPTION

FIG. 1 is a perspective view of the buckle of my new design in a closed condition;

FIG. 2 is a perspective view of this buckle in an open condition;

FIG. 3 is a front elevation view of the buckle;

FIG. 4 is one plan view thereof;

FIG. 5 is one end view thereof;

FIG. 6 is an opposite end view thereof from FIG. 5;

FIG. 7 is an opposite plan view thereof from FIG. 4;

and

FIG. 8 is a rear elevation view of the buckle.

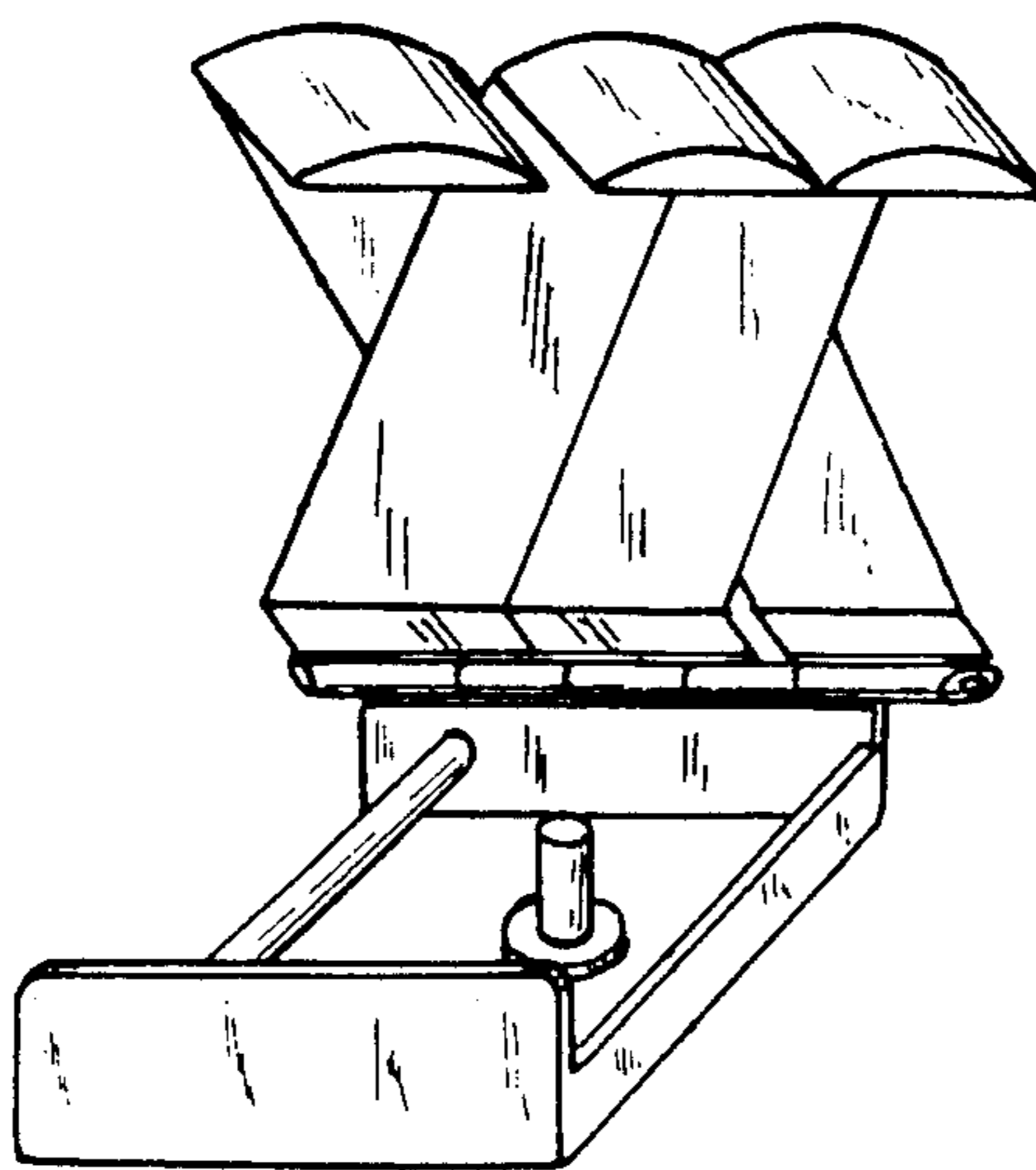


Fig:1

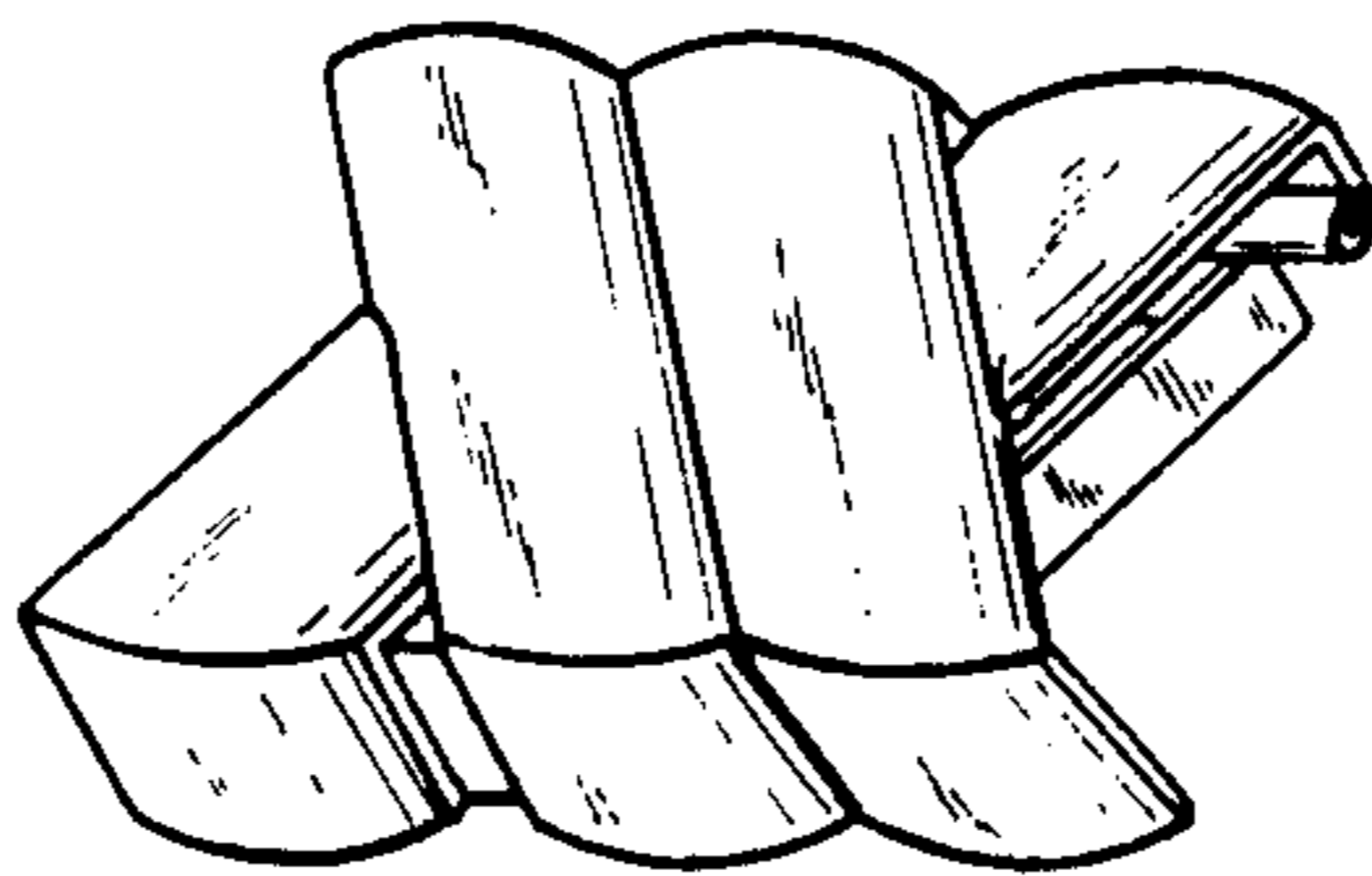


Fig:2

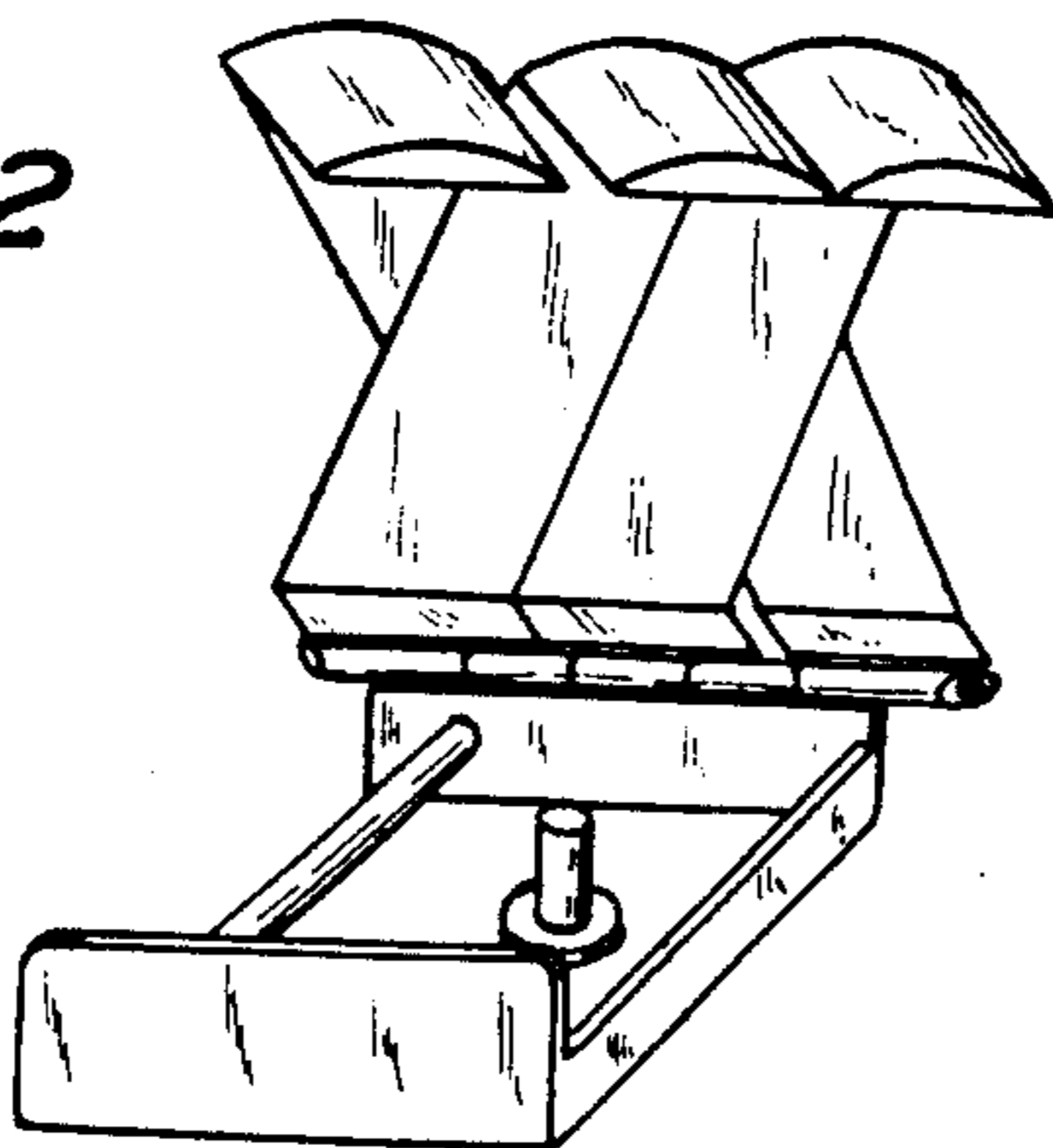


Fig:4



Fig:5



Fig:3

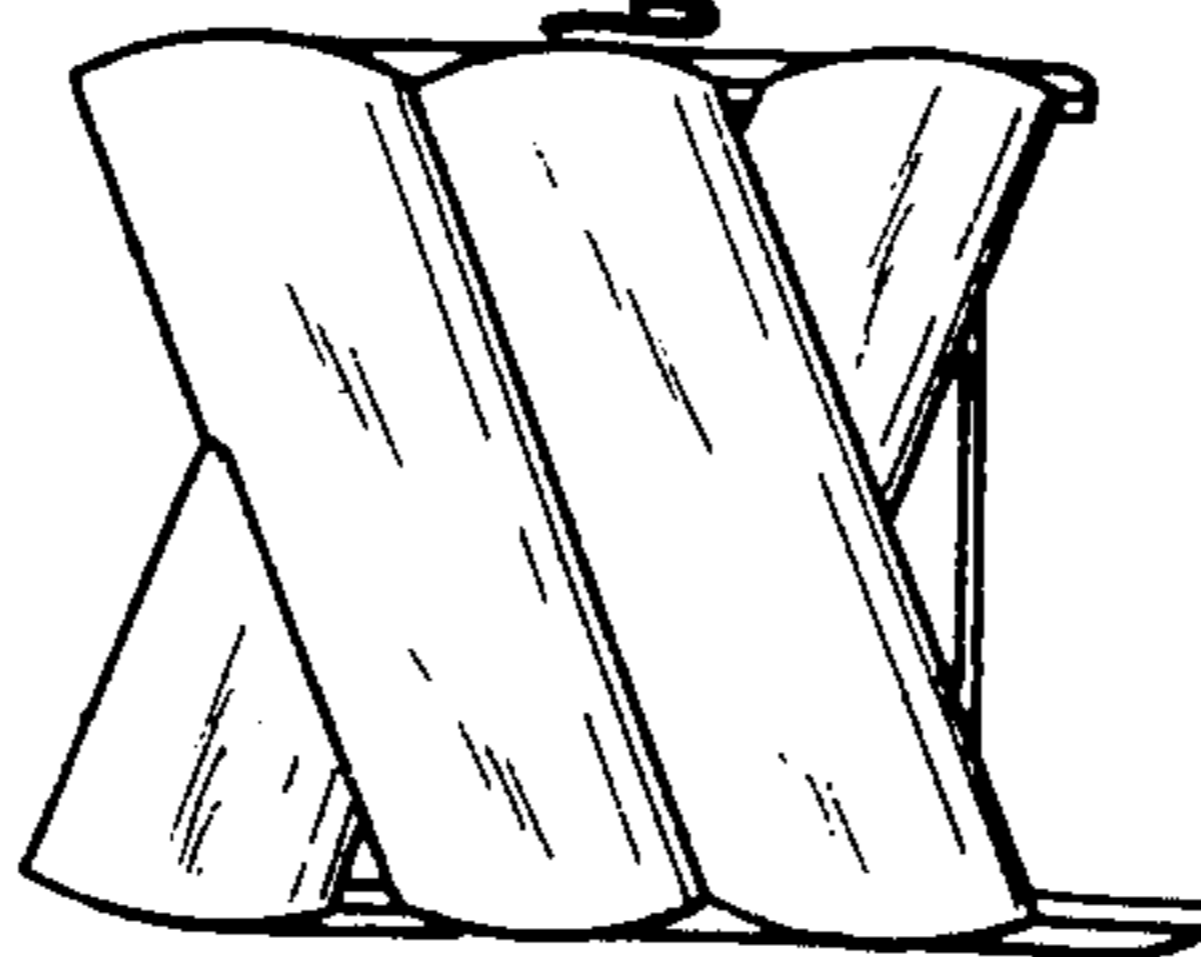


Fig:6



Fig:7



Fig:8

