

[54] BELT PACK FOR A VETERINARIAN OR THE LIKE

[76] Inventor: Robert Waters, R.R. 1, New Albin, Iowa 52160

[\*\*] Term: 14 Years

[21] Appl. No.: 664,701

[22] Filed: Mar. 8, 1976

[51] Int. Cl. .... D2-07

[52] U.S. Cl. .... D2/400

[58] Field of Search ..... D87/1 R; D30/99; D2/400; D22/13-14; 224/5 A, 5 R, 5 M, 5 V, 5 Y, 19

[56] References Cited

U.S. PATENT DOCUMENTS

- D. 194,020 11/1962 Jarman ..... D2/400
- D. 239,886 5/1976 Finch ..... D2/400

- D. 240,572 7/1976 Worsham ..... D2/400
- 1,344,377 6/1920 Brothers ..... 224/19
- 2,753,094 7/1956 Haney, Jr. .... 224/5 A
- 3,130,883 4/1964 MacKool ..... 224/5 A

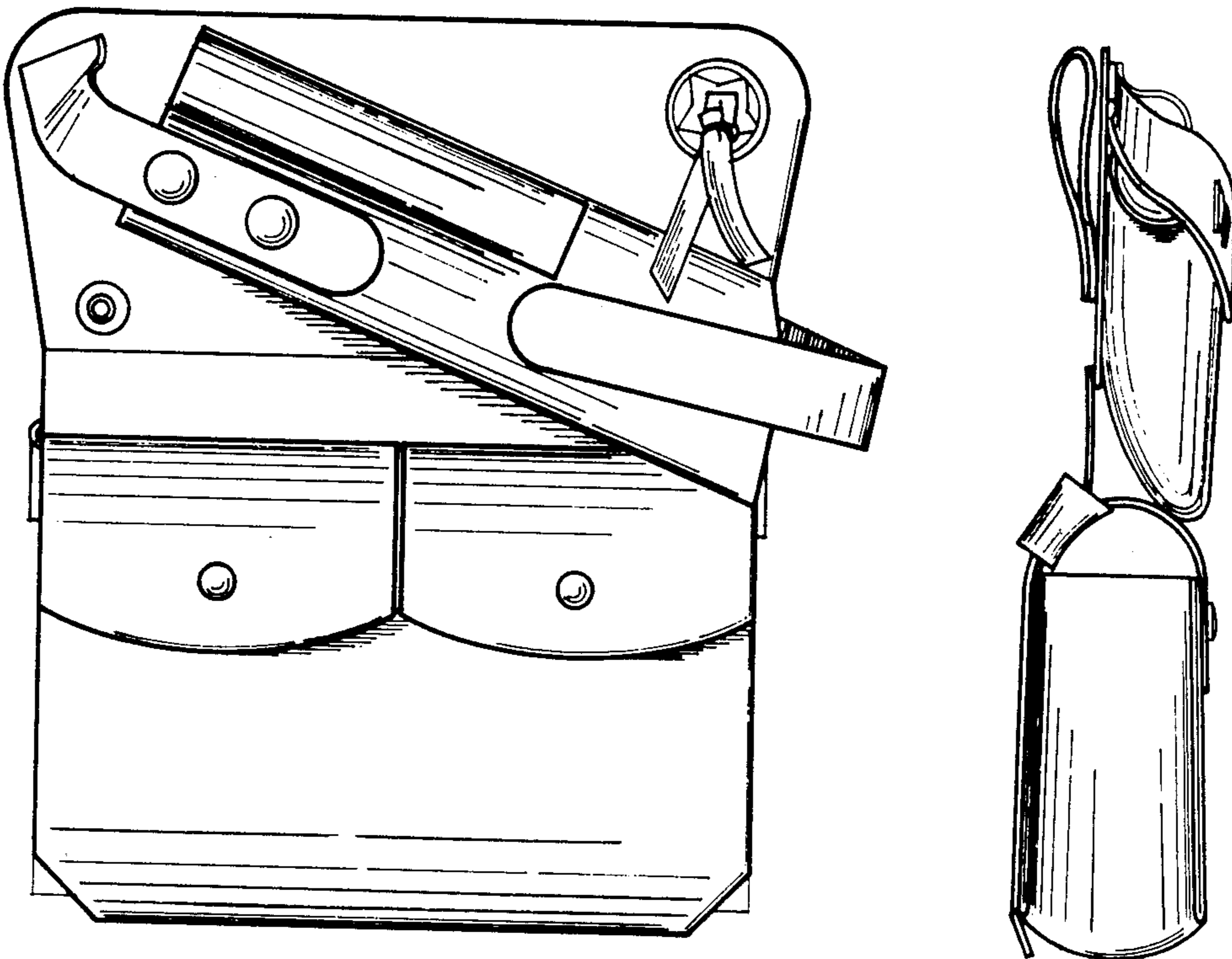
Primary Examiner—Joel Stearman  
Assistant Examiner—George P. Word  
Attorney, Agent, or Firm—Theodore J. Long

[57] CLAIM

The ornamental design for a belt pack for a veterinarian or the like, as shown.

DESCRIPTION

FIG. 1 is a front elevational view of a belt pack for a veterinarian or the like showing my new design; FIG. 2 is a left side elevational view; FIG. 3 is a right side elevational view; FIG. 4 is a top plan view; FIG. 5 is a bottom plan view; and FIG. 6 is a rear elevational view.



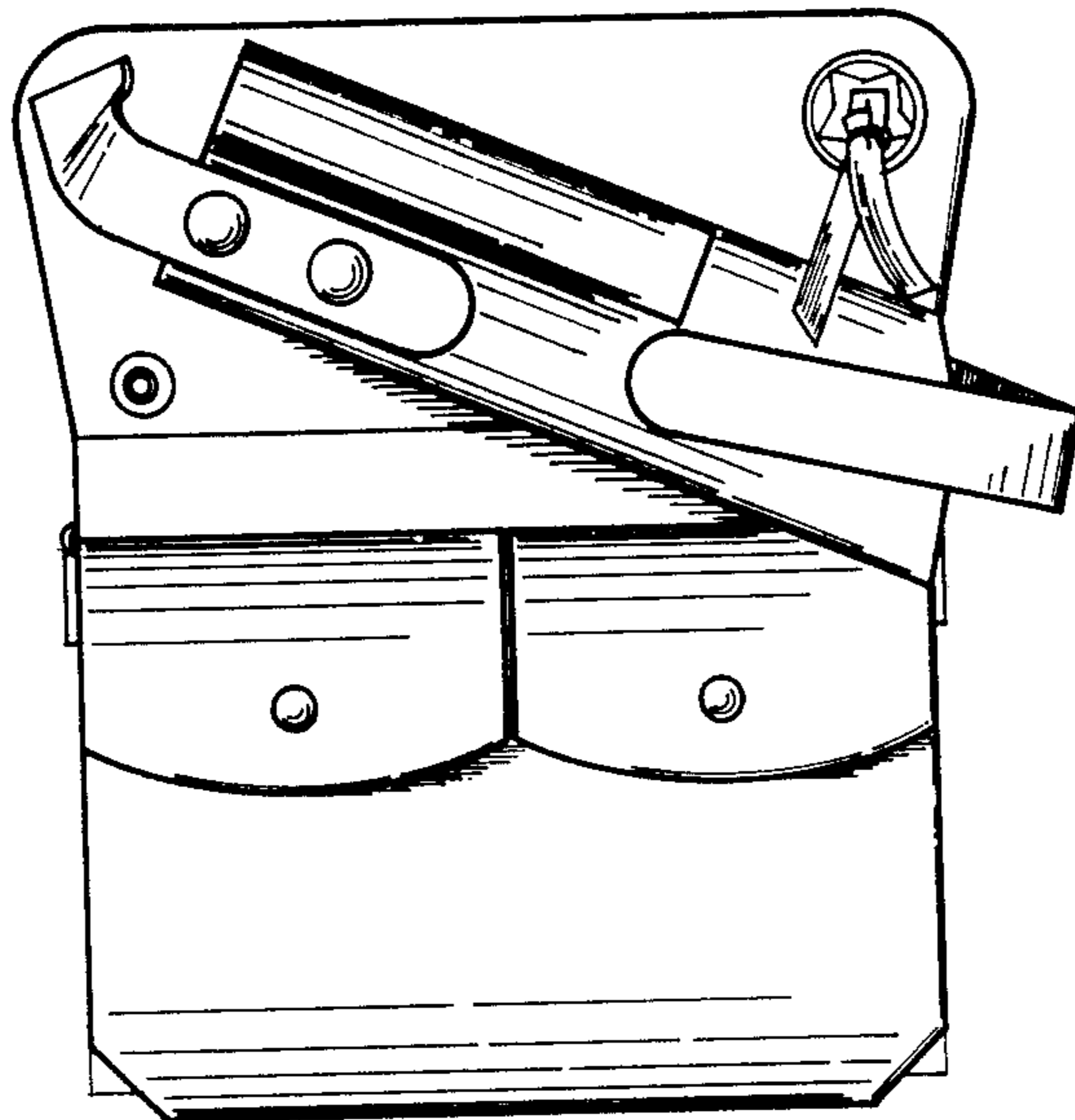


FIG. 1

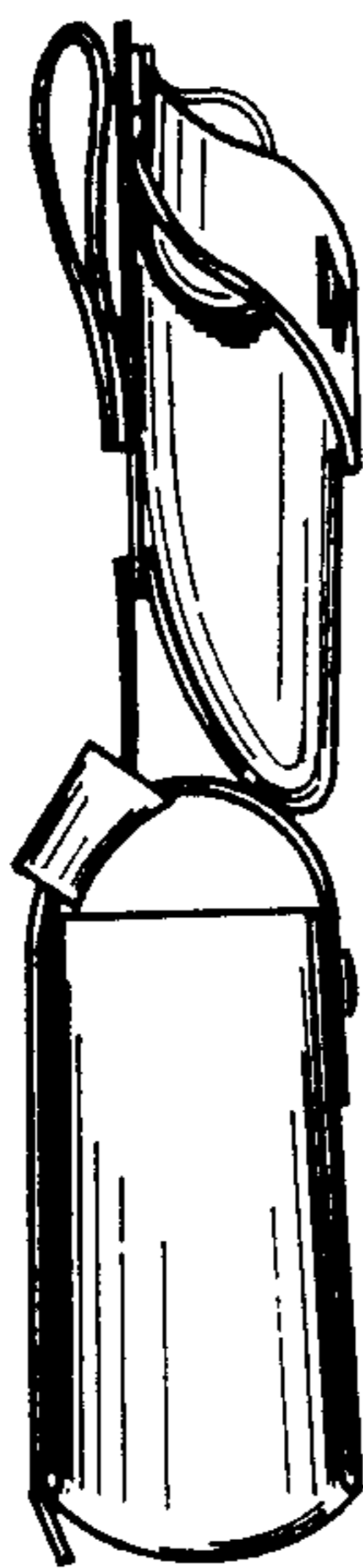


FIG. 2

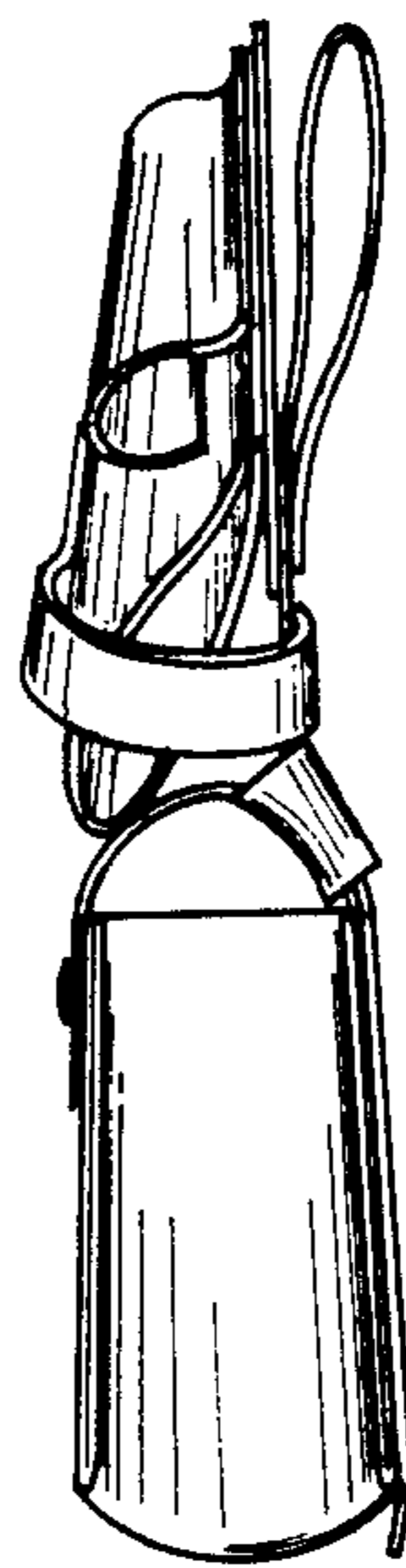


FIG. 3

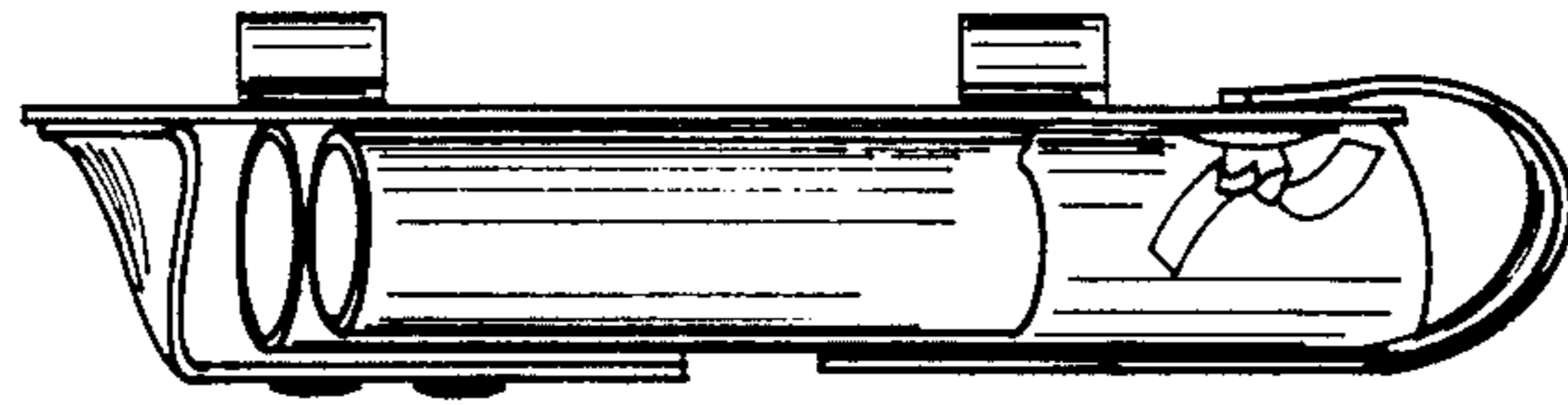


FIG. 4

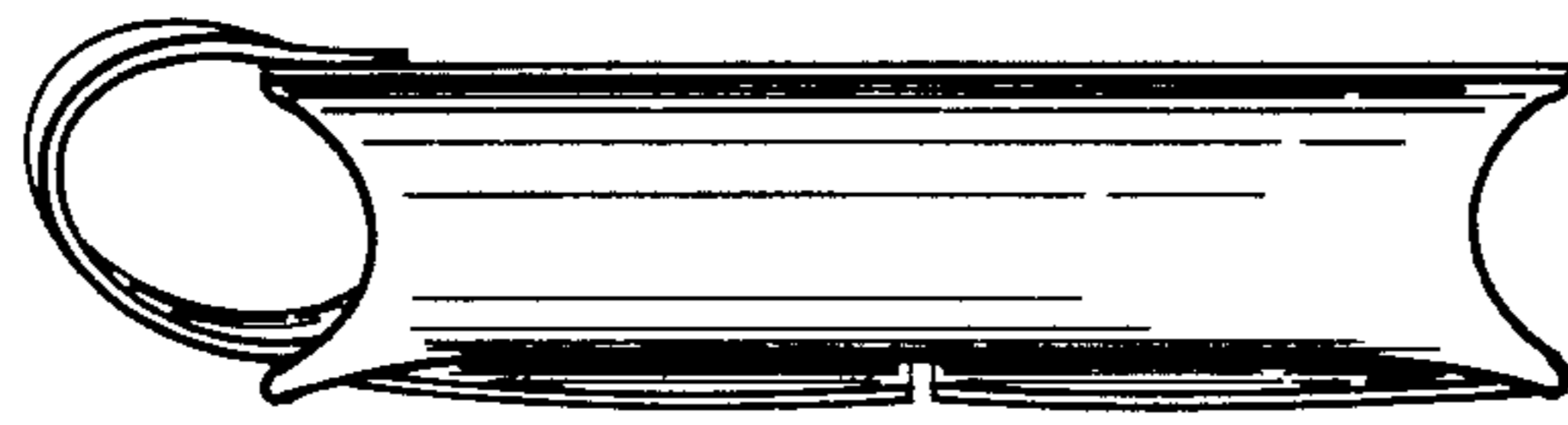


FIG. 5

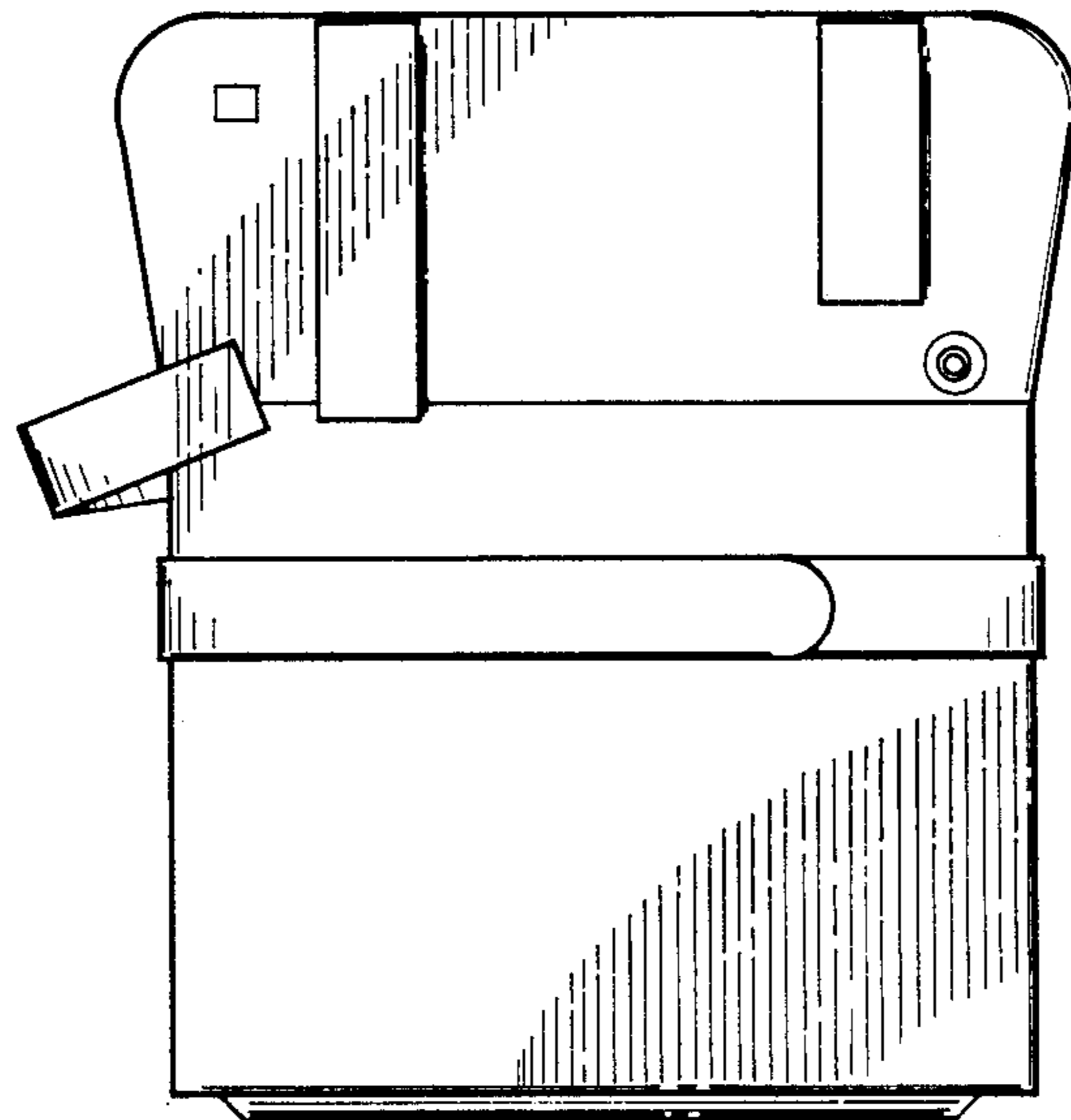


FIG. 6