

[54] TOY VEHICLE

[76] Inventor: Kiyoji Asano, 2-27-23, Sumida, Sumida, Tokyo, Japan

[**] Term: 14 Years

[21] Appl. No.: 637,003

[22] Filed: Dec. 2, 1975

[51] Int. Cl. D21-01

[52] U.S. Cl. D34/15 AJ

[58] Field of Search D12/1, 12-15, D12/57, 82, 83, 93, 96, 99; D34/15 AJ, 15 D, 15 S, 15 AE, 15 AN; 46/214, 215, 222, 201, 202, 207, 252, 251

[56] References Cited

U.S. PATENT DOCUMENTS

D. 236,703 9/1975 Baker et al. D12/1

OTHER PUBLICATIONS

J. C. Penny, 1975 Catalog, p. 409, item 10, Tonka crane. Northwest Catalog, 1-1969, front cover, crane. Construction Methods & Equipment, 6-1958, p. 148, crane.

Primary Examiner—Joel Stearman
Assistant Examiner—C. A. Rademaker
Attorney, Agent, or Firm—Harry John Staas

[57] CLAIM

The original design for a toy vehicle, as shown.

DESCRIPTION

FIG. 1 is a left side elevational view of a toy vehicle embodying my new design.

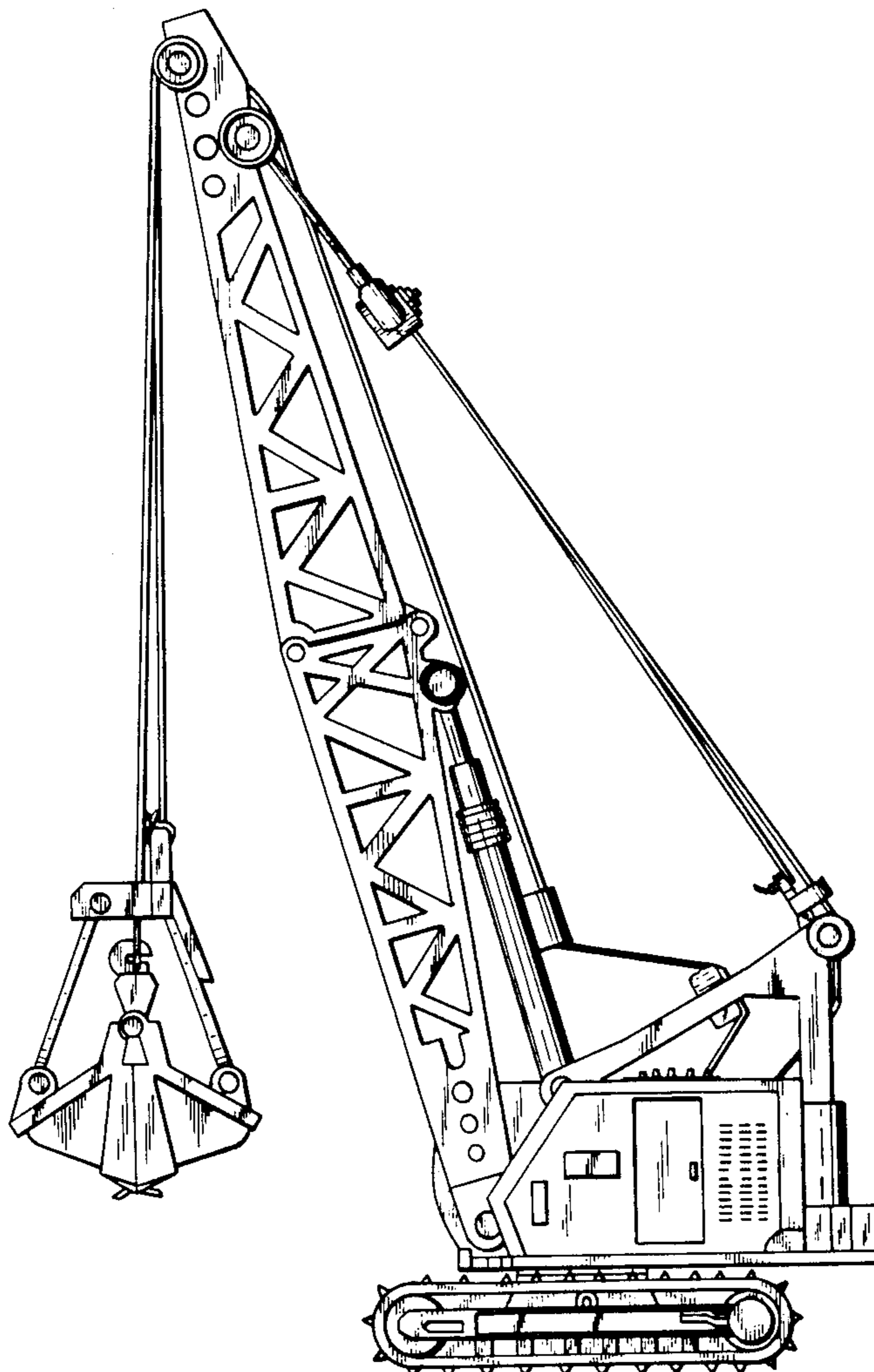
FIG. 2 is a right side elevational view thereof;

FIG. 3 is a front elevational view thereof;

FIG. 4 is a rear elevational view thereof;

FIG. 5 is a top plan view thereof; and

FIG. 6 is a bottom plan view thereof.



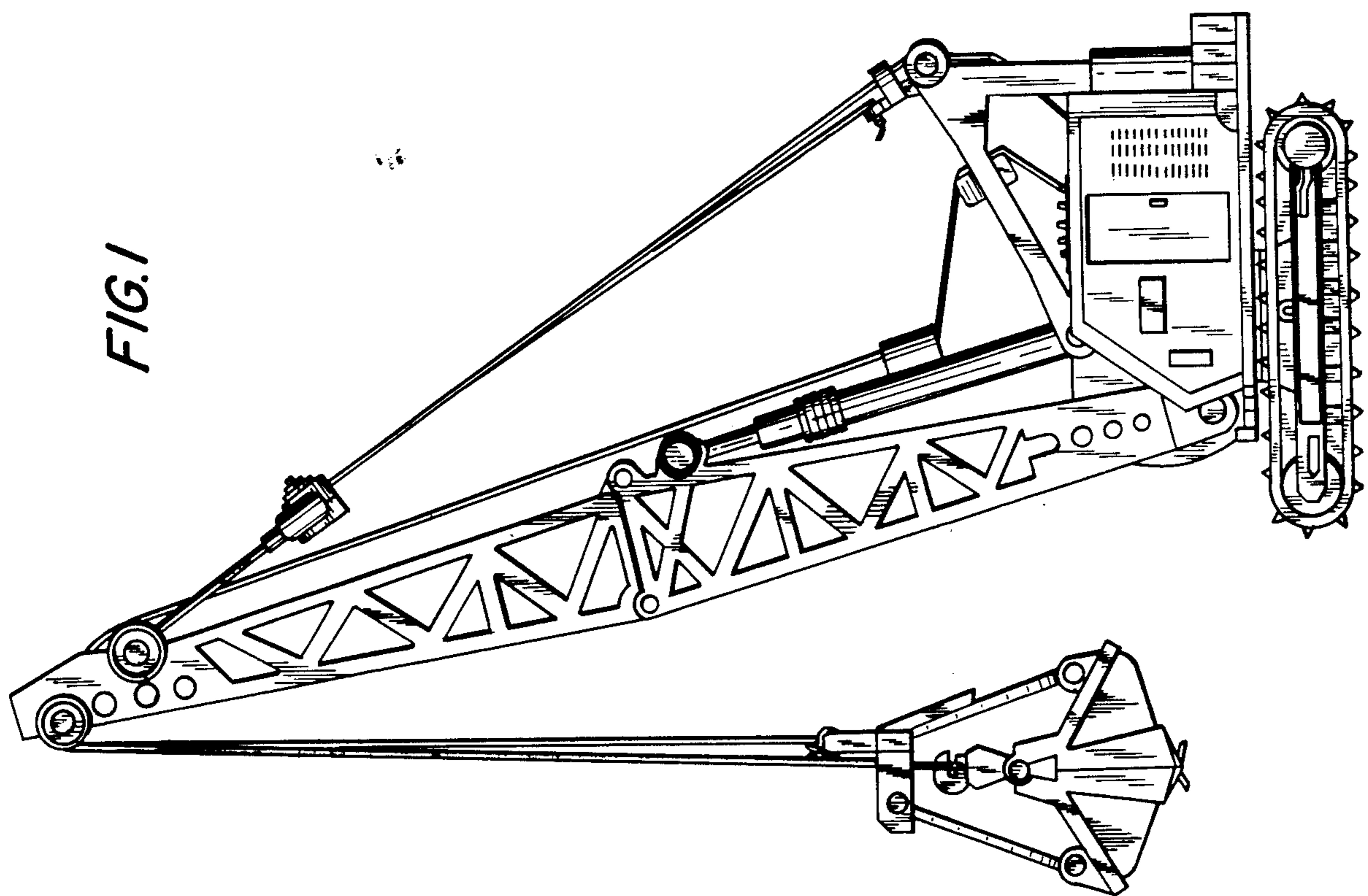
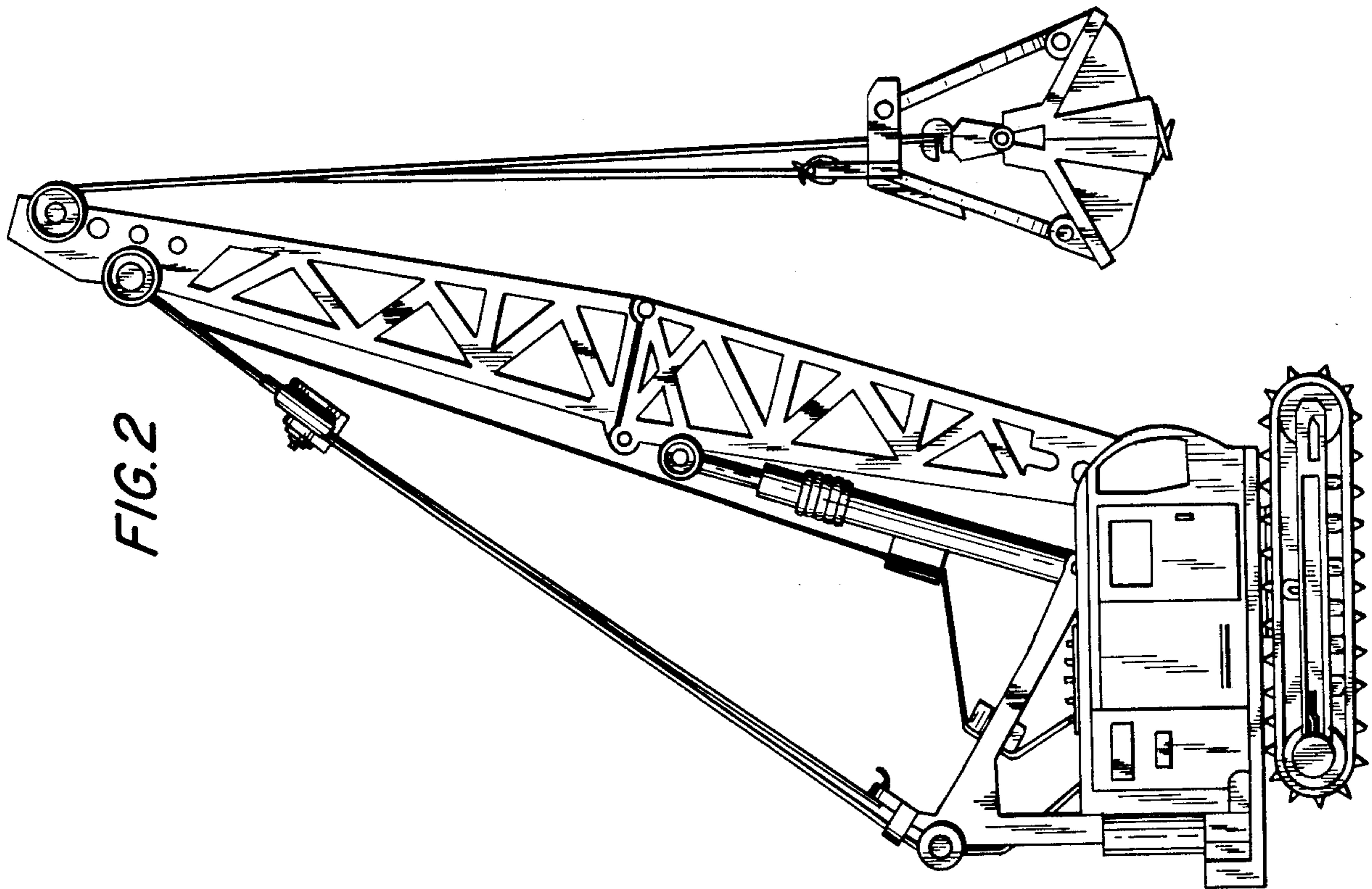


FIG. 5

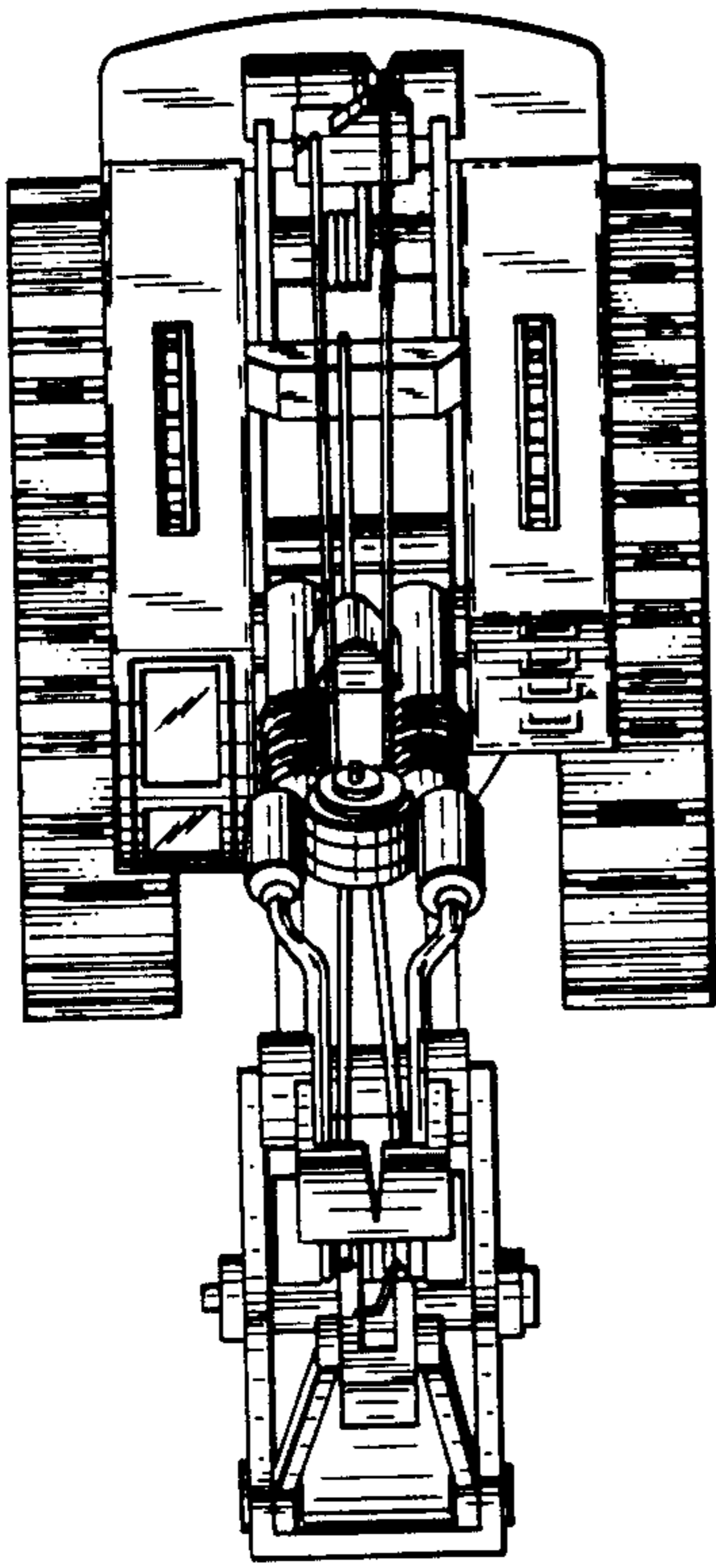


FIG. 6

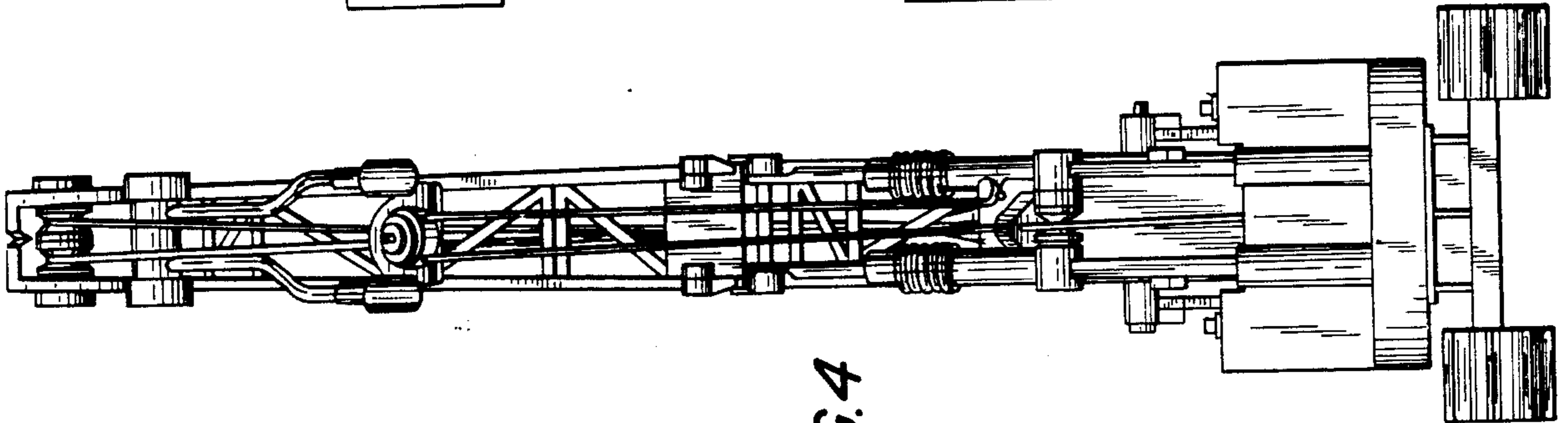
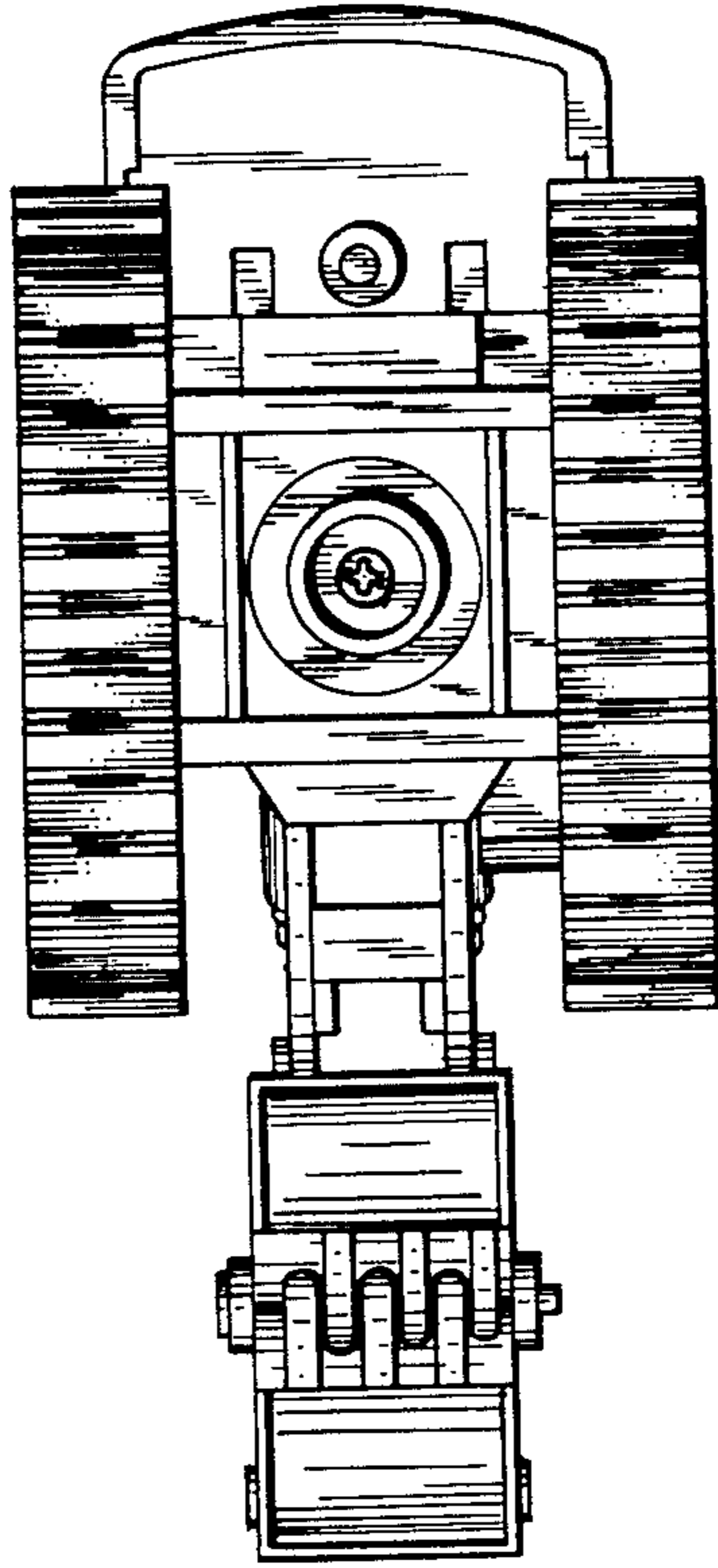


FIG. 4

FIG. 3

