

[54] TOY VEHICLE

[76] Inventor: **Raymond J. Lohr**, 5043 Sterrettania Road, Erie, Pa. 16506

[**] Term: **14 Years**

[21] Appl. No.: **627,547**

[22] Filed: **Oct. 31, 1975**

[51] Int. Cl. **D21-01**

[52] U.S. Cl. **D34/15 AJ**

[58] Field of Search **D12/6-11, D12/26, 131, 132, 112, 113; D34/15 AJ, 15 AT, 14A-14D; 280/87.01, 87.02 R, 87.03, 87.04 R, 87.04 A, 87.04 D, 87.05, 105**

[56] **References Cited**

U.S. PATENT DOCUMENTS

3,035,854	5/1962	Johnston	D34/15 AJ
D. 183,135	7/1958	May	D12/26
D. 226,440	3/1973	Bentley	D34/14 C

Primary Examiner—Joel Stearman
Assistant Examiner—C. A. Rademaker
Attorney, Agent, or Firm—Charles L. Lovercheck

[57] **CLAIM**

The ornamental design for a toy vehicle, as shown and described.

DESCRIPTION

FIG. 1 is a front perspective view of a toy vehicle showing my new design.

FIG. 2 is a top plan view thereof.

FIG. 3 is a front elevational view thereof.

FIG. 4 is a side elevational view thereof.

FIG. 5 is a bottom plan view thereof.

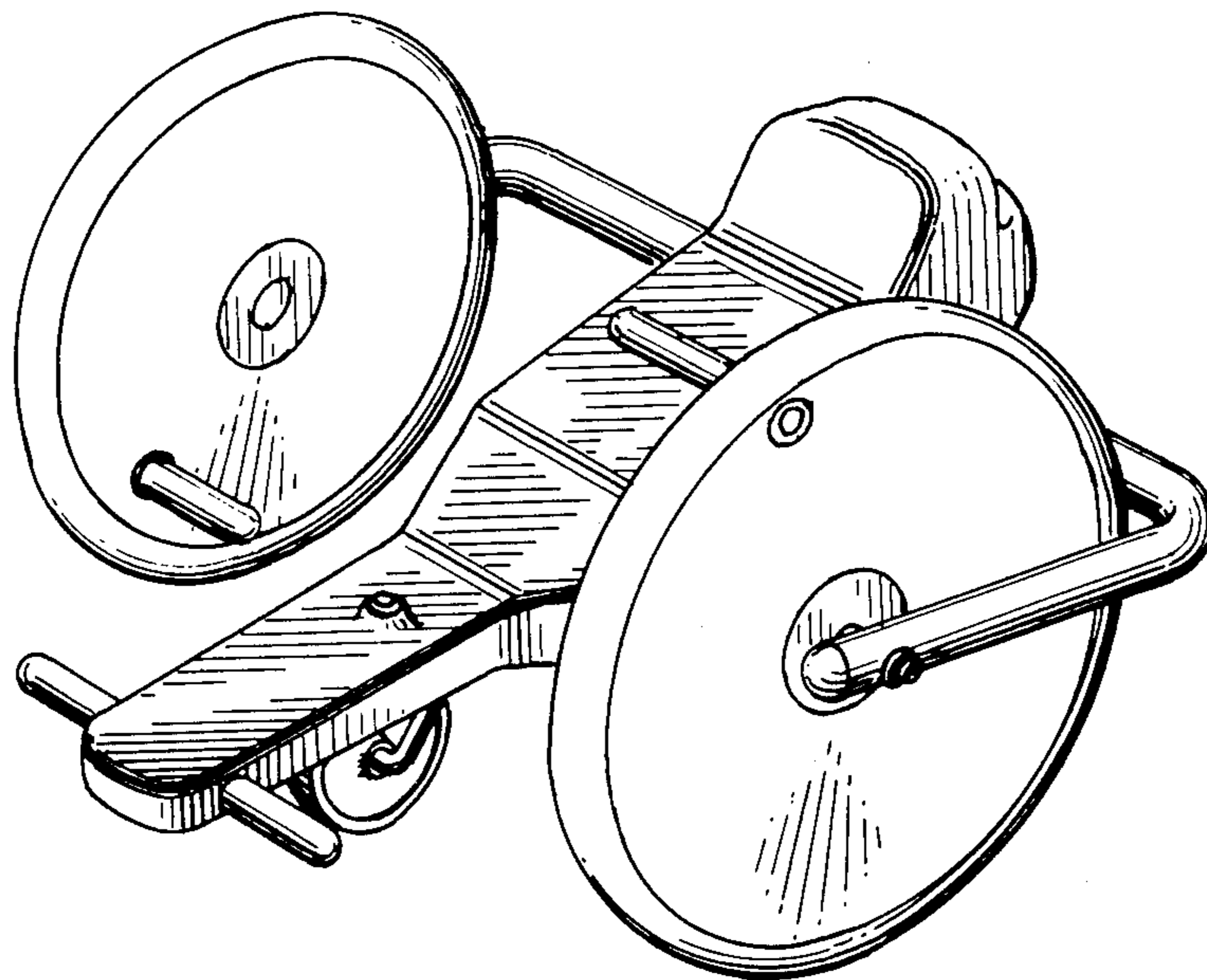


FIG. 1.

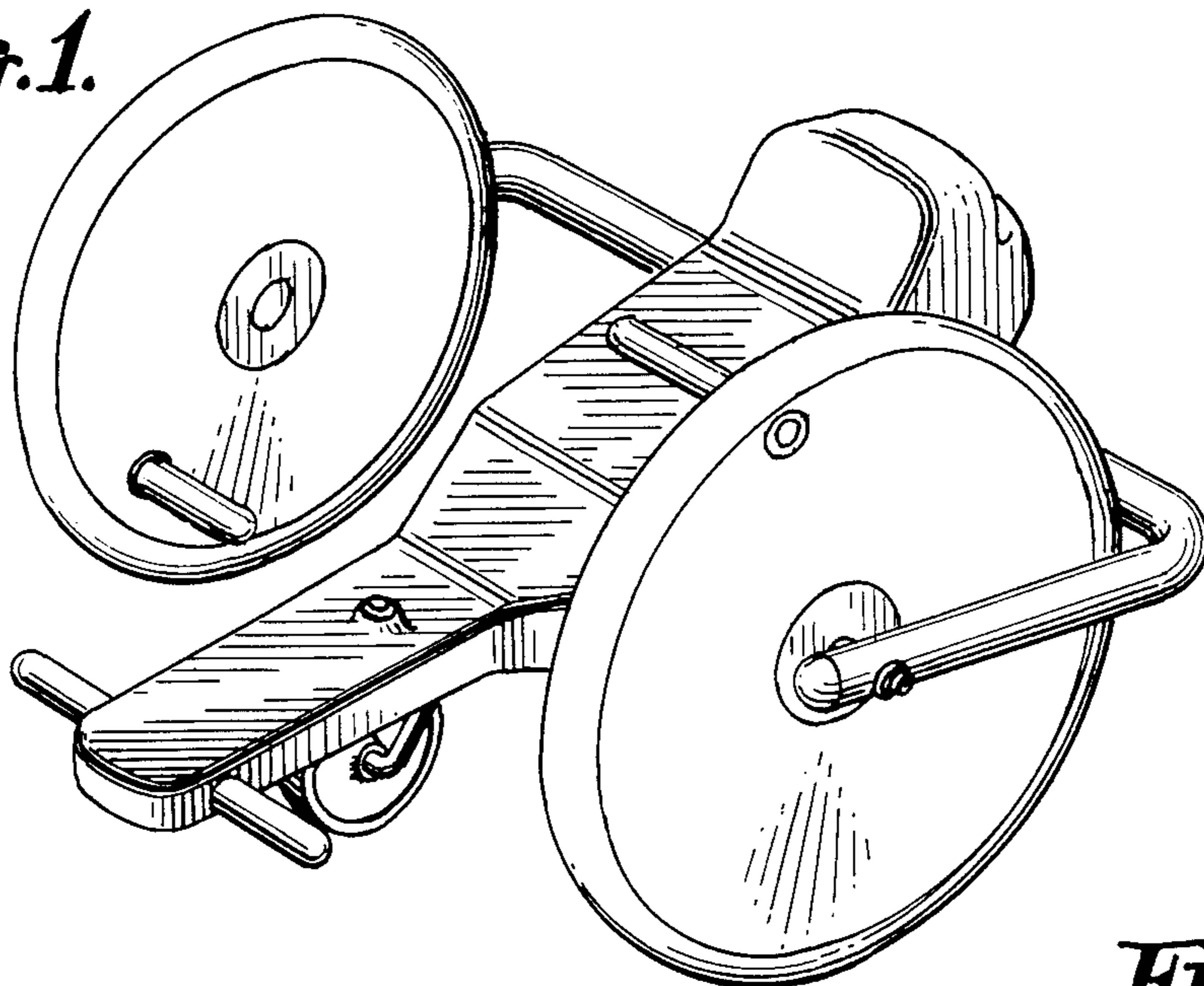


FIG. 2.

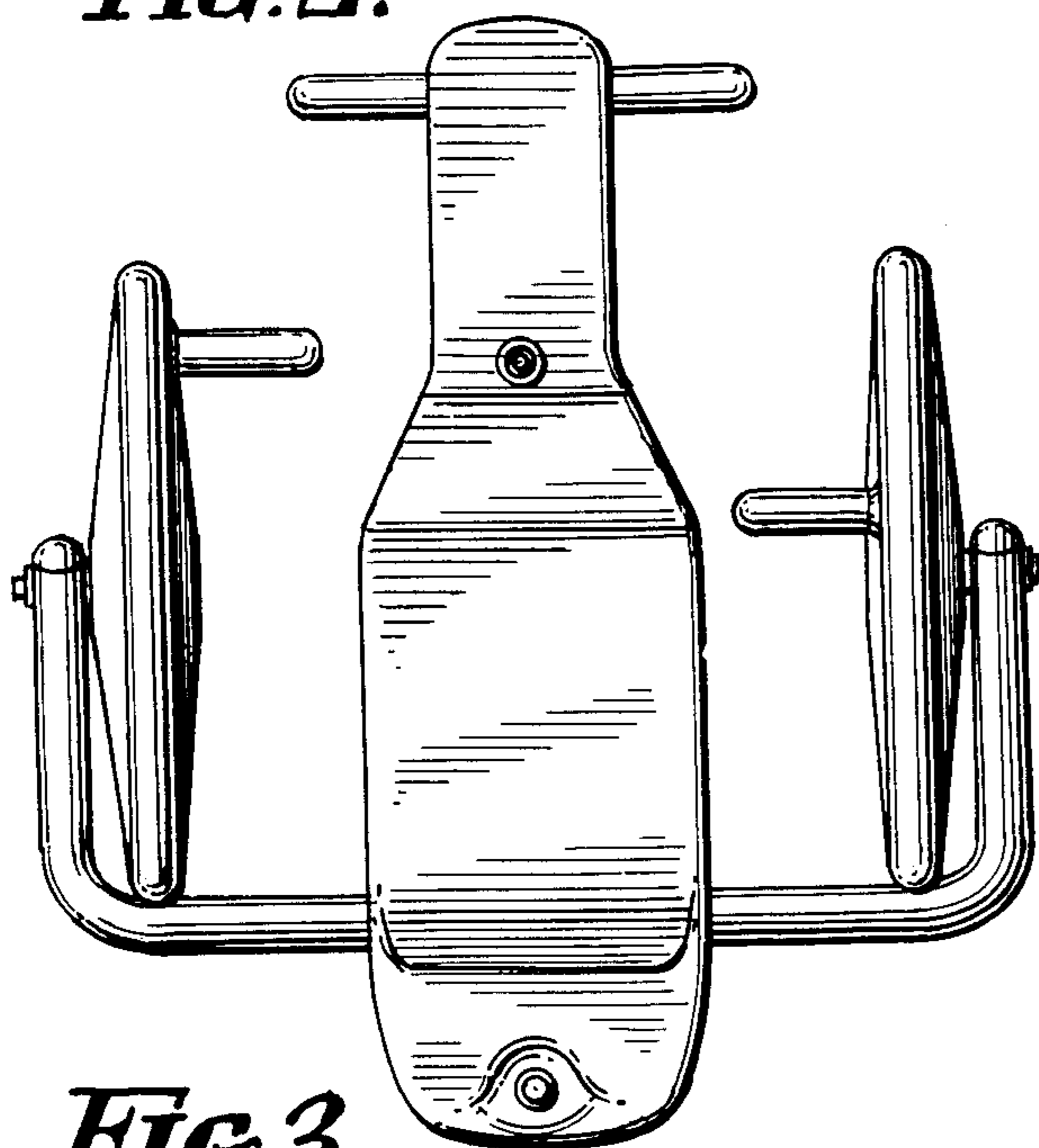


FIG. 5.

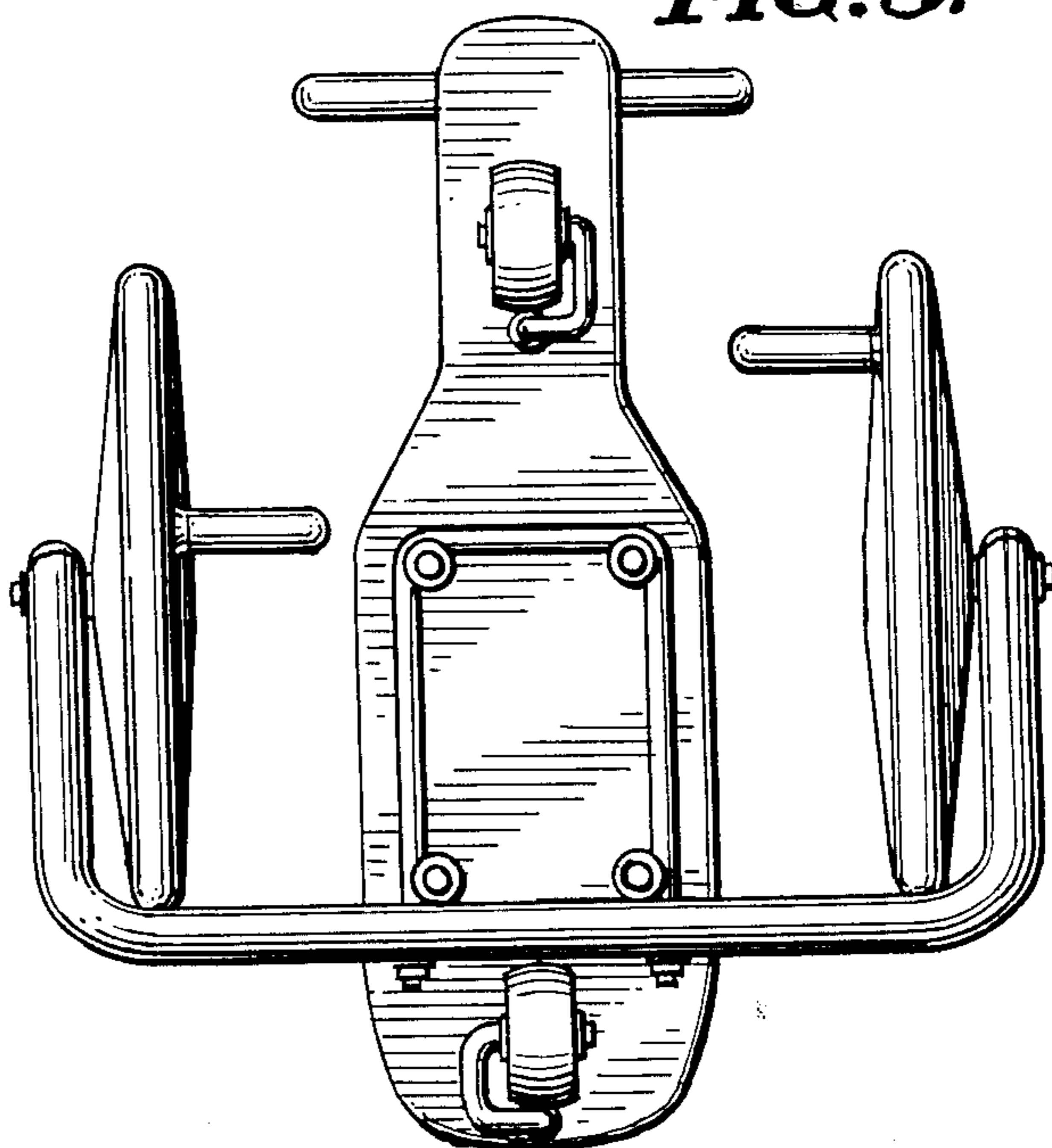


FIG. 3.

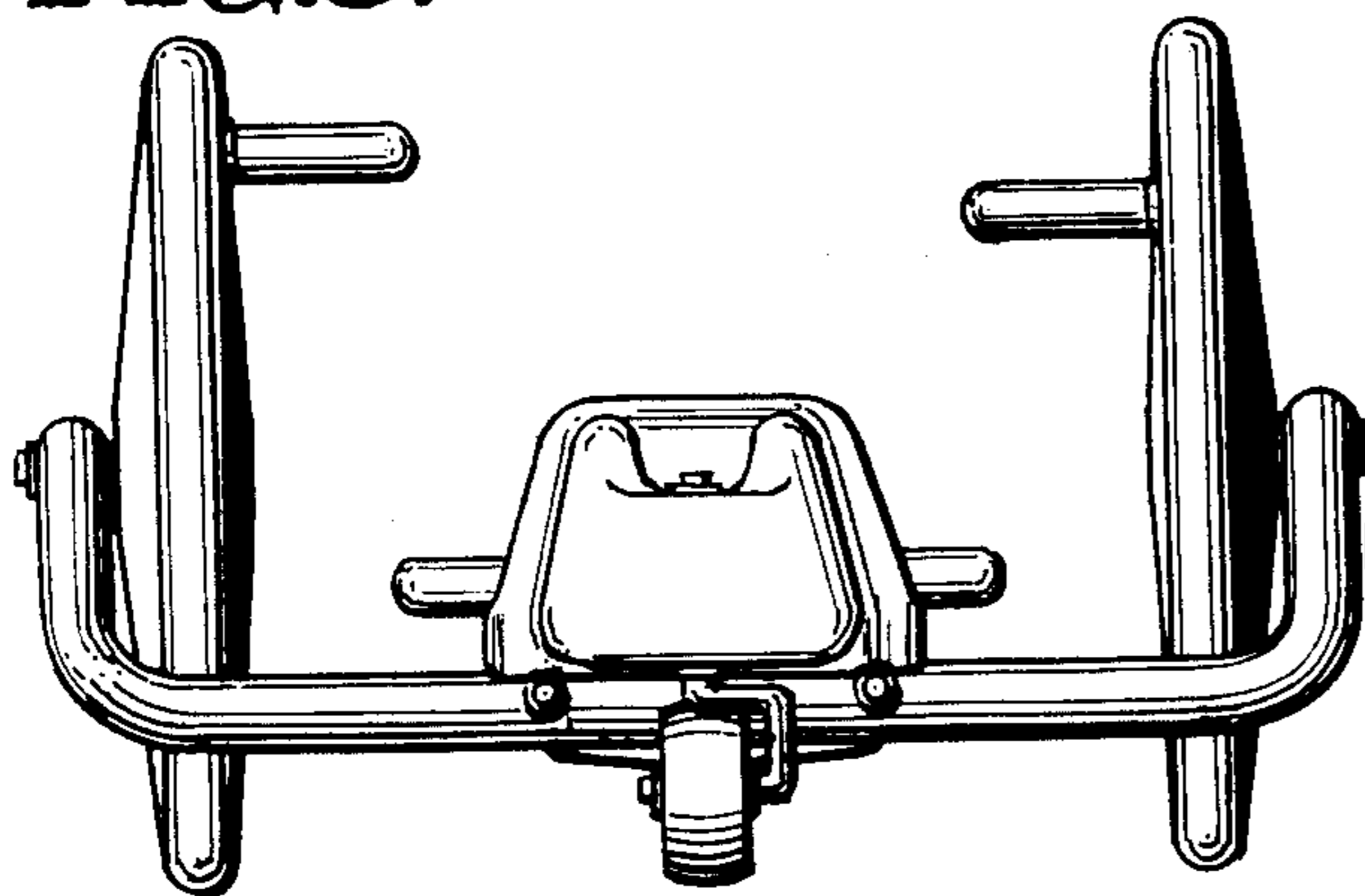


FIG. 4.

