

[54] **BUILDING BLOCK**
[76] Inventor: **Mitsuru Sato**, No. 3690,
Tsuruta-Cho, Utdunomiya, Tochigi,
Japan

[**] Term: **14 Years**
[21] Appl. No.: **645,298**
[22] Filed: **Dec. 29, 1975**

[51] Int. Cl. **D25-01**
[52] U.S. Cl. **D25/91**
[58] Field of Search **D25/88, 91, 80, 64,**
D25/65, 86, 89, 90, 92, 93, 94, 95, 96, 97;
404/41; 52/593, 606, 311-316

[56] **References Cited**
U.S. PATENT DOCUMENTS
2,577,170 12/1951 Walters 52/606 X

2,858,463 10/1958 Koda et al. D25/91 X
3,641,983 2/1972 Keen et al. D25/91 X
3,838,535 10/1974 Larws 52/593 X
D. 230,269 2/1974 Shuey D25/91

FOREIGN PATENT DOCUMENTS

1,509,003 12/1967 France 404/41

Primary Examiner—A. Hugo Word
Attorney, Agent, or Firm—John E. Lind

[57] **CLAIM**

The ornamental design for a building block, as shown and described.

DESCRIPTION

FIG. 1 is a perspective view of a building block showing my new design.

FIG. 2 is a front view thereof.

FIG. 3 is a side view thereof.

FIG. 4 is a top plan view thereof.

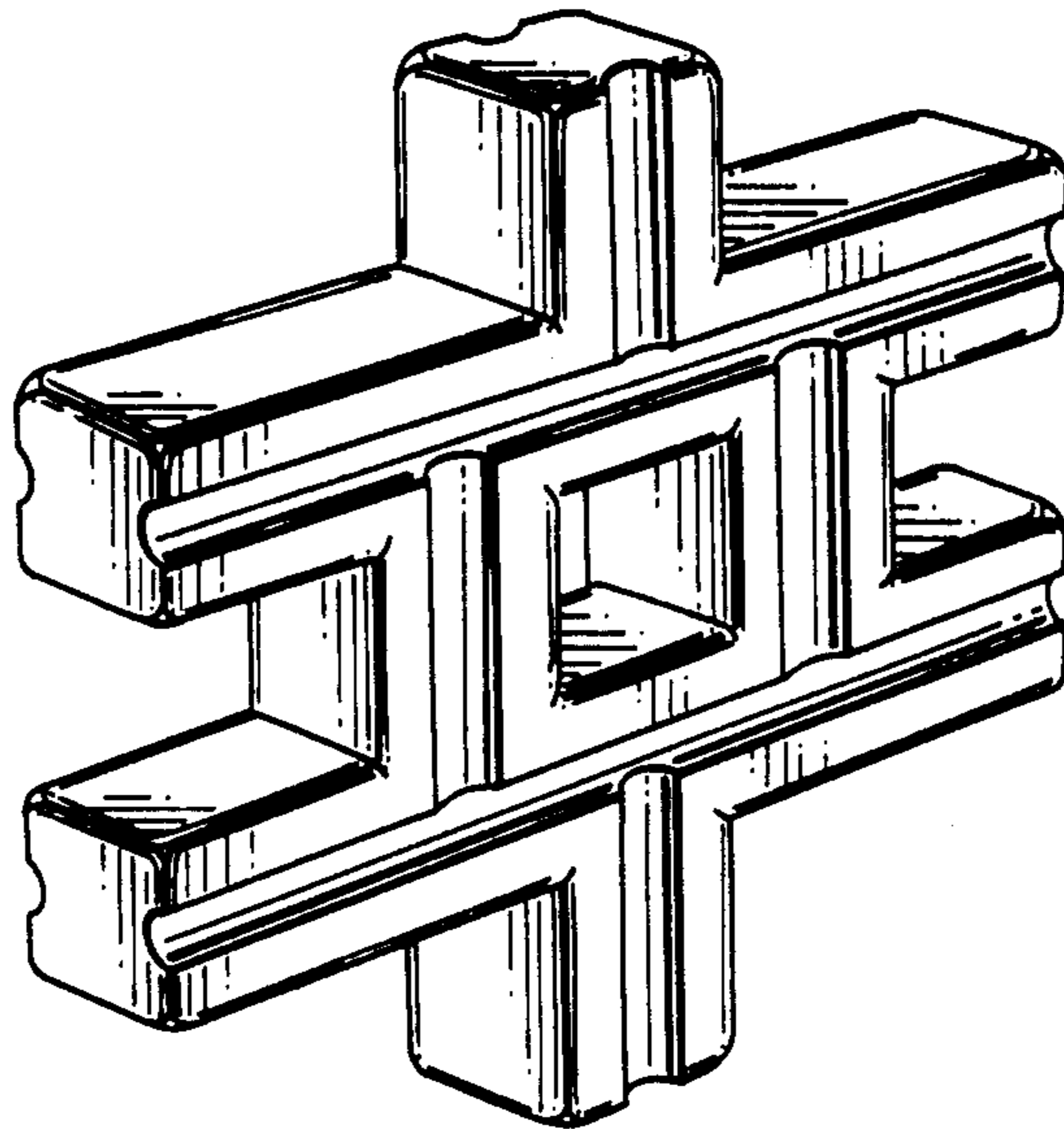


FIG. 1

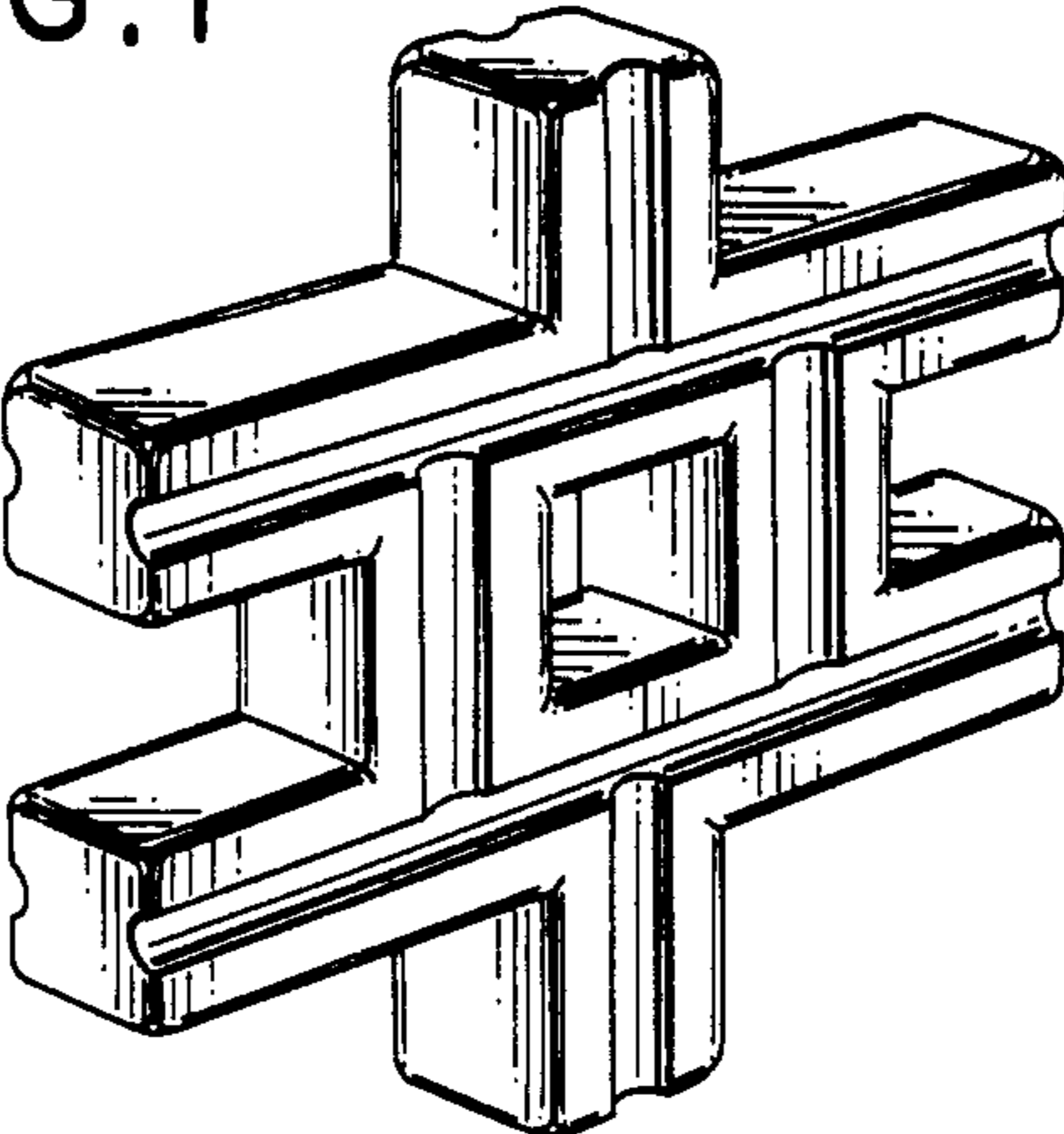


FIG. 2

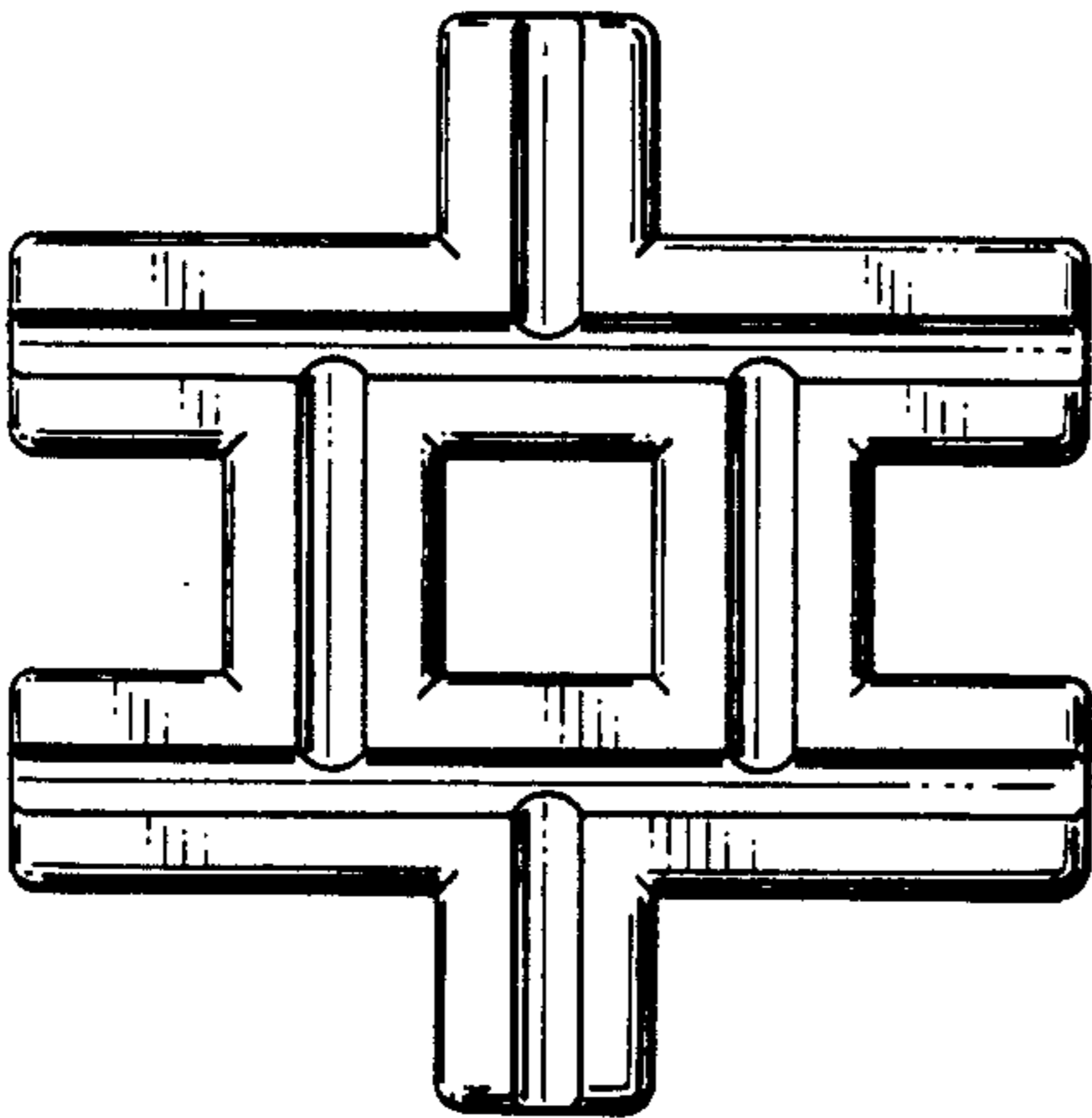


FIG. 3



FIG. 4

