

[54] **BUILDING**

[76] **Inventor:** **Joseph N. DiPasqua**, 611 Ora St.,  
Daytona Beach, Fla. 32018

[\*\*] **Term:** **14 Years**

[21] **Appl. No.:** **509,296**

[22] **Filed:** **Sept. 25, 1974**

[51] **Int. Cl.** ..... **D25—03**

[52] **U.S. Cl.** ..... **D25/5**

[58] **Field of Search** ..... **D13/1 R, 1 A, 1 B, 1 C,**  
**D13/1 D, 1 E; 52/29, 73, 30, 174, 175, 176, 234,**  
**235, 236; D25/1, 3, 5, 6**

[56]

**References Cited**

**U.S. PATENT DOCUMENTS**

3,290,837	12/1966	Weston .....	D13/1 E
3,330,083	7/1967	Jaulmes .....	52/83 X
3,866,363	2/1975	King .....	D13/1 E

*Primary Examiner*—A. Hugo Word  
*Attorney, Agent, or Firm*—Sydney B. Schlessel

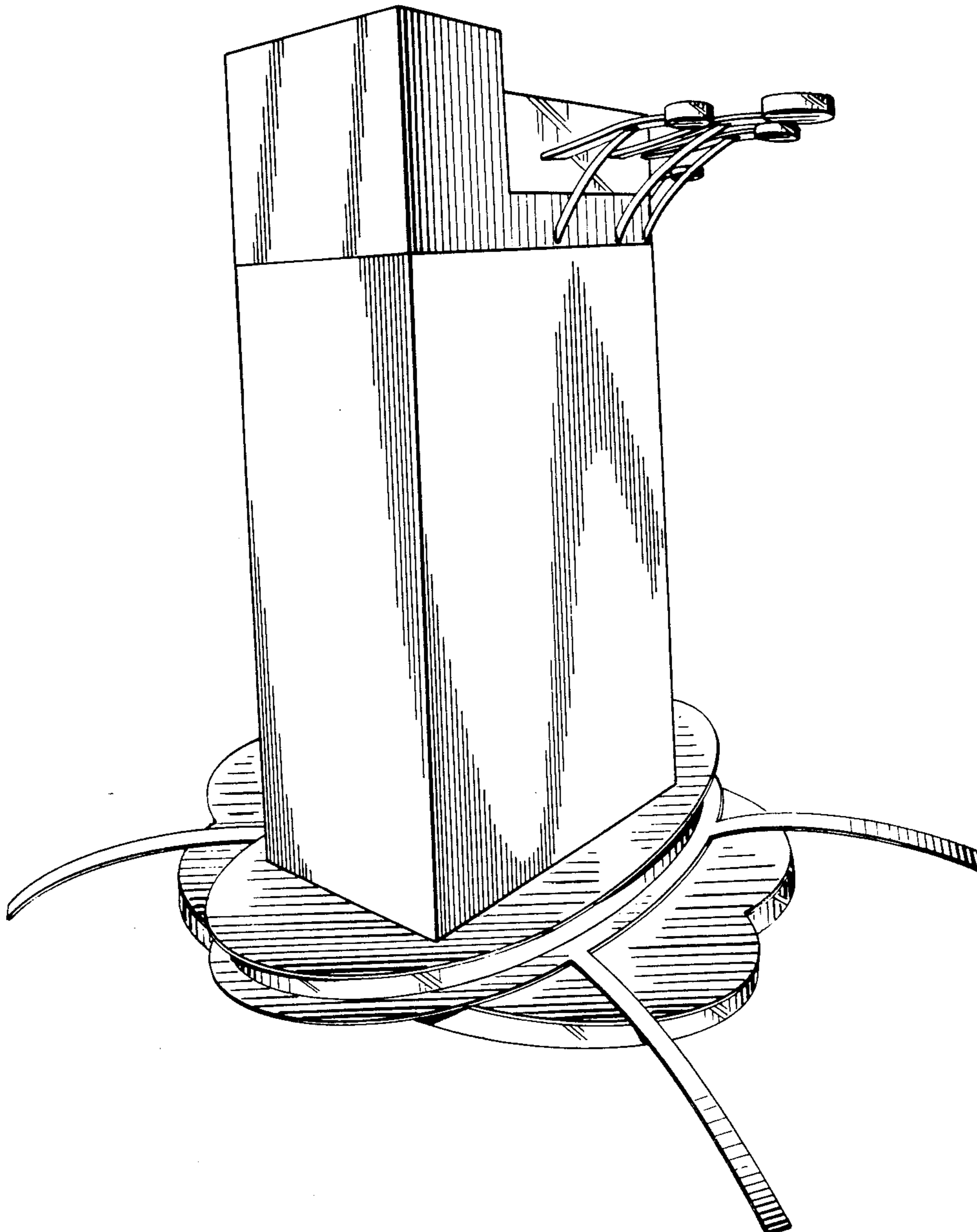
[57]

**CLAIM**

The ornamental design for a building, as shown and described.

**DESCRIPTION**

FIG. 1 is a side perspective view of the building in accordance with my design;  
FIG. 2 is an enlarged top view of the building;  
FIG. 3 is a reduced front view thereof; and  
FIG. 4 is a side view on the scale of FIG. 3.



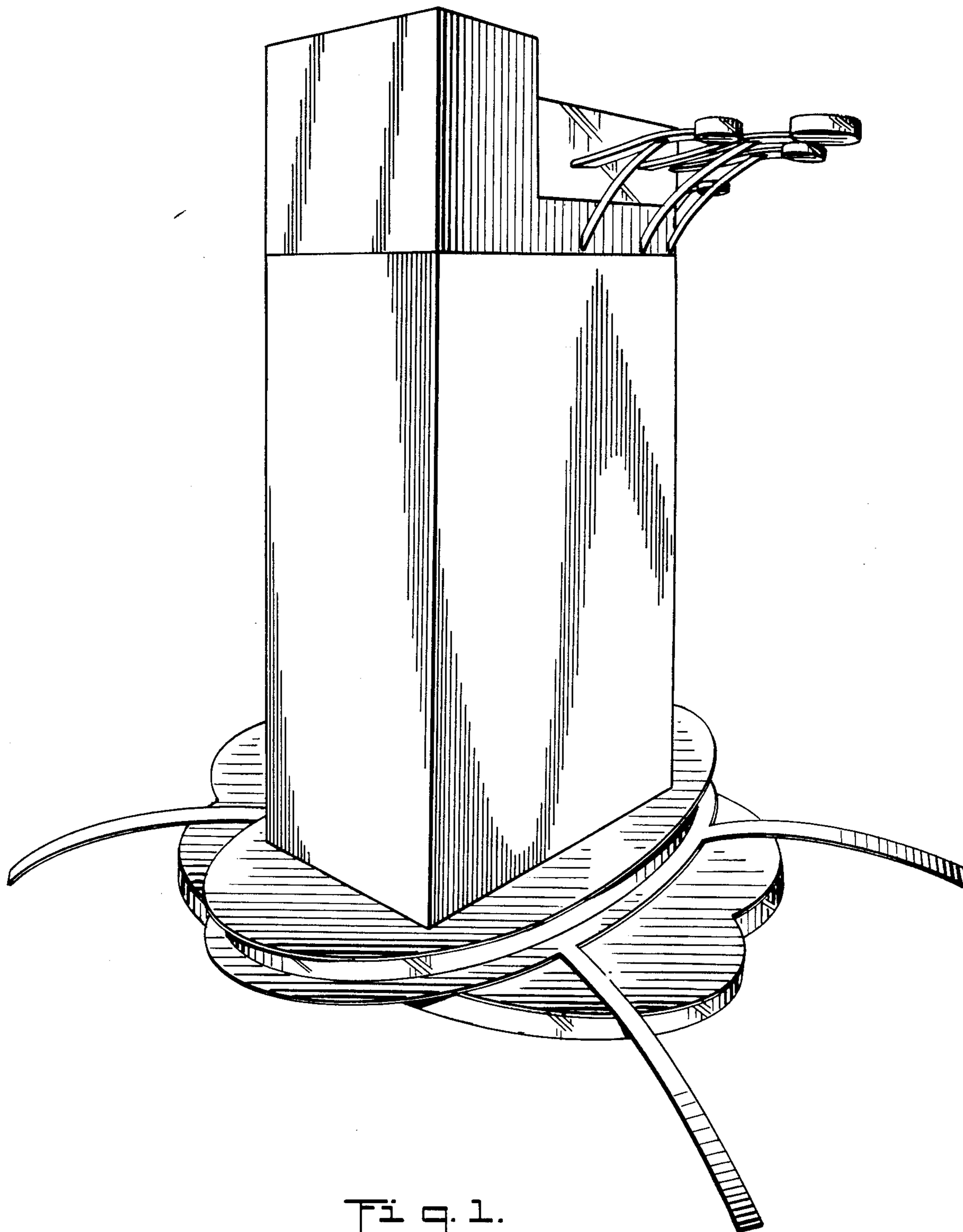


Fig. 1.

Fig. 2.

