

[54] PROPORTIONAL DIALYSIS UNIT

[75] Inventors: James G. Bruni, Manhattan Beach, Calif.; Richard W. George, Libertyville, Ill.; Stephen G. Hauser, Tarzana, Calif.; Charles E. Hodgson; Richard J. Range, both of Silver Spring, Md.

[73] Assignee: Baxter Travenol Laboratories, Inc.

[**] Term: 14 Years

[21] Appl. No.: 689,004

[22] Filed: May 24, 1976

[51] Int. Cl. D24-01

[52] U.S. Cl. D24/21

[58] Field of Search D83/1 F; 210/321; 128/214 R, 214 B; D24/21, 1.1

[56]

References Cited

U.S. PATENT DOCUMENTS

3,482,574	12/1969	Stover et al.	128/214 R
3,489,146	1/1970	Rubin et al.	128/214 R
3,699,960	10/1972	Freedman	128/214 B
D. 216,850	3/1970	Carsello	D83/1 F
D. 219,565	12/1970	Pecker	D83/1 F

Primary Examiner—Bernard Ansher
Attorney, Agent, or Firm—Richard G. Kinney

[57]

CLAIM

The ornamental design for a proportional dialysis unit, as shown.

DESCRIPTION

FIG. 1 is a front perspective view of the proportional dialysis unit, showing our new design; FIG. 2 is a rear perspective view of the instrument of FIG. 1; FIG. 3 is a front elevation of the instrument of FIGS. 1 and 2; and FIG. 4 is a side elevation of the instrument of FIGS. 1-3.

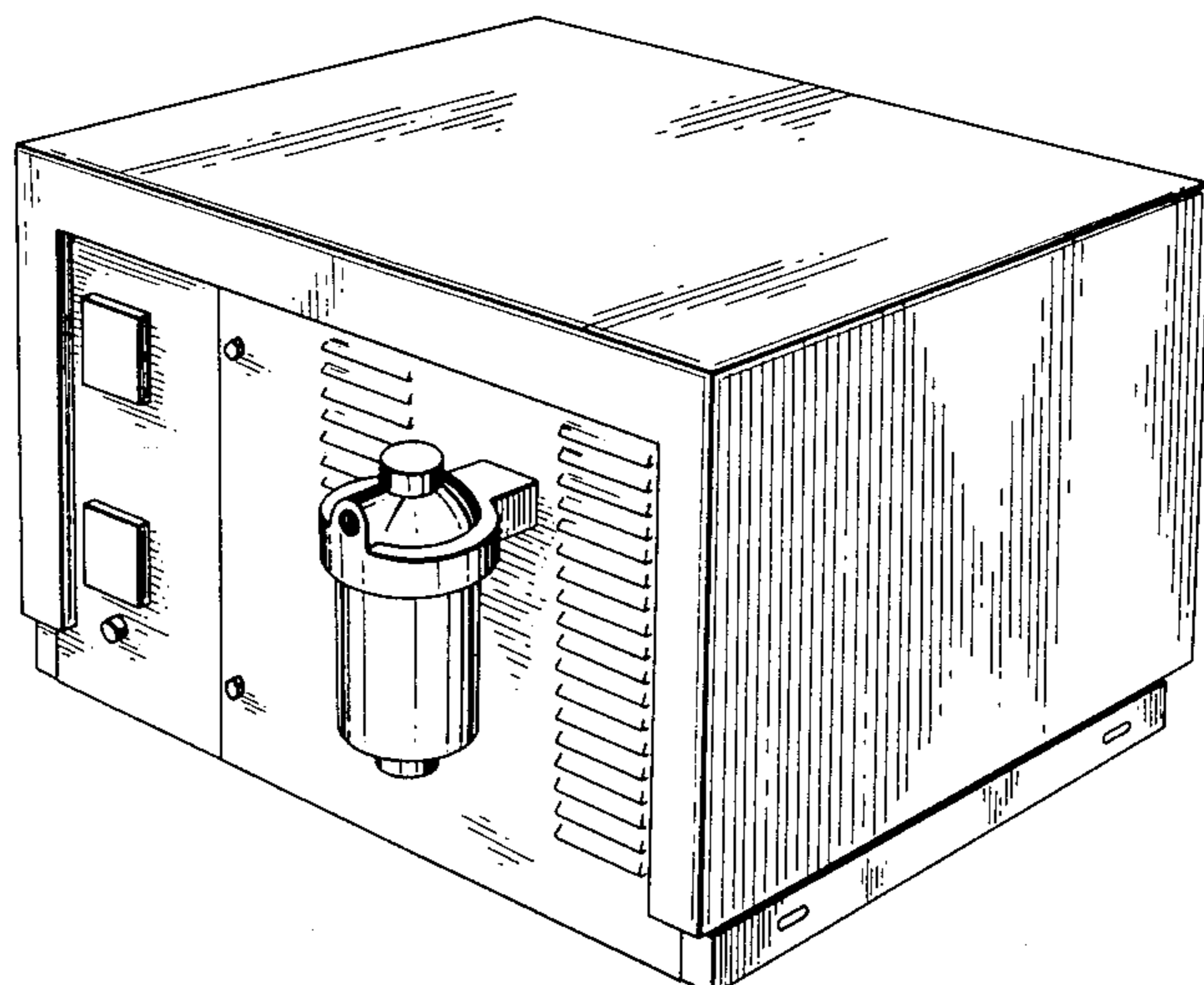
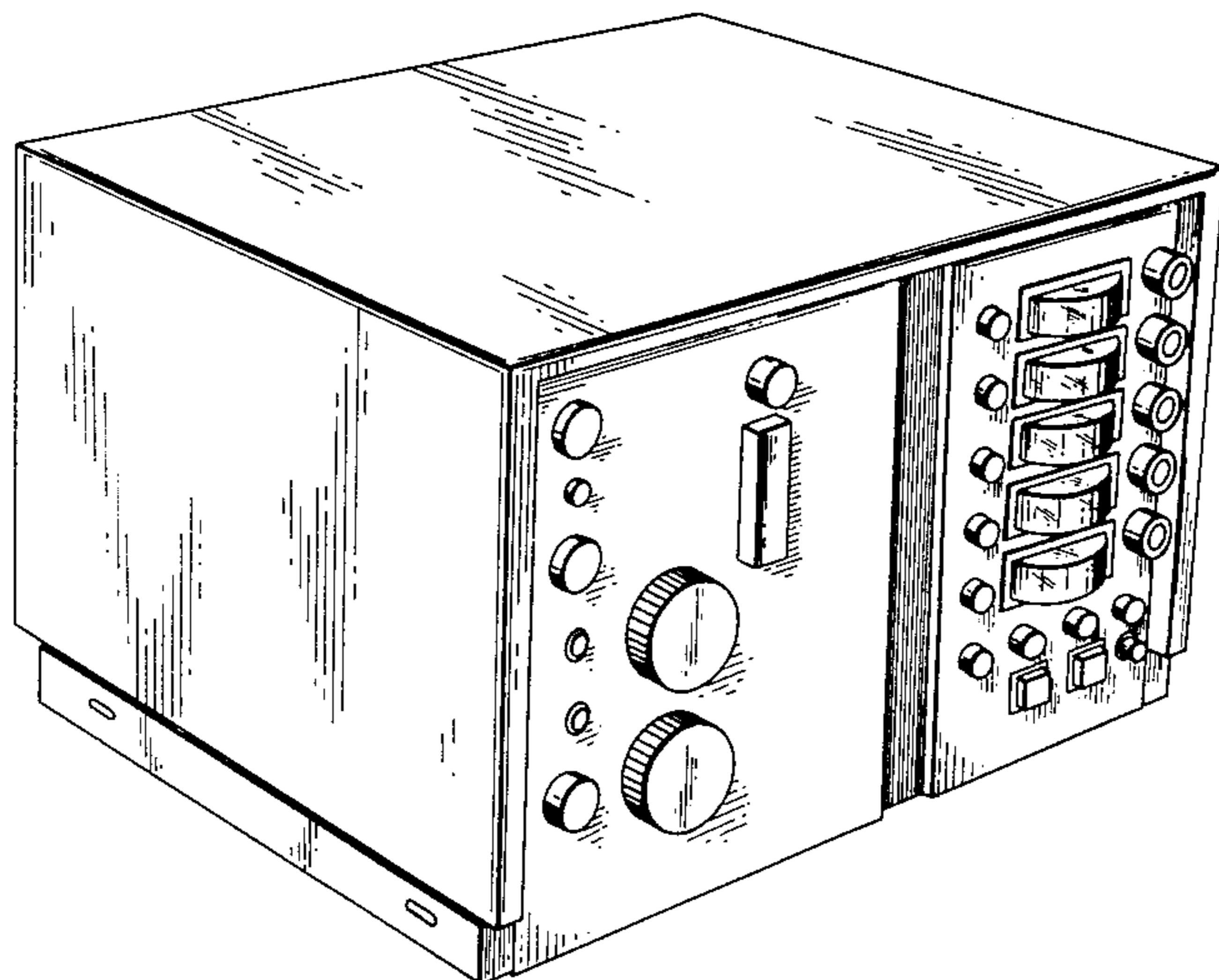


FIG. 1

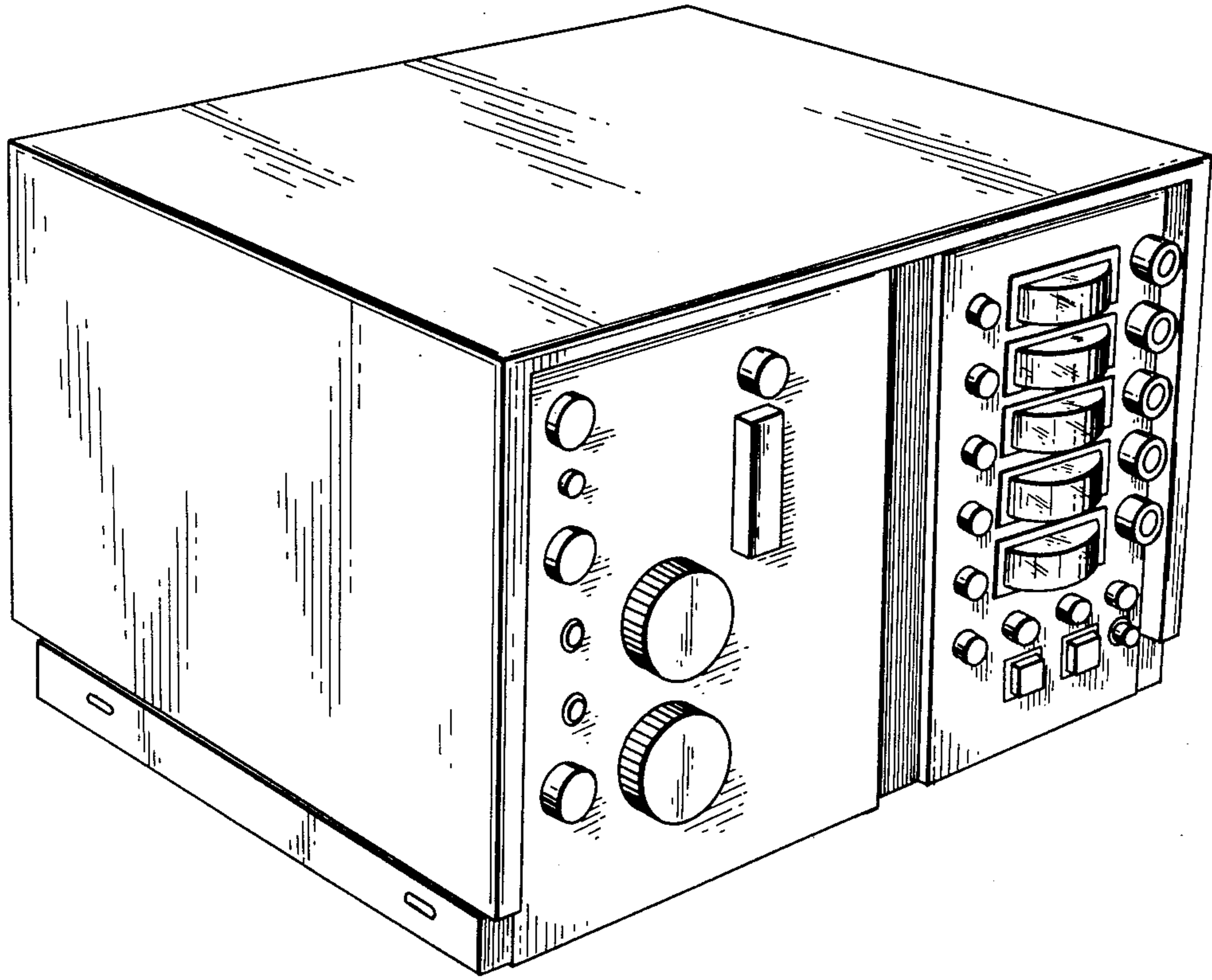


FIG. 2

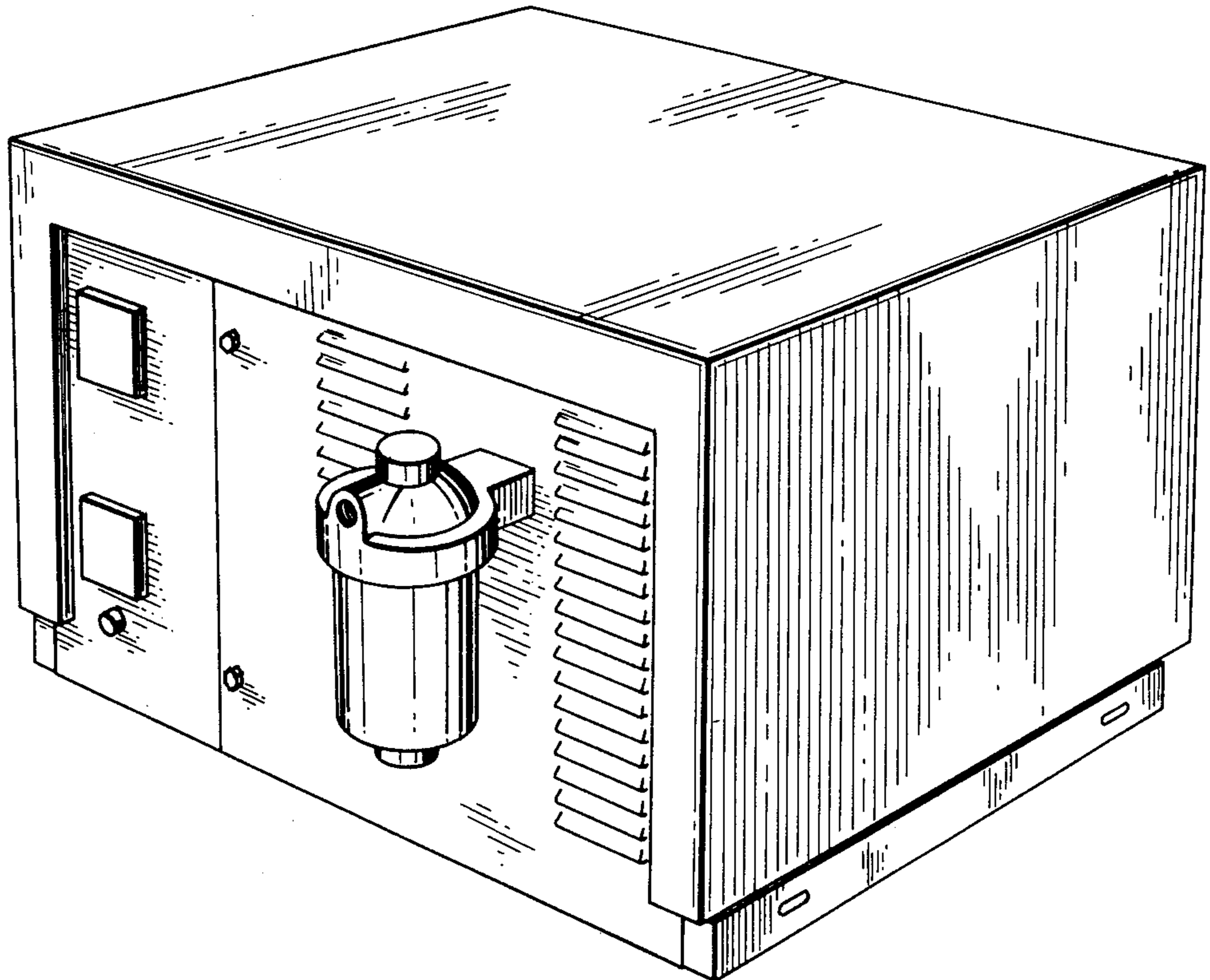


FIG. 3

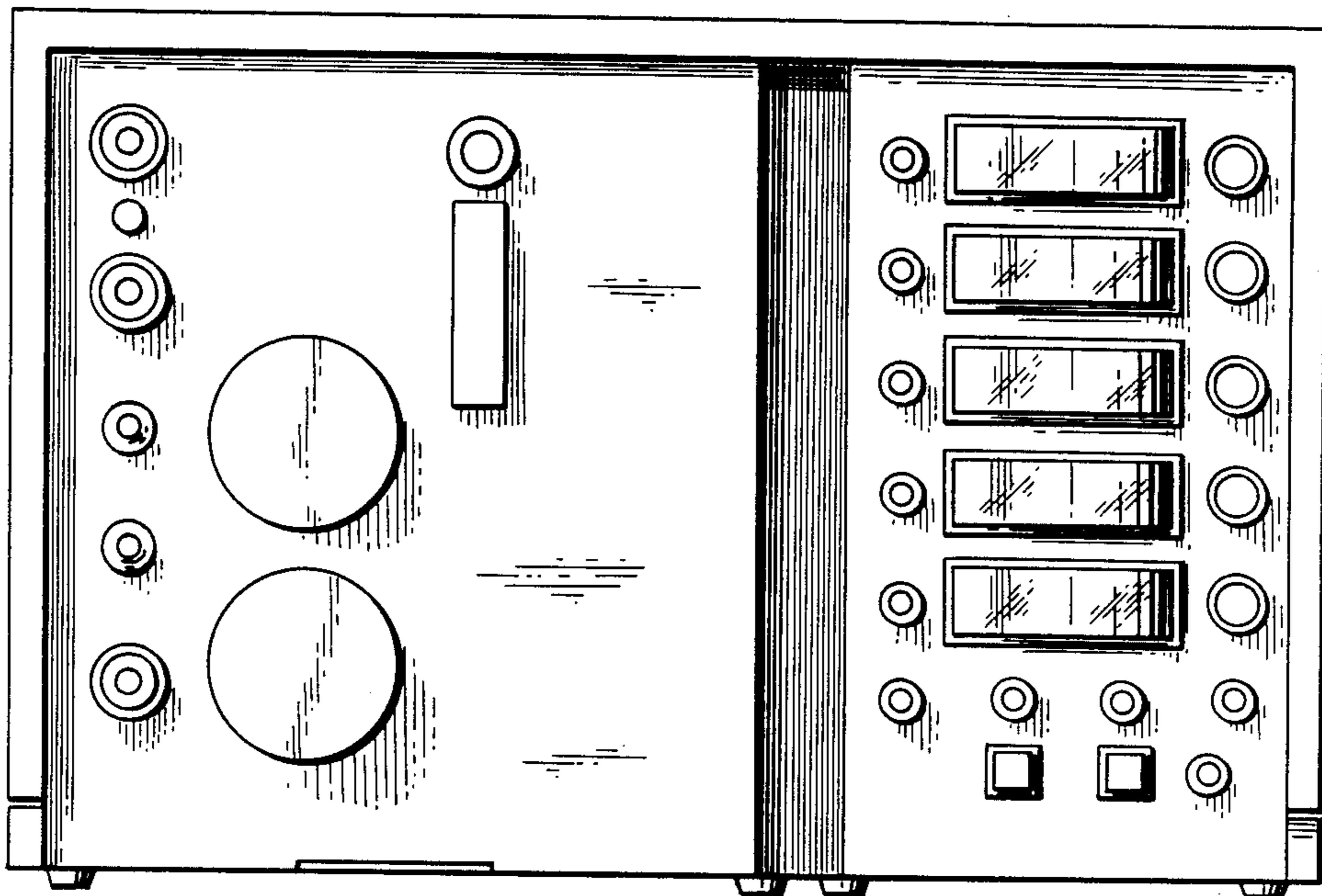


FIG. 4

