

[54] CHIMNEY CAP

[75] Inventor: David O. Brazell, La Mesa, Calif.

[73] Assignee: Fireplace Sales, Division of Taylor Construction, San Marcos, Calif.

[**] Term: 14 Years

[21] Appl. No.: 682,711

[22] Filed: May 3, 1976

[51] Int. Cl. D23-04

[52] U.S. Cl. D23/154

[58] Field of Search D23/139-167;
98/59, 67, 122

[56] References Cited

U.S. PATENT DOCUMENTS

494,454	3/1893	Ashton	98/67
674,360	5/1901	LeCount	98/67
2,536,235	1/1951	Steelman et al.	98/67
2,755,730	7/1956	Douty	98/67
2,830,525	4/1958	Wilhite	98/67
D. 30,284	2/1899	Holmberg	D23/154
D. 203,632	2/1966	Carpino	D23/154

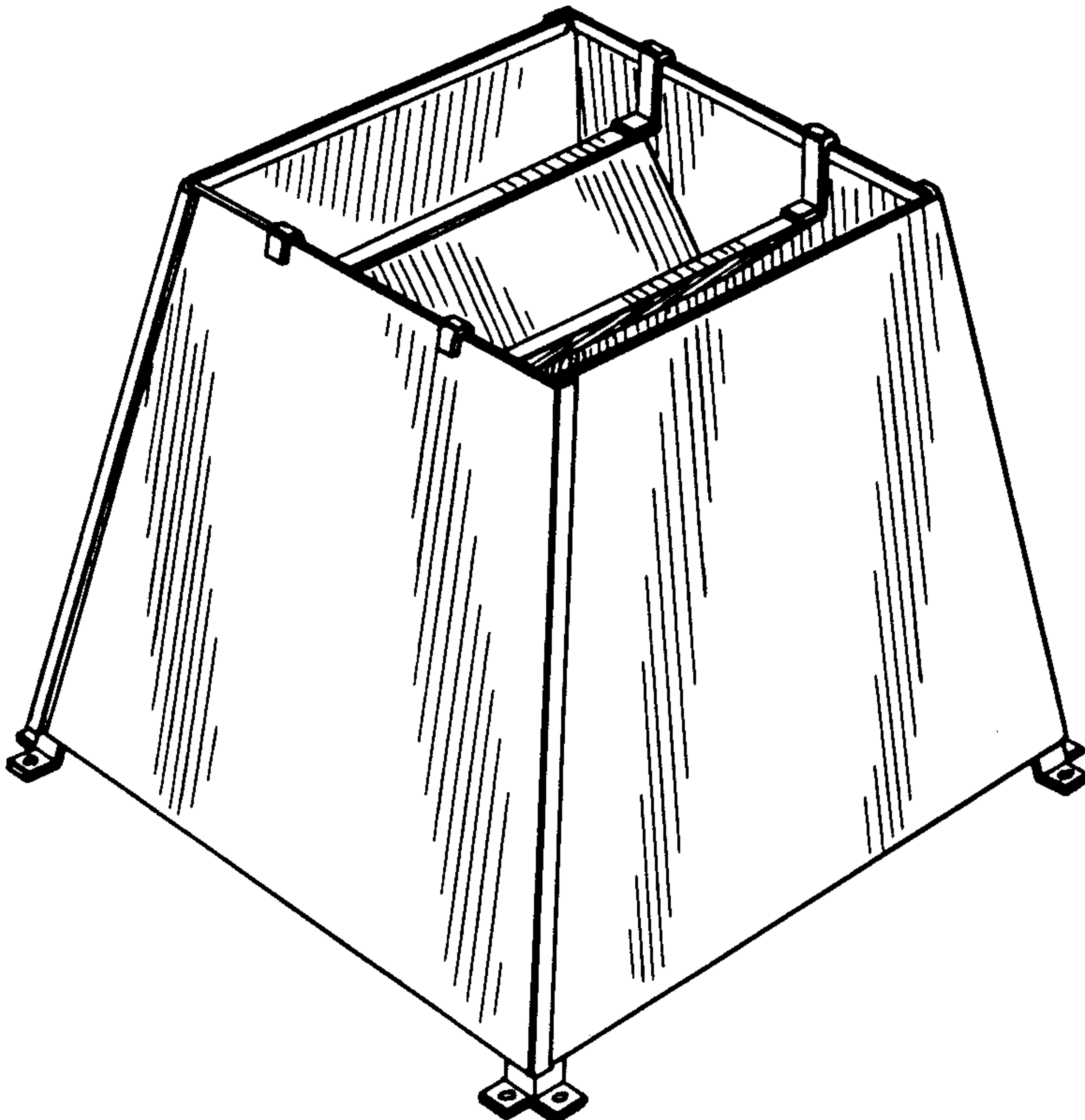
Primary Examiner—James R. Largen
Attorney, Agent, or Firm—Carl R. Brown

[57] CLAIM

The ornamental design for a chimney cap, substantially as shown and described.

DESCRIPTION

FIG. 1 is a perspective view of a chimney cap, showing my new design;
FIG. 2 is a top plan view thereof;
FIG. 3 is a bottom plan view thereof;
FIG. 4 is front elevational view thereof, the rear being the same as the front shown;
FIG. 5 is an elevational view taken from one side thereof, the opposite side being the same as the side shown;
FIG. 6 is a perspective view of a modified form of the chimney cap shown in FIG. 1;
FIG. 7 is a top plan view of FIG. 6;
FIG. 8 is a bottom plan view of FIG. 6;
FIG. 9 is a side elevational view of FIG. 6, the opposite side being a mirror image of the side shown; and
FIG. 10 is a rear elevational view of FIG. 6.



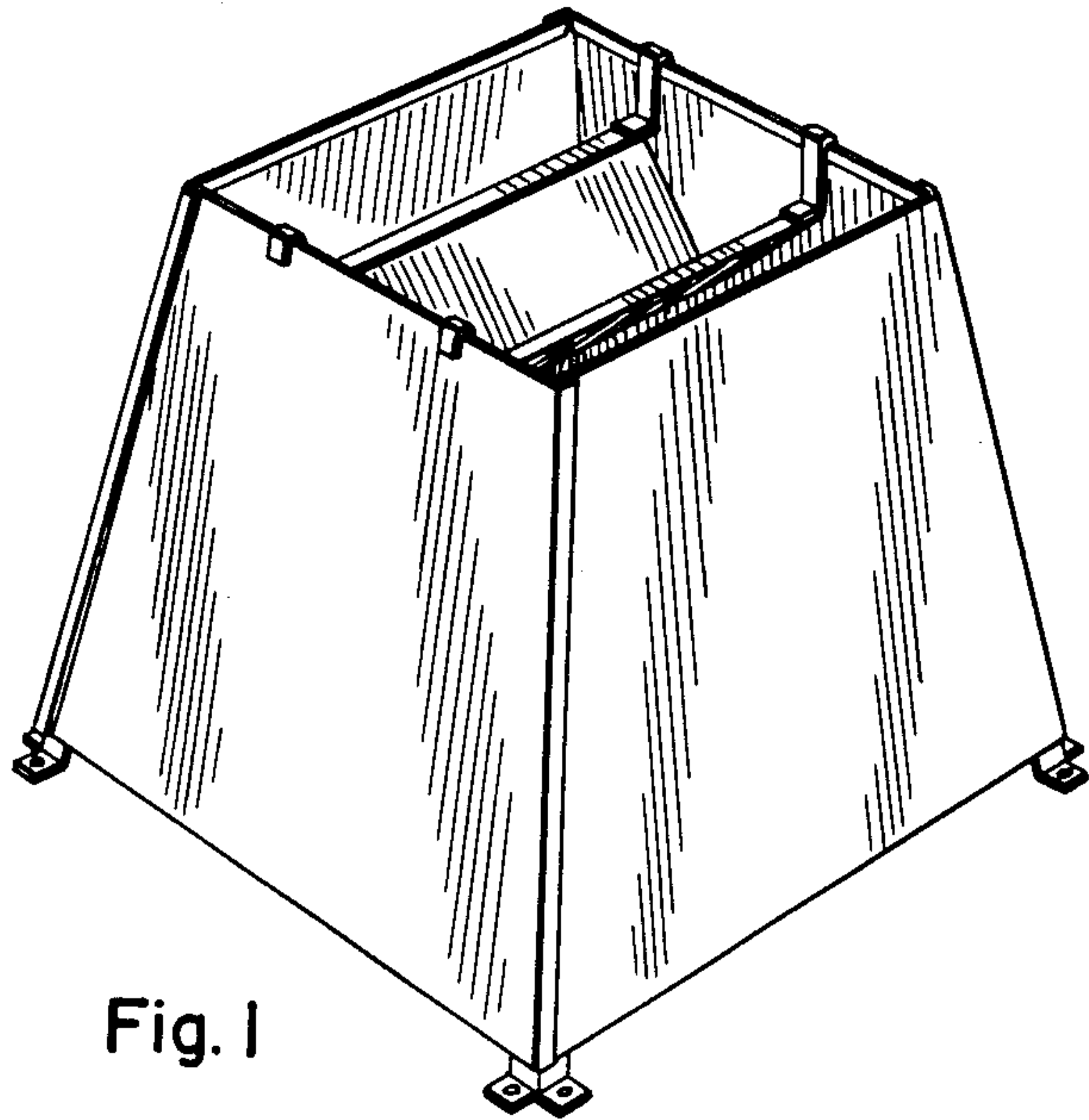


Fig. 1

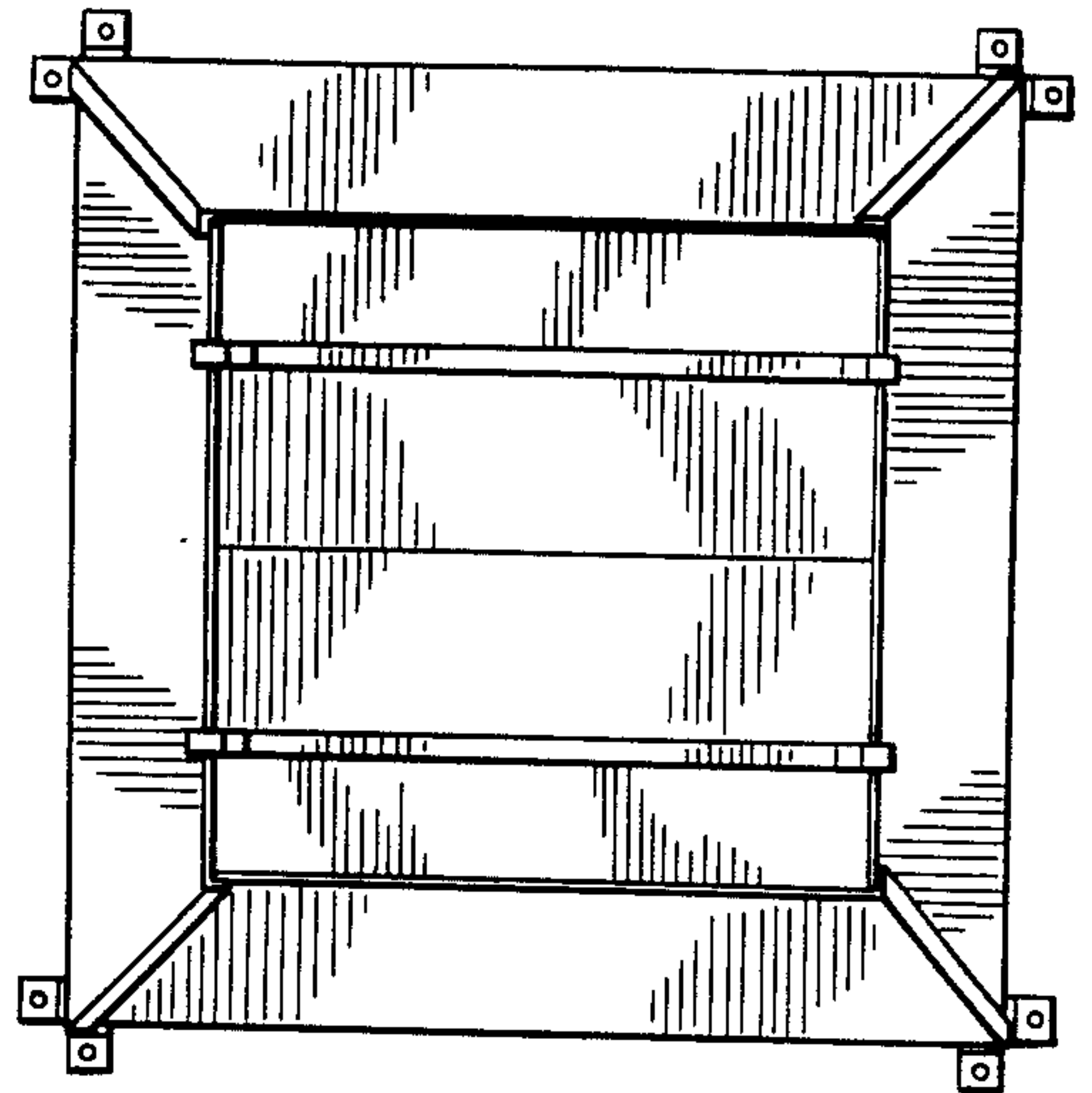


Fig. 2

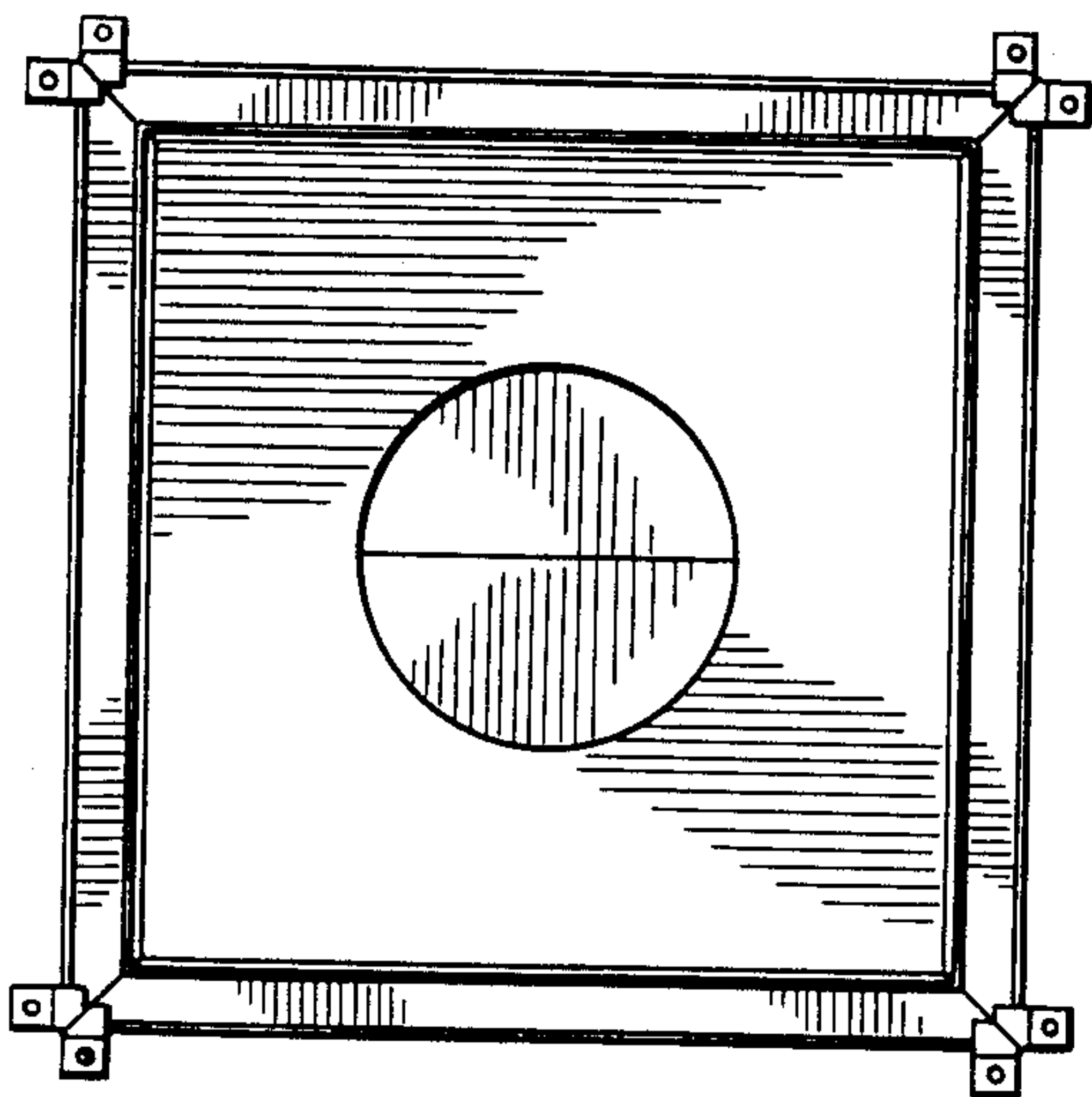


Fig. 3

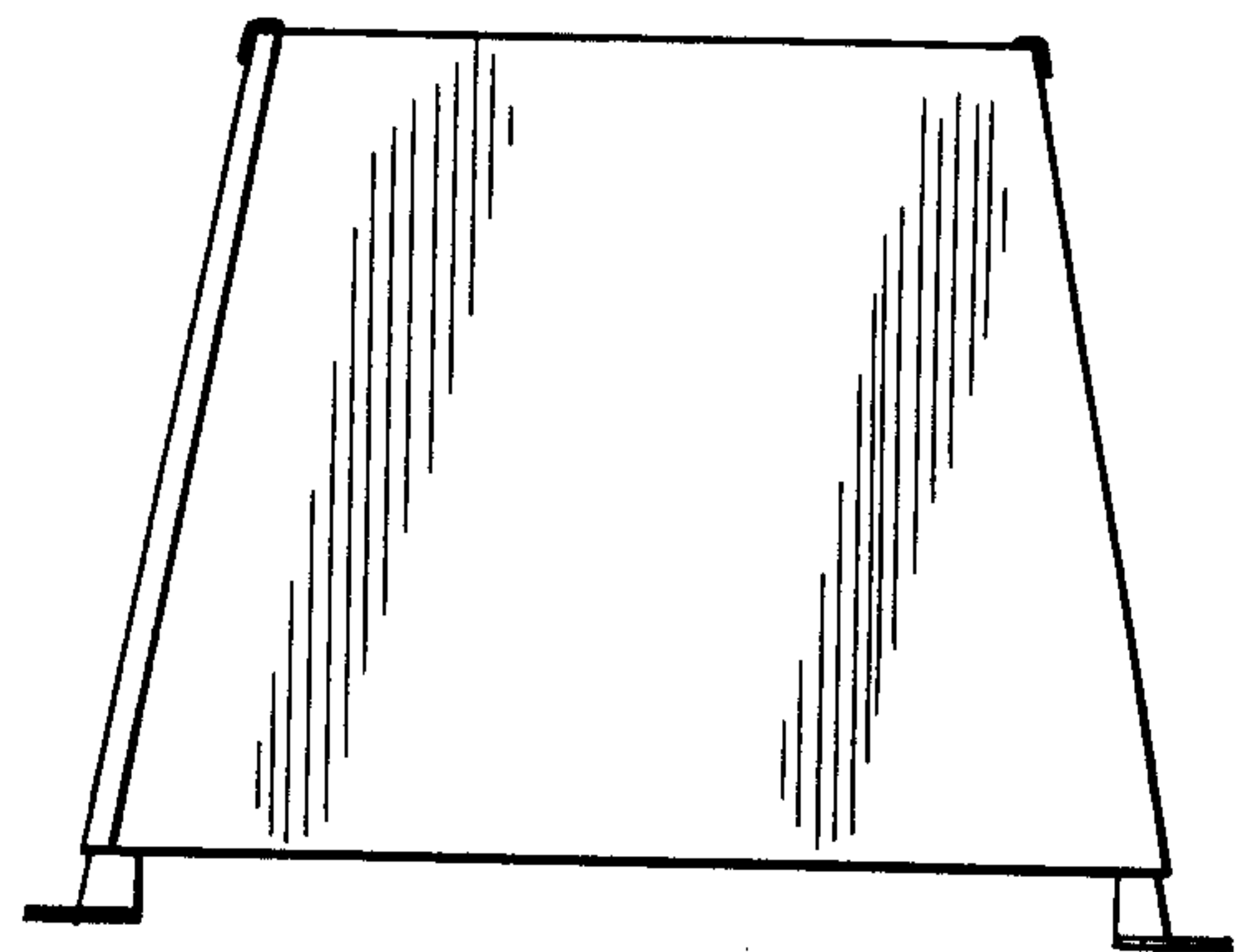


Fig. 4

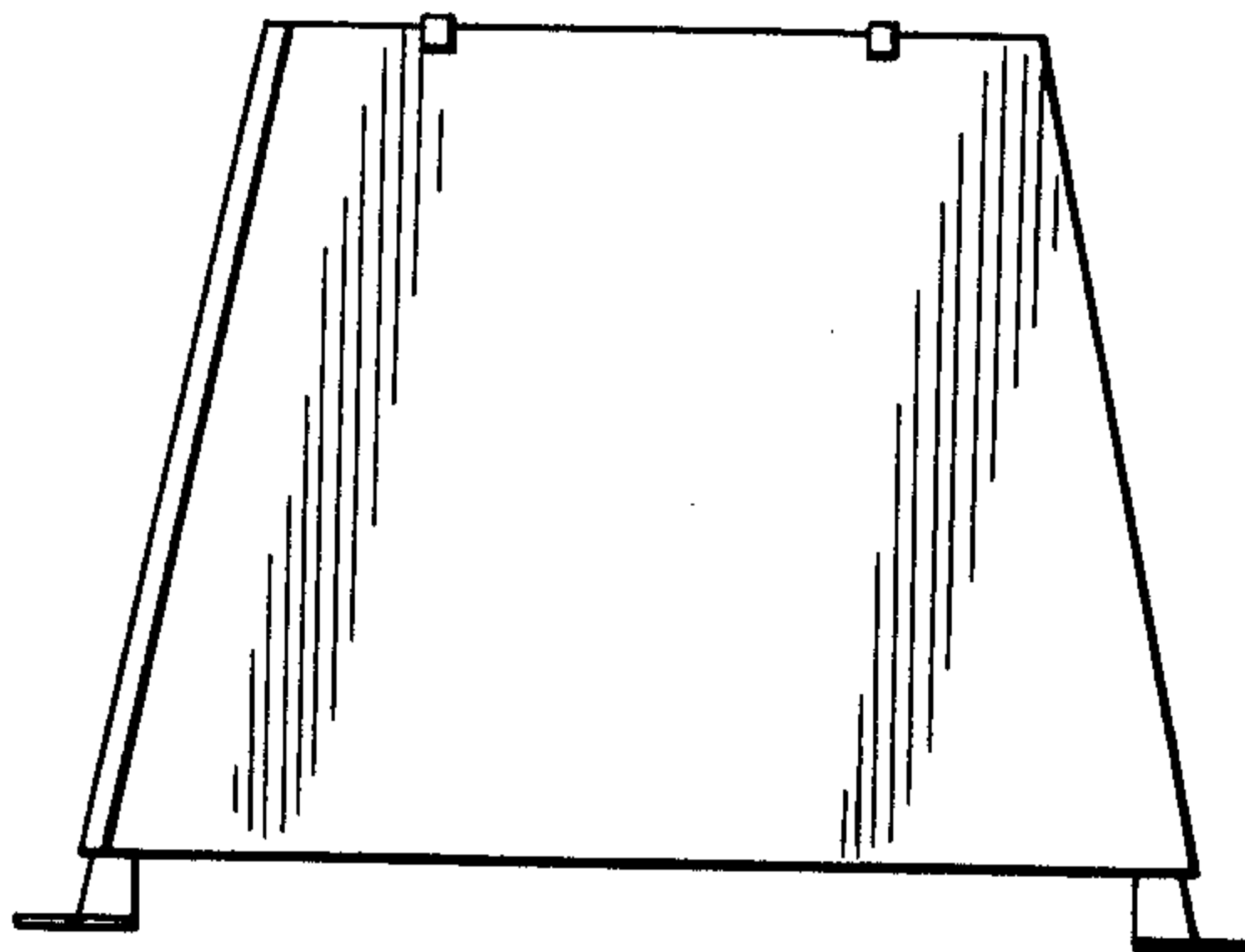


Fig. 5

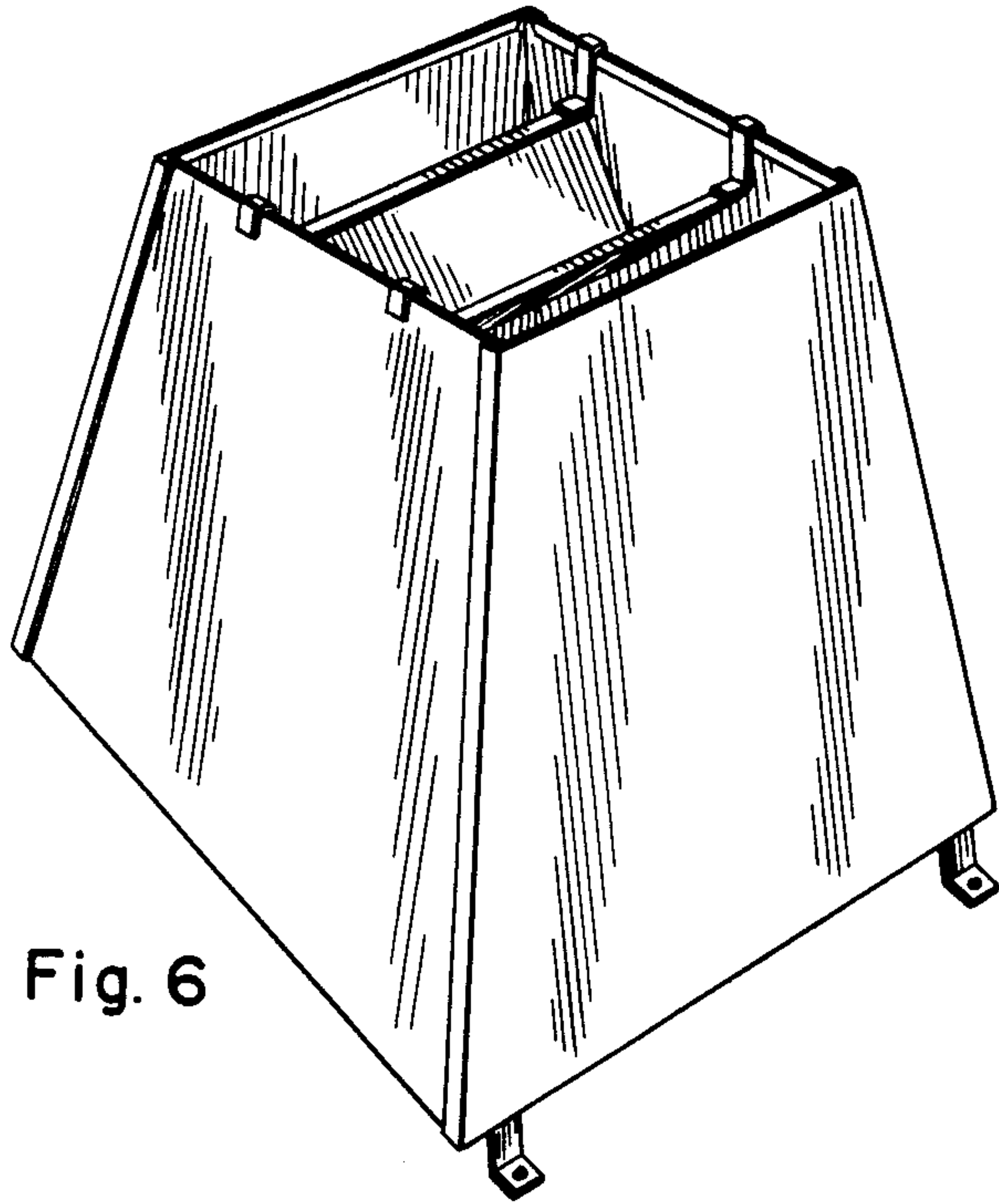


Fig. 6

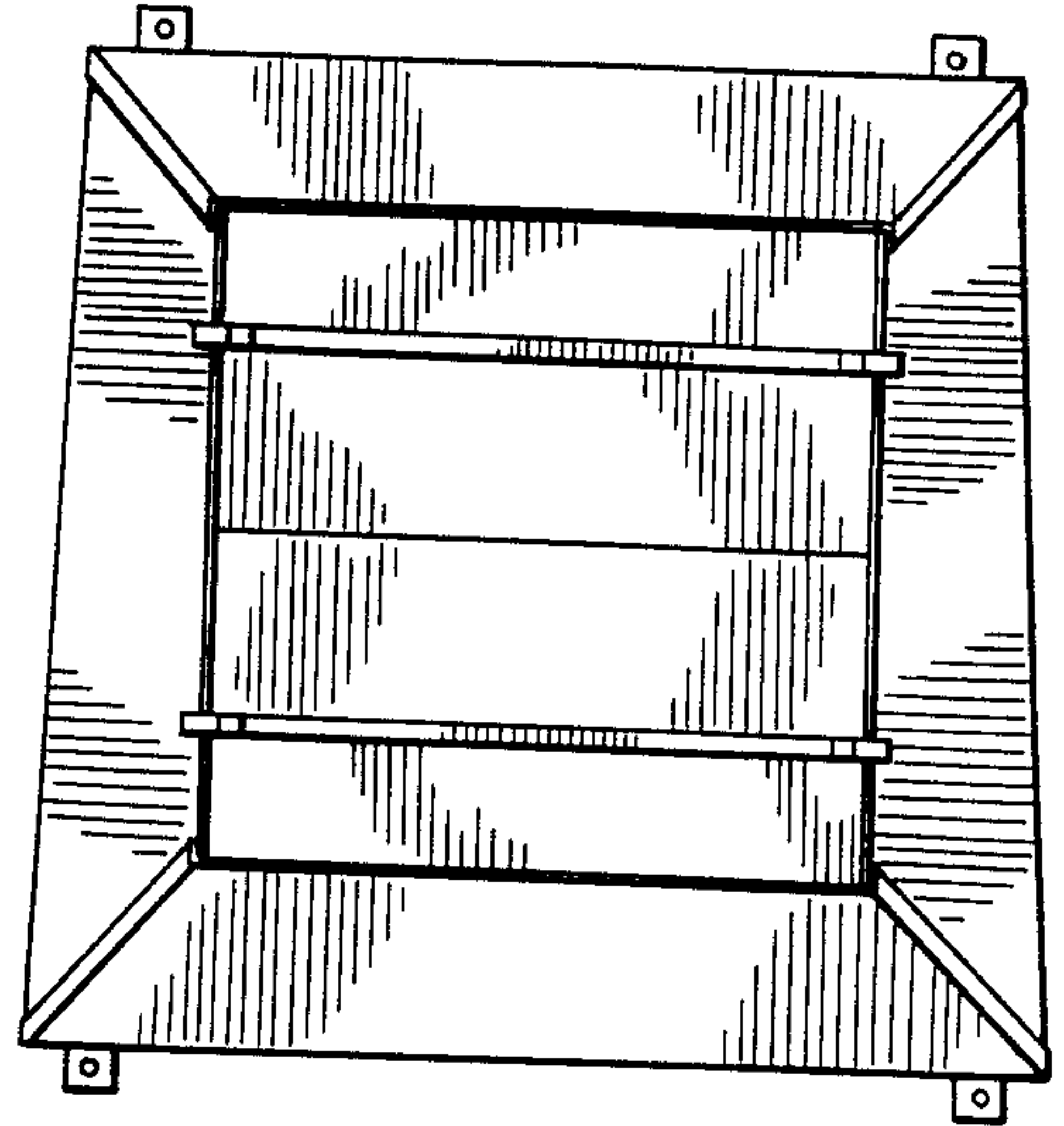


Fig. 7

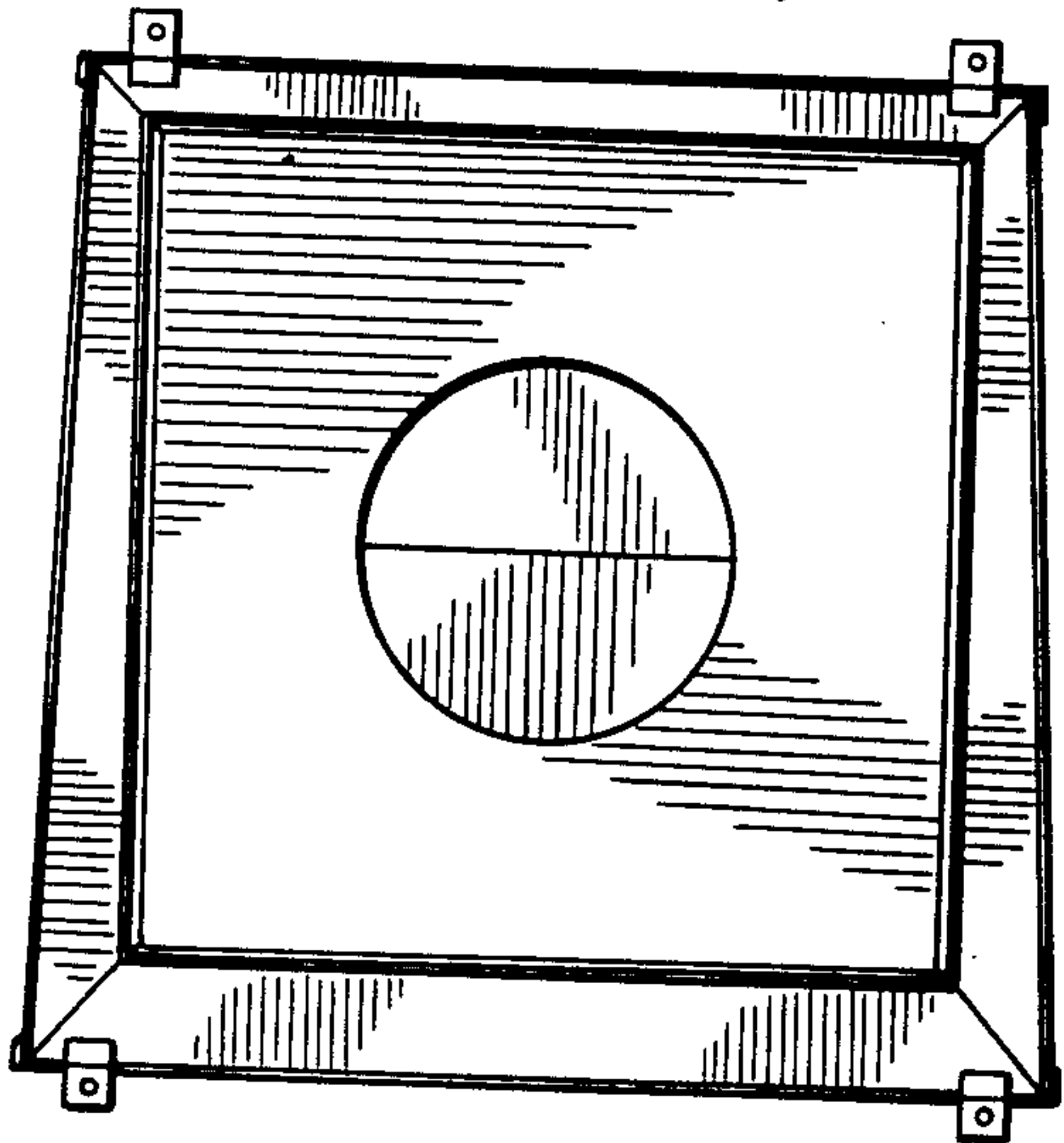


Fig. 8

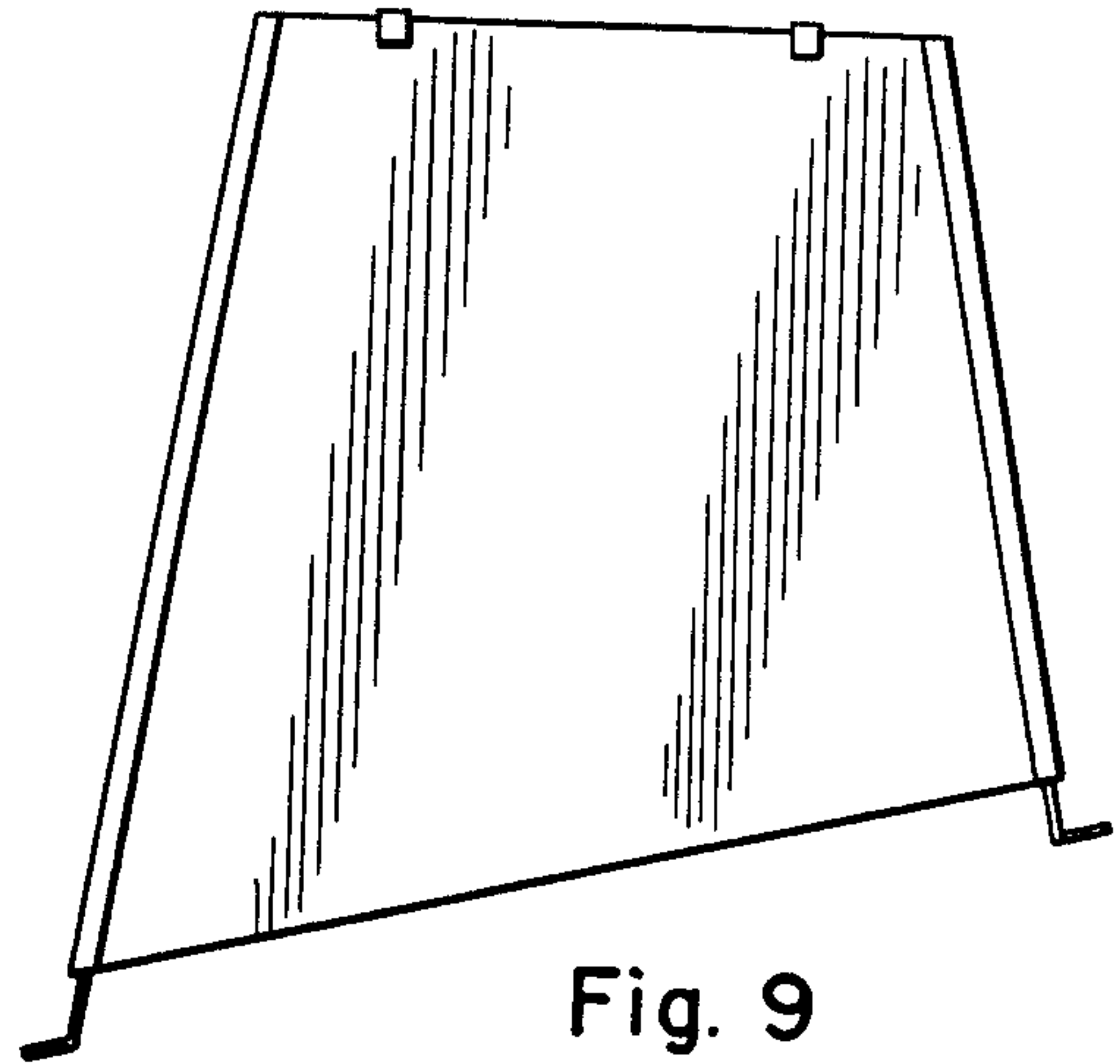


Fig. 9

Fig. 10

