

[54] CULTIVATOR TINE

[76] Inventor: Cornelis van der Lely, 7,
Bruschenrain, Zug, Switzerland

[**] Term: 14 Years

[21] Appl. No.: 659,537

[22] Filed: Feb. 19, 1976

[30] Foreign Application Priority Data
Aug. 20, 1975 Switzerland 50496/75

[51] Int. Cl. D15-03

[52] U.S. Cl. D15/29

[58] Field of Search D15/28, 29; 172/713,
172/59, 719

[56]

References Cited

U.S. PATENT DOCUMENTS

D. 237,525 11/1975 van der Lely et al. D15/29
D. 237,527 11/1975 van der Lely D15/29

Primary Examiner—Wallace R. Burke
Assistant Examiner—James M. Gandy
Attorney, Agent, or Firm—Penrose Lucas Albright

[57]

CLAIM

The ornamental design for a cultivator tine, substantially as shown.

DESCRIPTION

FIG. 1 is a side elevational view of a cultivator tine showing my new design;
FIG. 2 is a side elevational view thereof taken from the right in FIG. 1, the opposite side being a minor image of the side shown herein;
FIG. 3 is a perspective view thereof; and
FIG. 4 is a top plan view thereof.

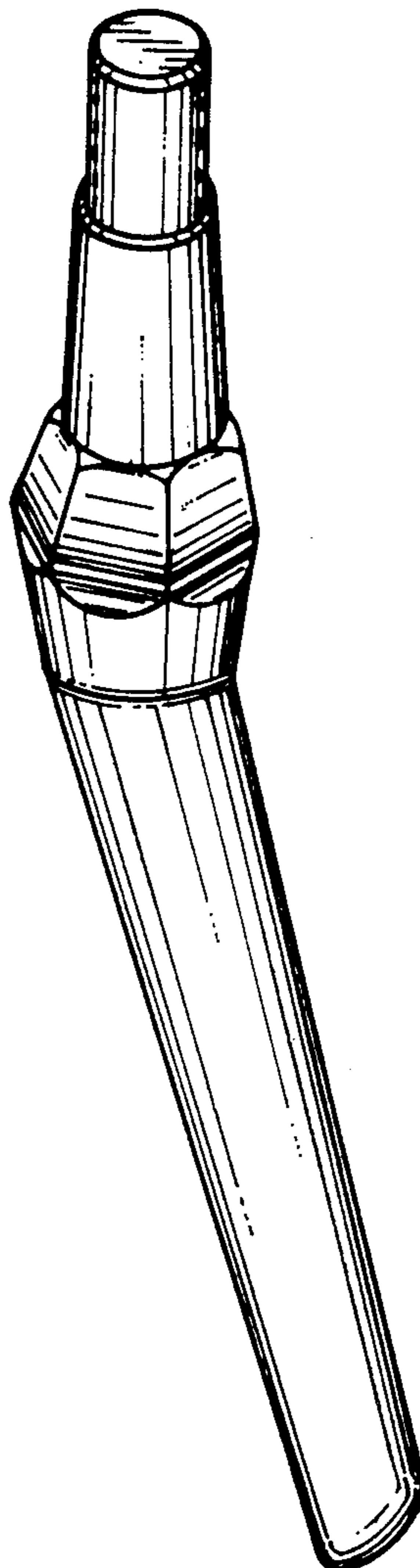


FIG. 1

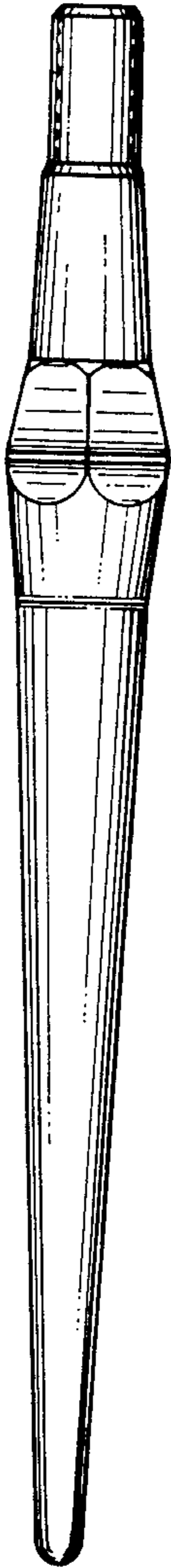


FIG. 4

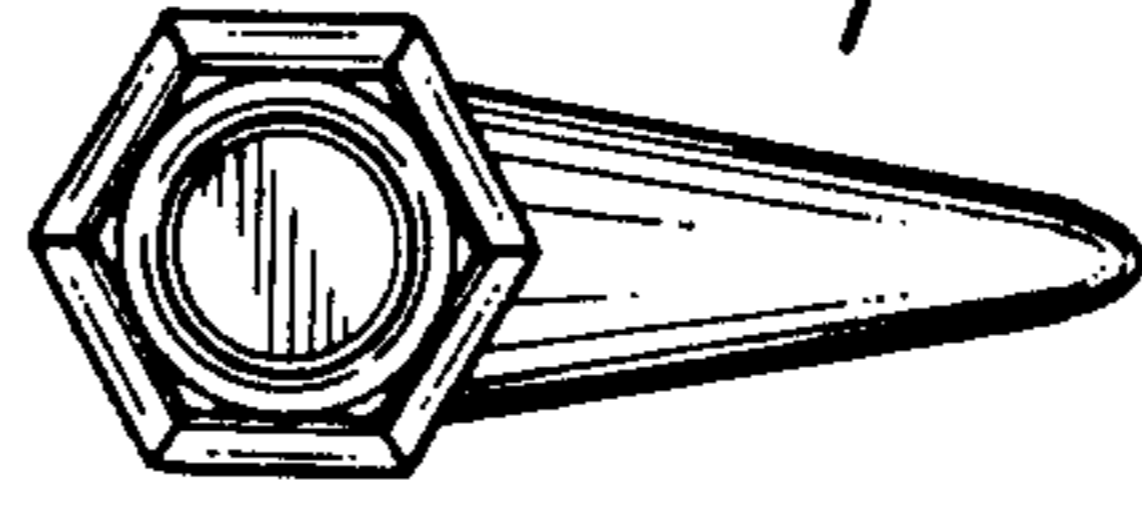


FIG. 2

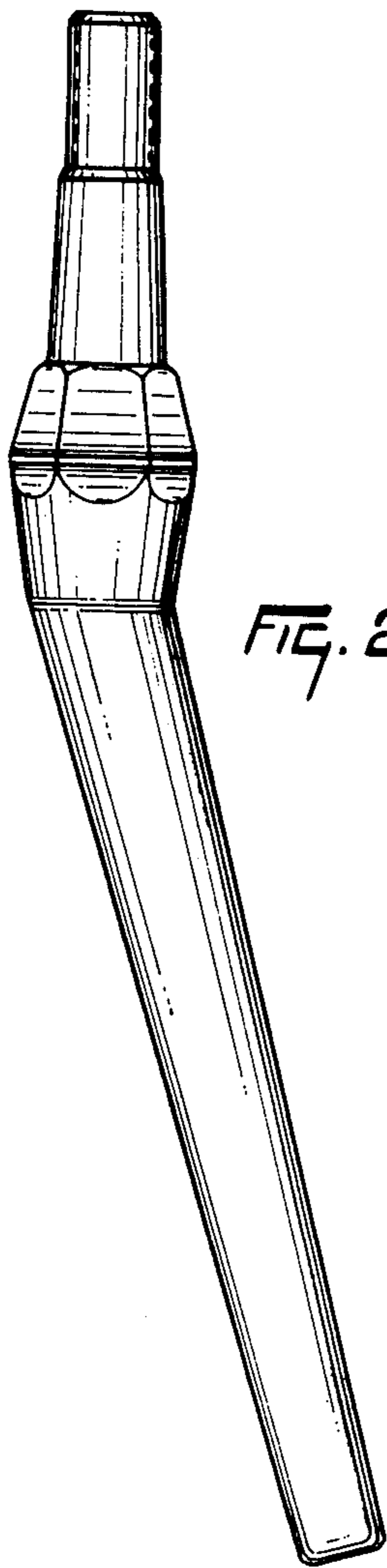


FIG. 3

