

[54] REMOTE OPERATED DRAIN FOR AN OIL PAN

[76] Inventor: **Hiroyasu Mitsui**, No. 24-9, Amanuma 1-chome, Suginami, Tokyo, Japan

[**] Term: **14 Years**

[21] Appl. No.: **649,415**

[22] Filed: **Jan. 15, 1976**

[51] Int. Cl. **D15—01**

[52] U.S. Cl. **D15/5**

[58] Field of Search D15/5, 150 F, 199; D12/155; D23/19, 20; 251/144; 184/1.5; 137/351

[56] **References Cited**

U.S. PATENT DOCUMENTS

1,995,174	3/1935	Gerrart et al.	251/144 X
2,095,696	10/1937	Hackel	184/1.5 X
2,509,426	5/1950	Fransen	184/1.5 X
2,657,705	11/1953	Gerhard et al.	137/351

3,477,459	11/1969	Schossow	137/351
3,598,361	8/1971	Crowe	251/144
3,650,352	3/1972	Schwarg	184/1.5
3,727,638	4/1973	Zaremba, Jr. et al.	184/1.5 X
3,871,483	3/1975	Espinosa et al.	184/1.5
3,954,250	5/1976	Grace	251/144
D. 51,224	9/1917	Cross et al.	D15/5

Primary Examiner—James R. Largen
Attorney, Agent, or Firm—George B. Newitt

[57] **CLAIM**

The ornamental design for a remote operated drain for an oil pan, as shown and described.

DESCRIPTION

FIG. 1 is a perspective view of a remote operated drain for an oil pan showing my new design; FIG. 2 is a front elevational view thereof; FIG. 3 is a side elevational view thereof; FIG. 4 is a rear elevational view thereof; FIG. 5 is a top plan view thereof; and FIG. 6 is a bottom plan view thereof. The connecting tube is broken away in FIGS. 1 through 4 to indicate indeterminate length.

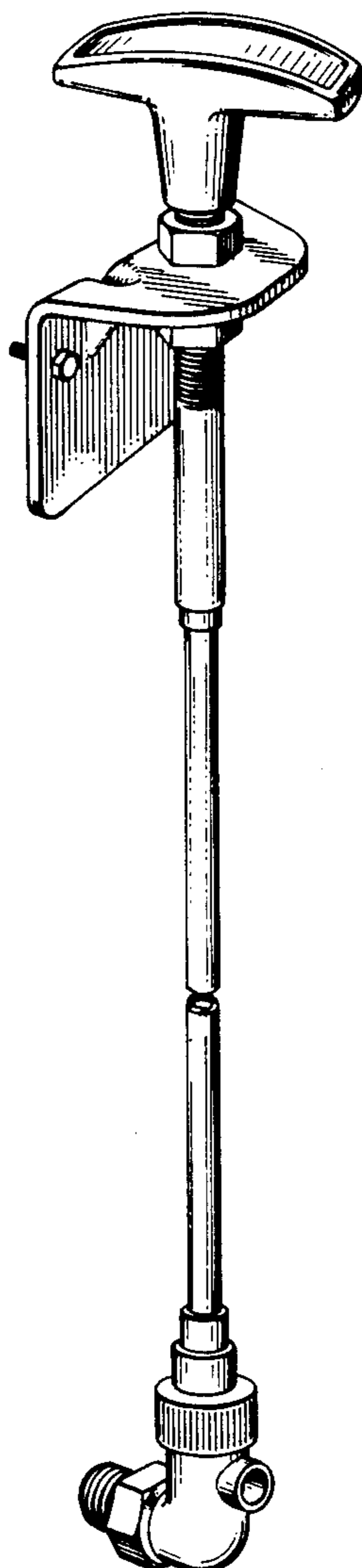


Fig. 1

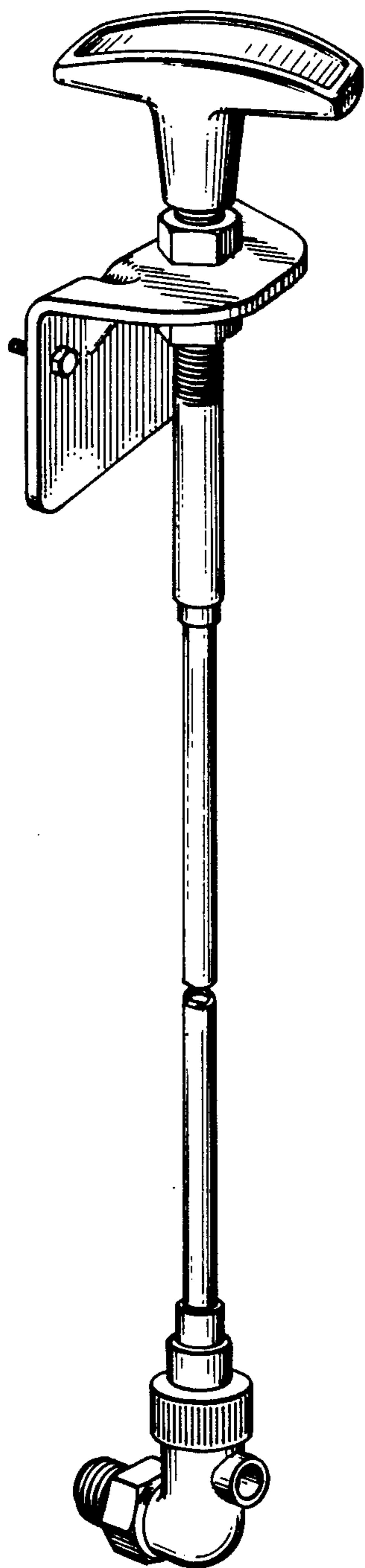


Fig. 2

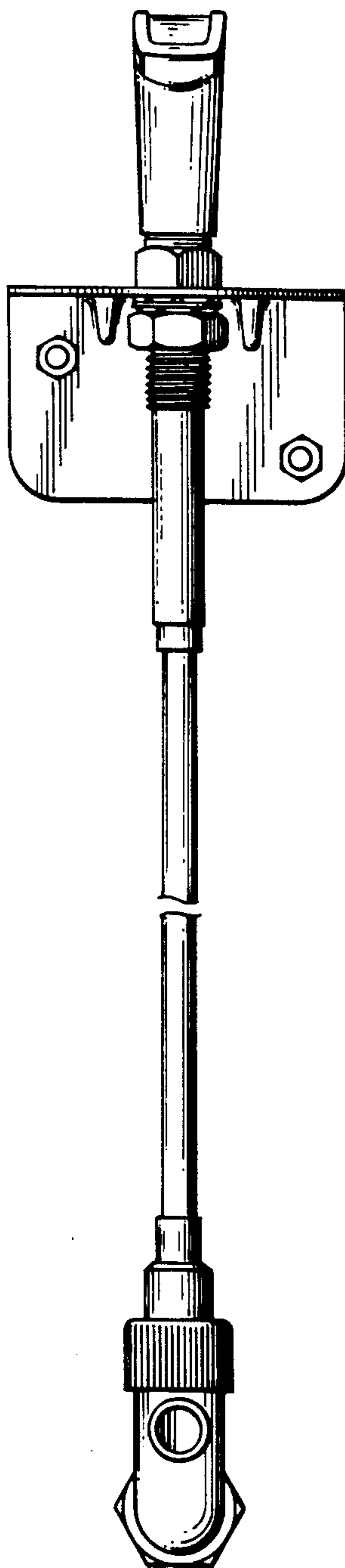


Fig. 3

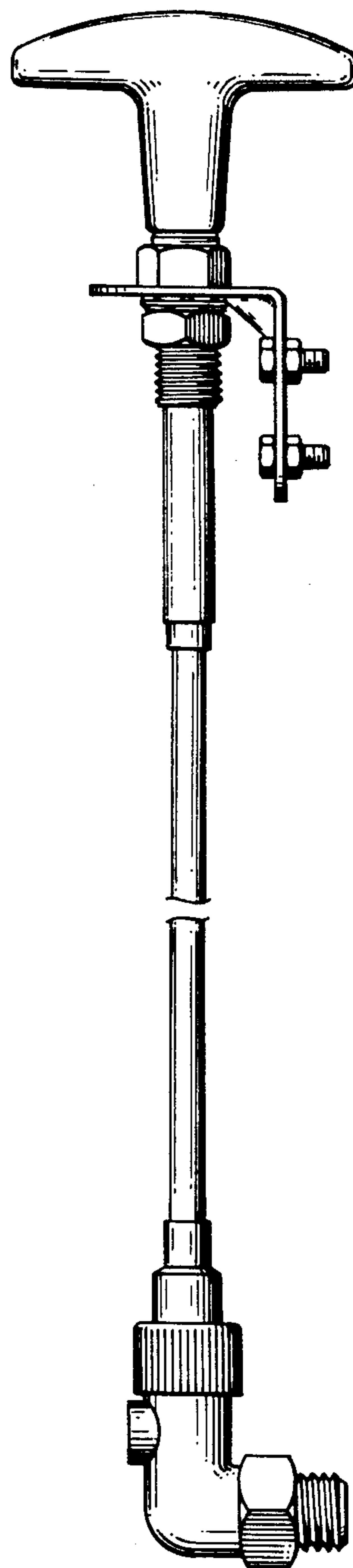


Fig. 4

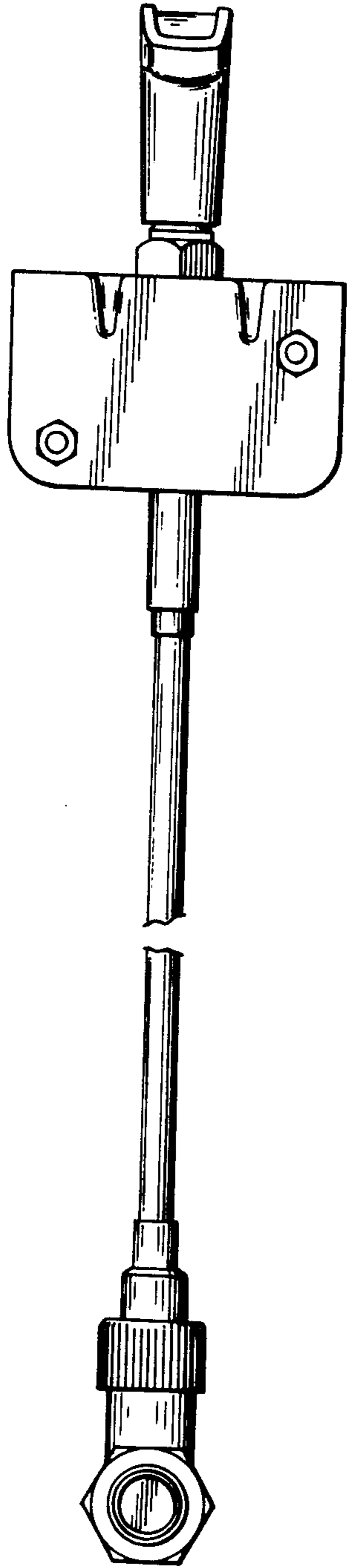


Fig. 5

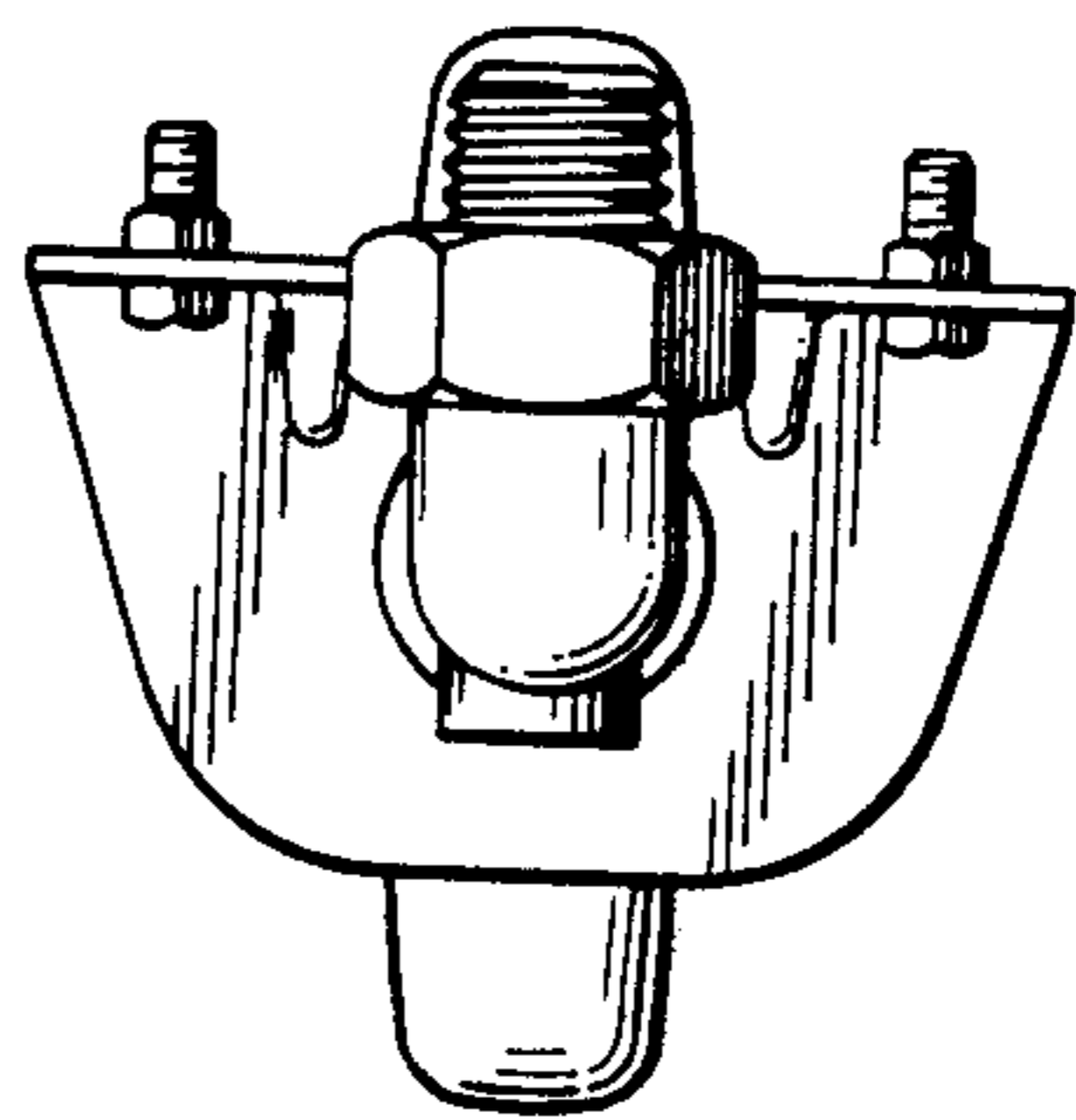
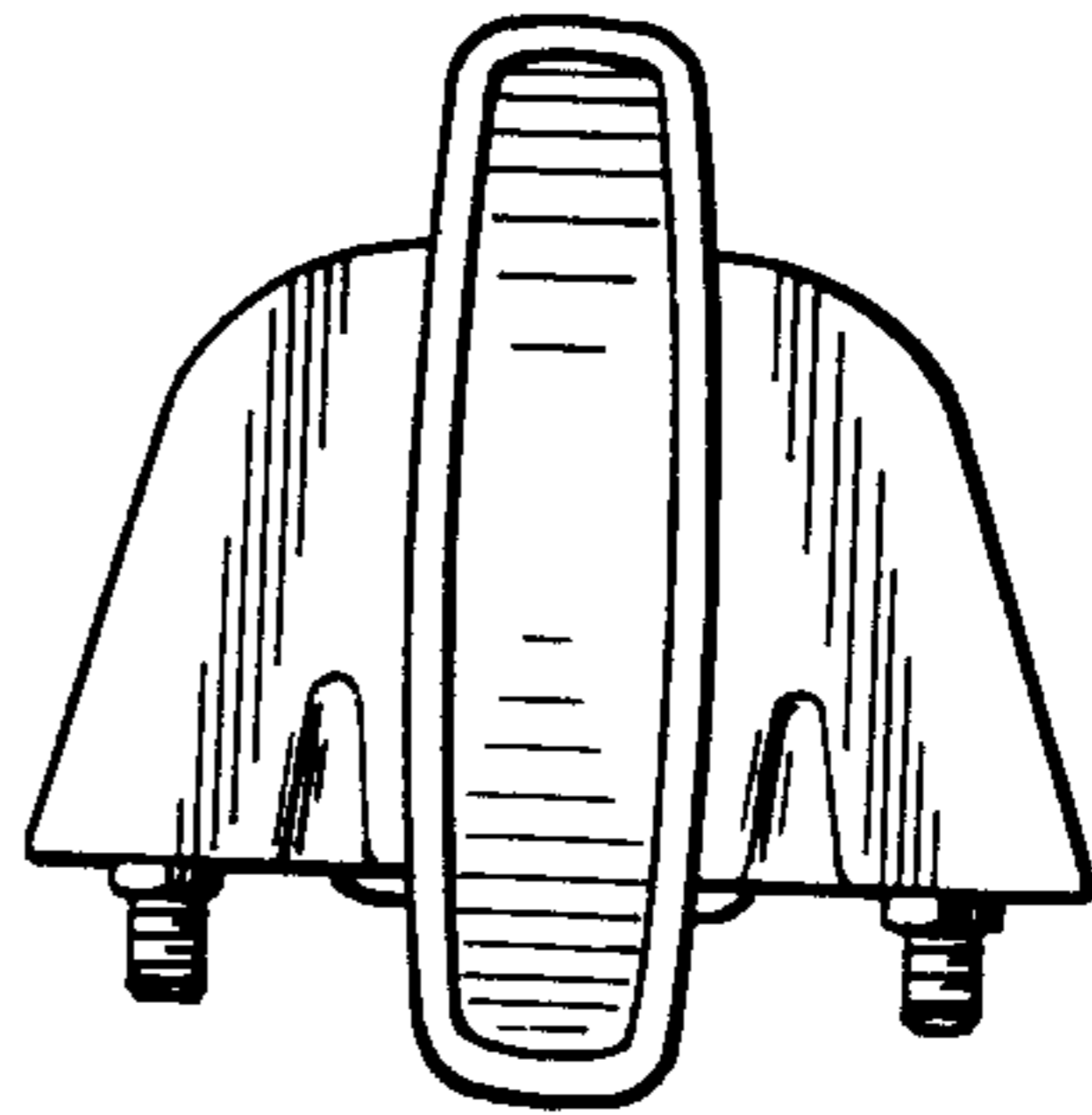


Fig. 6