

[54] VARIABLE CAPACITOR

[75] Inventors: William J. Chermak; F. Joseph Kozan; Chander M. Wahi, all of Waseca, Minn.

[73] Assignee: E. F. Johnson Company, Waseca, Minn.

[**] Term: 14 Years

[21] Appl. No.: 778,781

[22] Filed: Mar. 15, 1977

[51] Int. Cl. D13-02

[52] U.S. Cl. D13/21

[58] Field of Search D13/12, 21, 99; 361/298, 299

[56] References Cited

U.S. PATENT DOCUMENTS

3,612,962 10/1971 Takeda 361/299
D. 216,797 3/1970 Bowen et al. D13/21

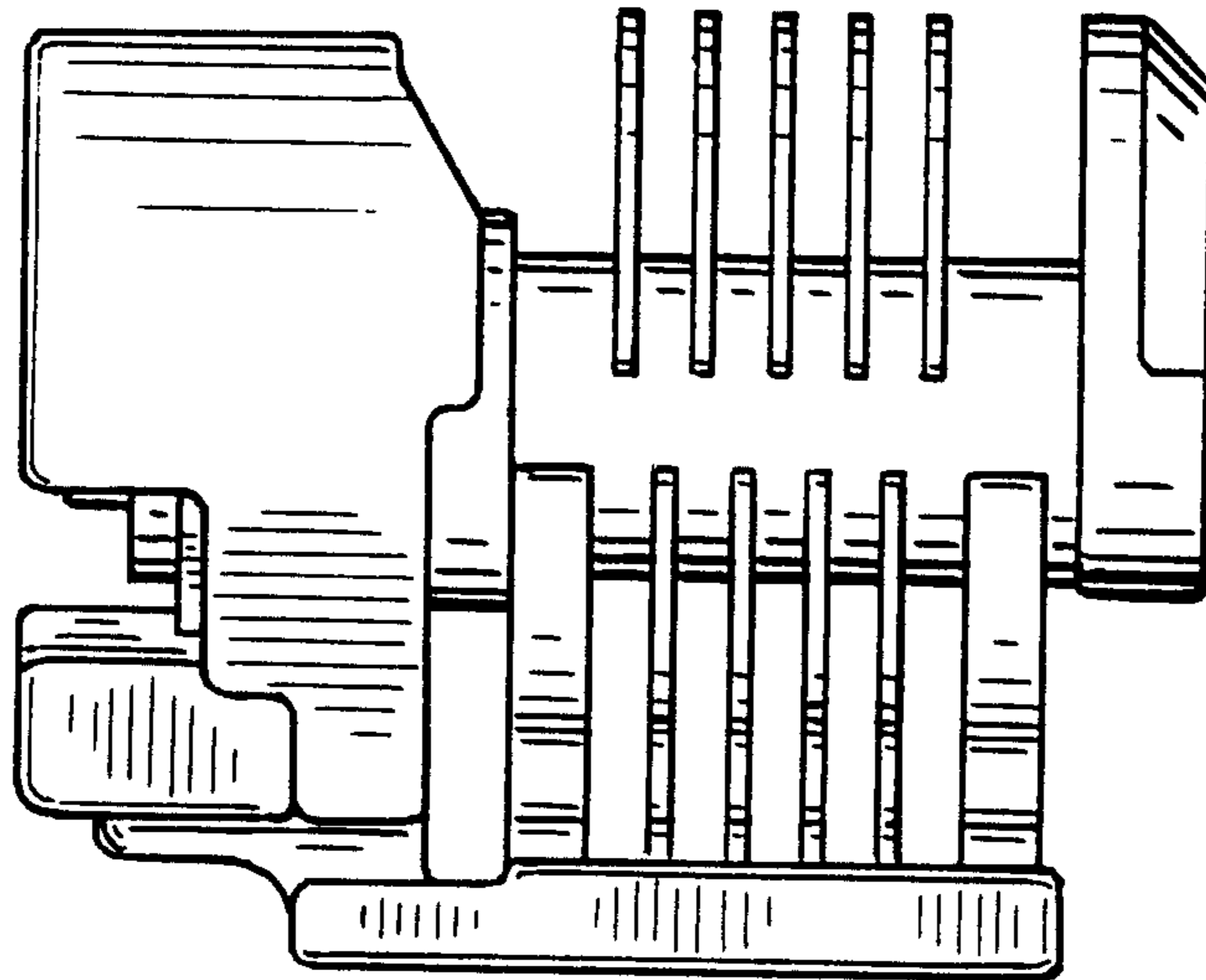
Primary Examiner—Susan J. Lucas
Attorney, Agent, or Firm—Hugh D. Jaeger

[57] CLAIM

The ornamental design for a variable capacitor, as shown.

DESCRIPTION

FIG. 1 is a top view illustrating the variable capacitor; FIG. 2 is a front view of the invention; FIG. 3 is a side view of the invention; FIG. 4 is a bottom view of the invention; and FIG. 5 is an end view of the invention.



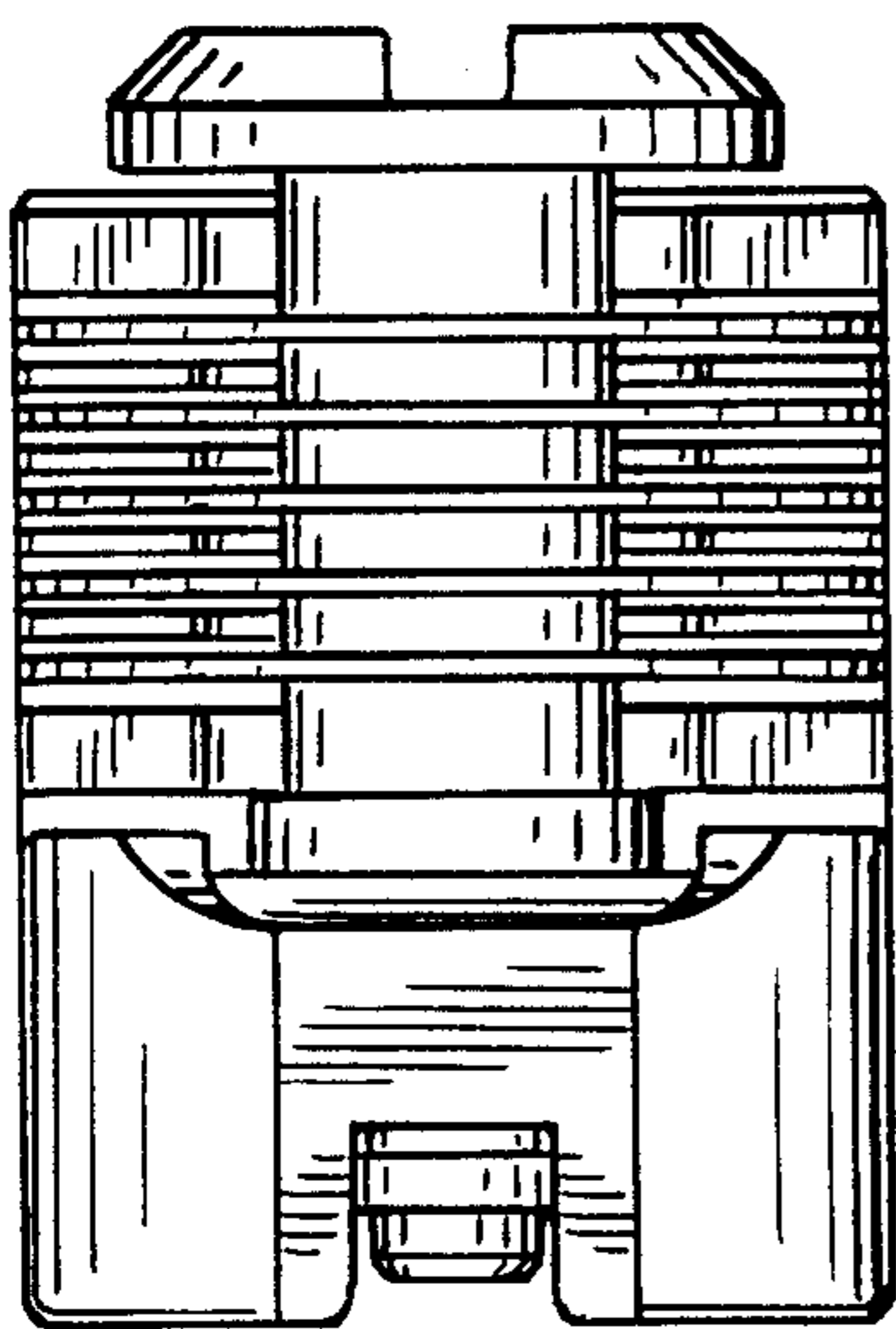


FIG. 1

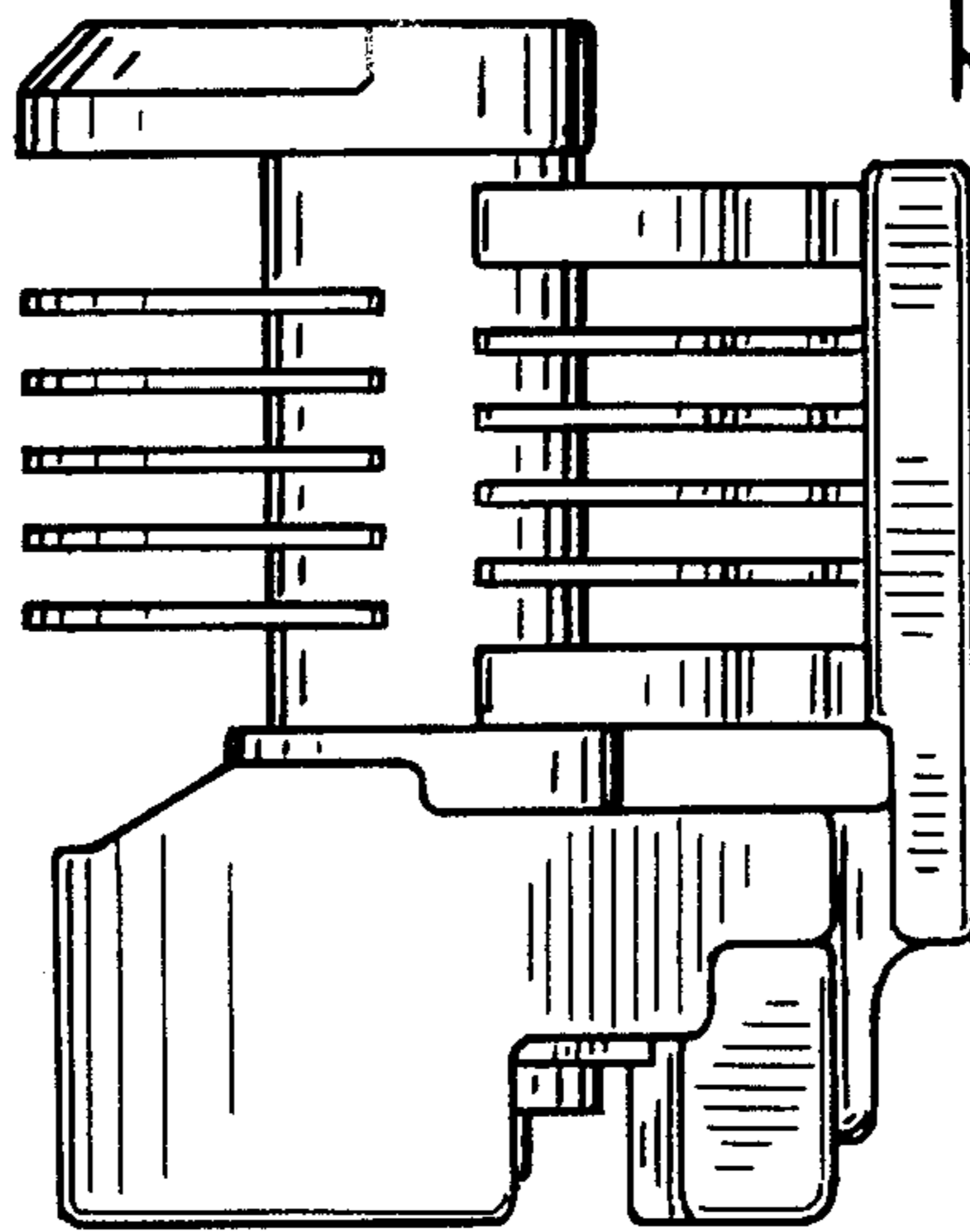


FIG. 2

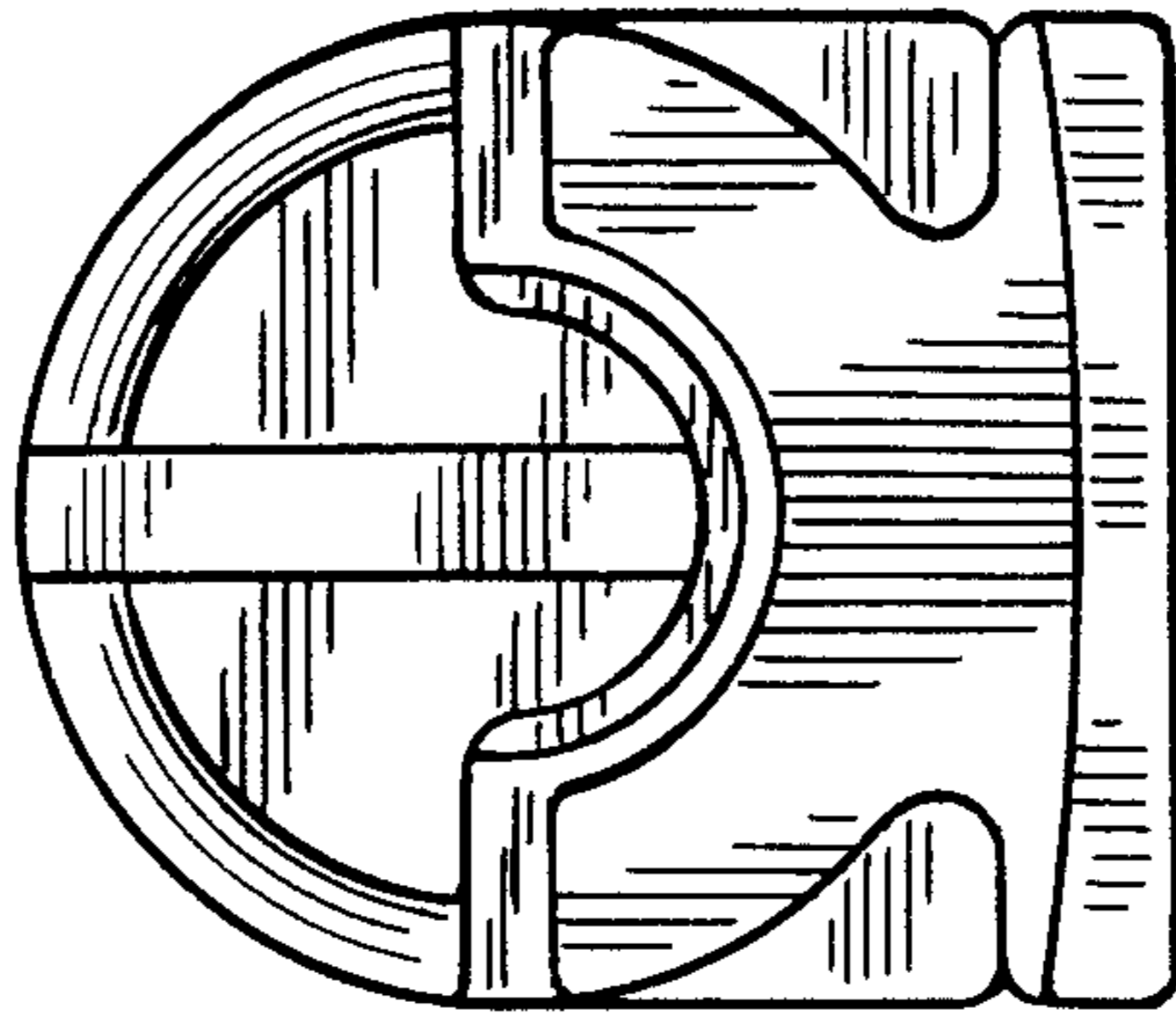


FIG. 3

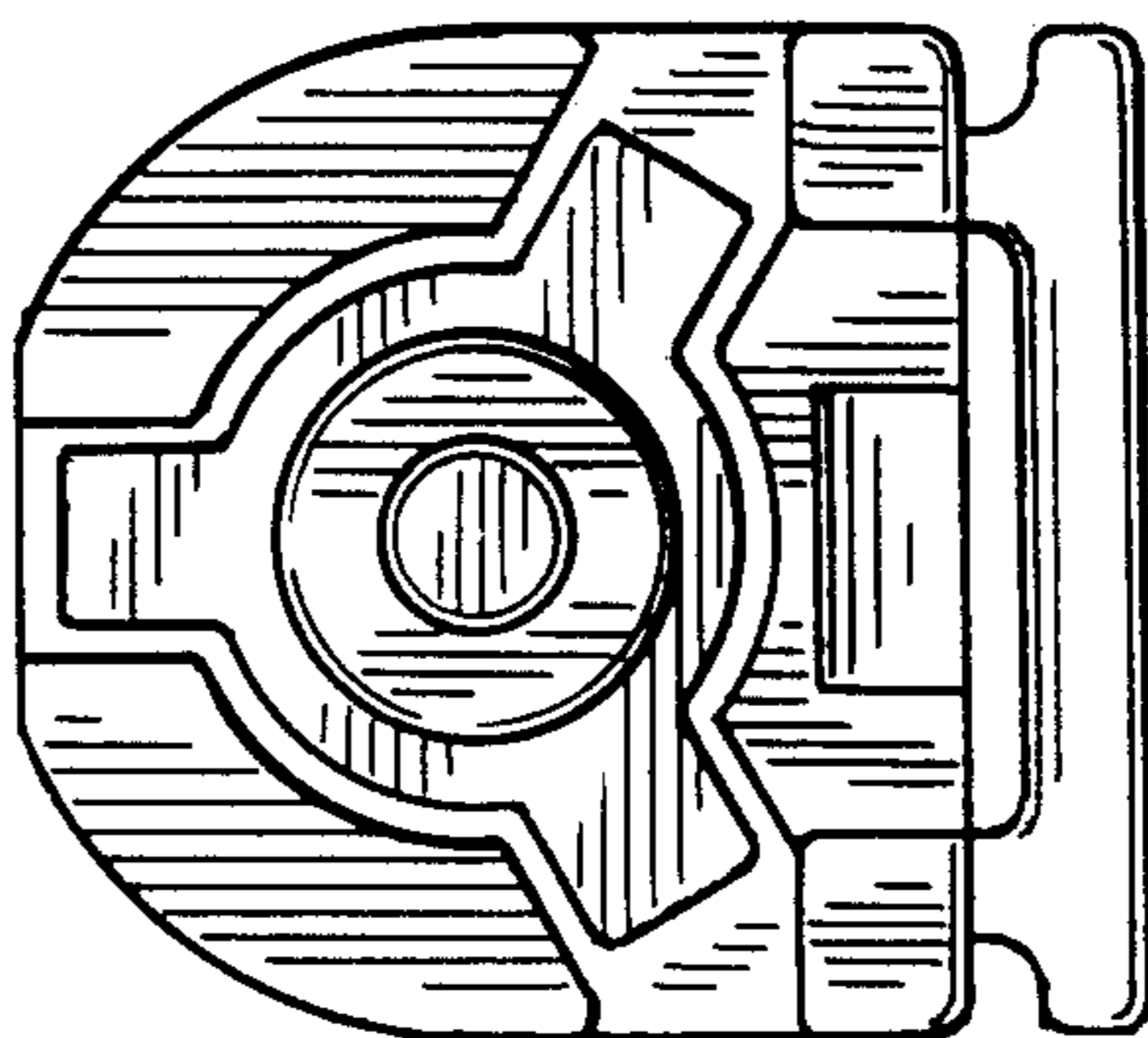


FIG. 4

FIG. 5

