

[54] BACK PACK SIGNAL LIGHT UNIT

[76] Inventor: Bruce Wayne Inman, 469 Vernon Way, El Cajon, Calif. 92020

[**] Term: 7 Years

[21] Appl. No.: 673,620

[22] Filed: Apr. 5, 1976

[51] Int. Cl. D10-06; D03-99

[52] U.S. Cl. D10/114

[58] Field of Search D10/114, 109, 111; D87/1 R, 1 A; 240/59; 340/81, 84, 134, 321

[56] References Cited

U.S. PATENT DOCUMENTS

- 3,696,334 10/1972 Demeter 340/84
- 3,720,918 3/1973 Perl 340/134 X

- 3,840,853 10/1974 Cukale 340/321 X
- D. 232,869 9/1974 Yoshimura D10/111 X

FOREIGN PATENT DOCUMENTS

- 608,272 1/1935 Germany 340/321

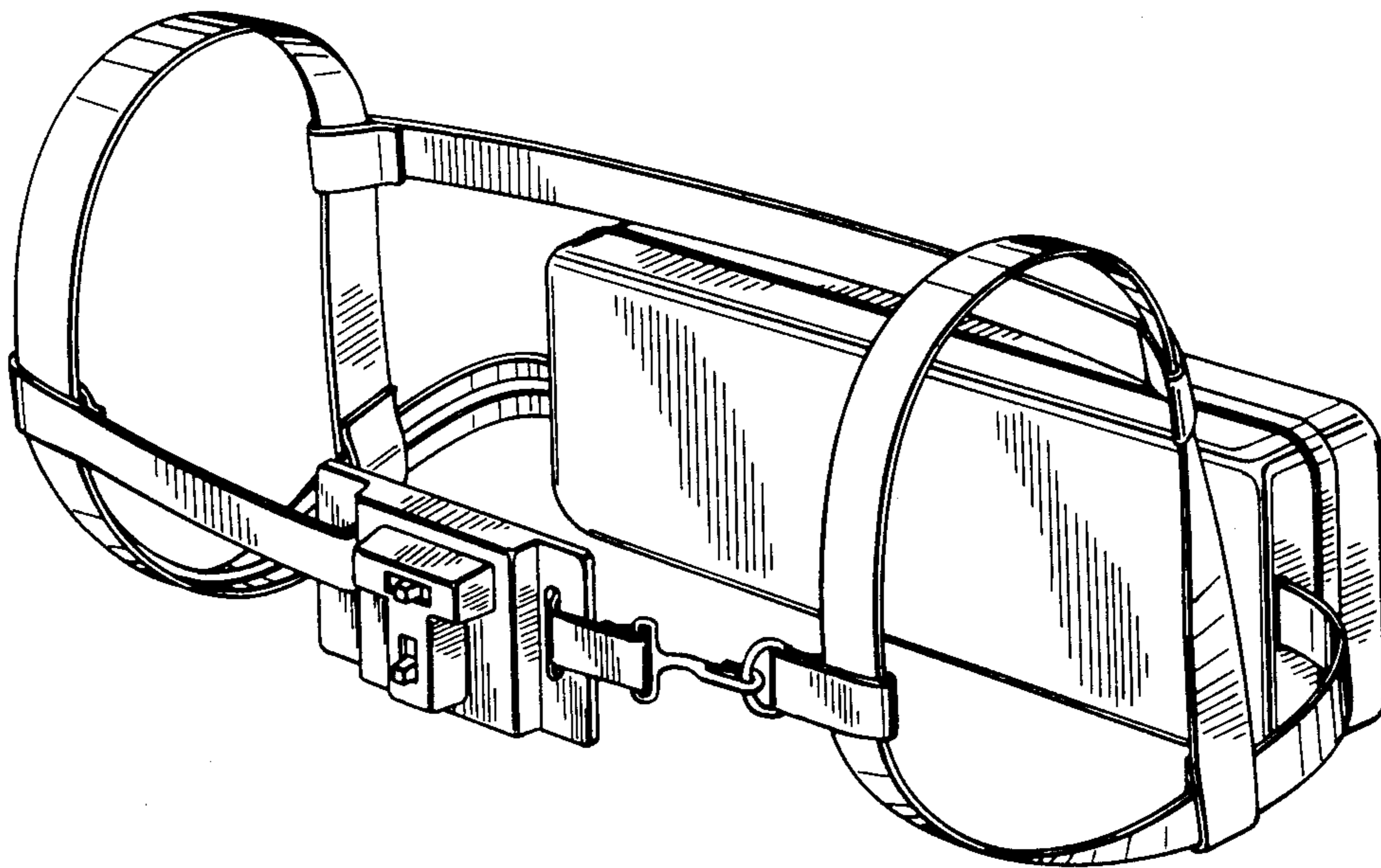
Primary Examiner—Susan J. Lucas
Attorney, Agent, or Firm—Carl R. Brown

[57] CLAIM

The ornamental design for a back pack signal light unit, substantially as shown and described.

DESCRIPTION

FIG. 1 is a perspective view of a back pack signal light unit, showing my new design;
FIG. 2 is an end elevational view thereof, as taken from the left hand end of FIG. 1;
FIG. 3 is an underside view thereof; and
FIG. 4 is a rear elevational view thereof.



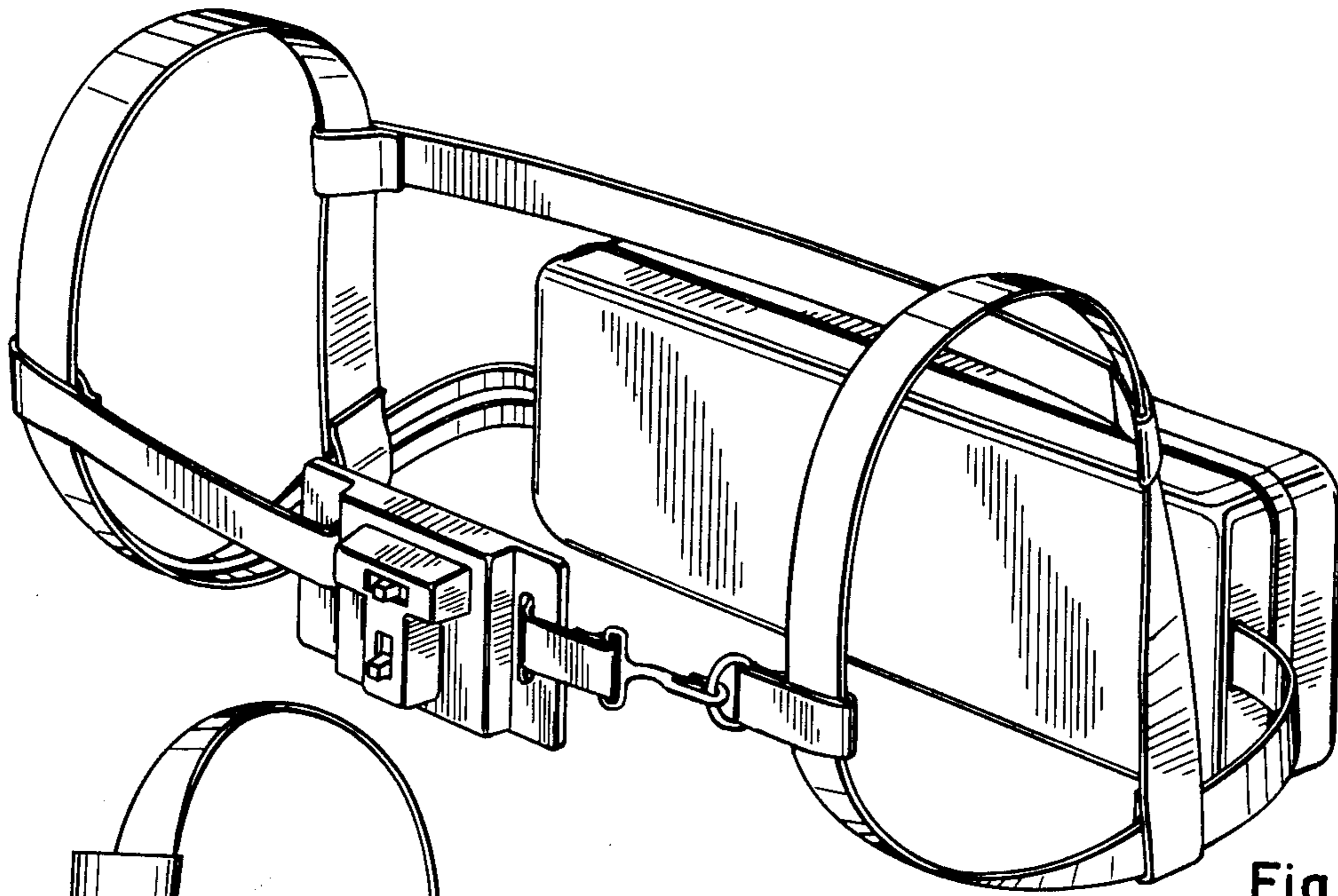


Fig. 1

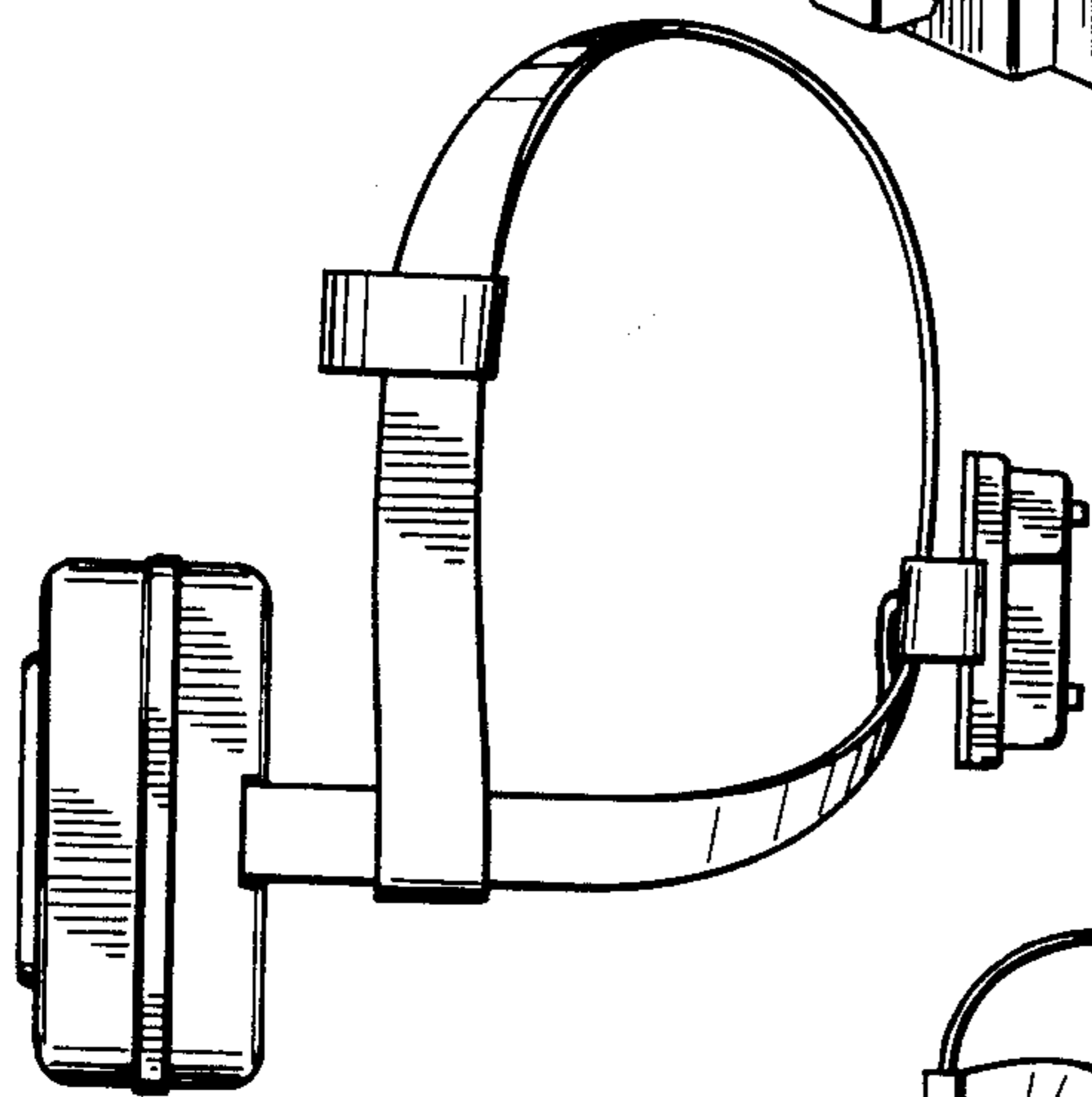


Fig. 2

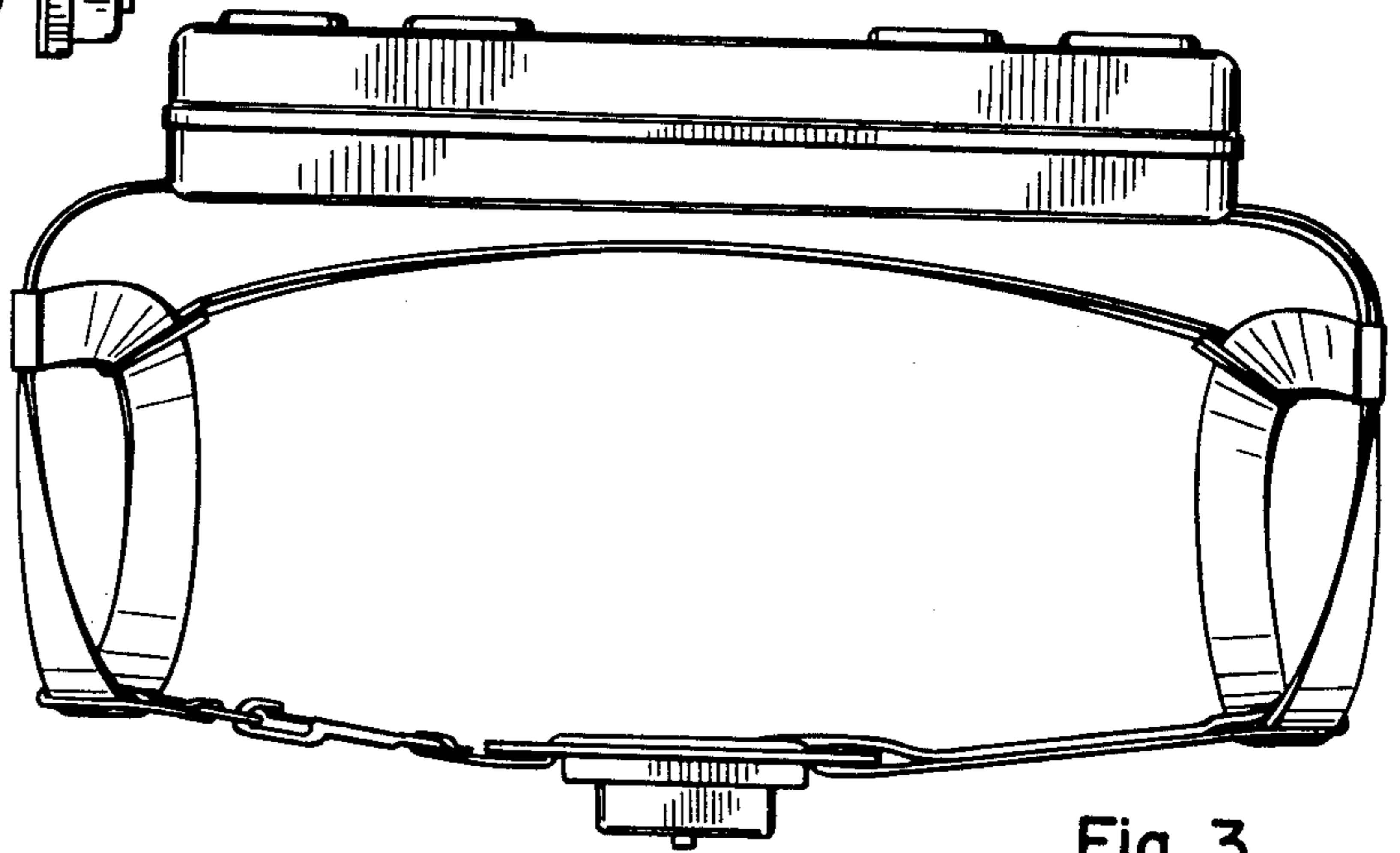


Fig. 3

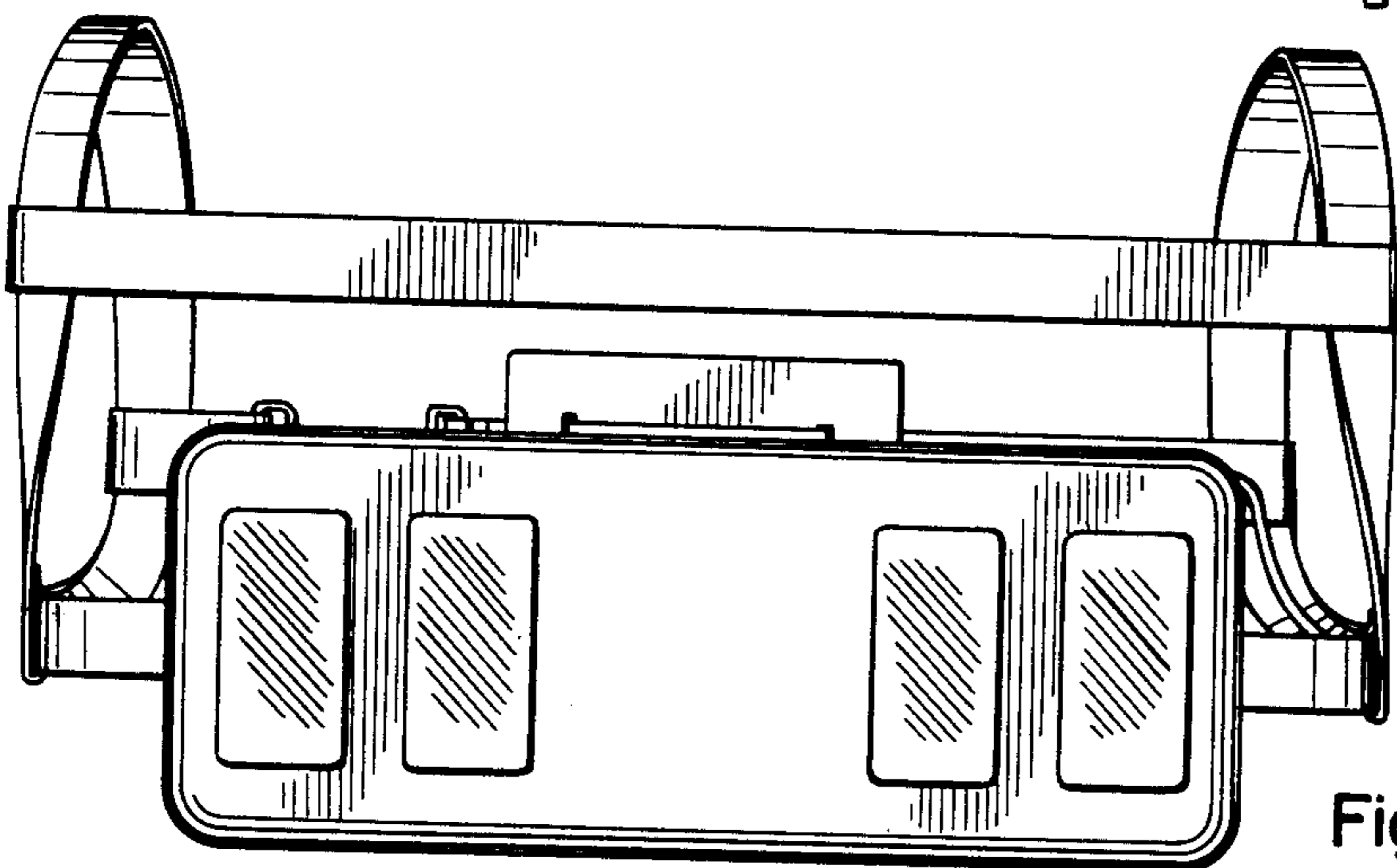


Fig. 4