

[54] PORTABLE ELECTRONIC MULTIMETER

[75] Inventor: Donald P. Aupperle, Loveland, Colo.

[73] Assignee: Hewlett-Packard Company, Palo Alto, Calif.

[\*\*] Term: 14 Years

[21] Appl. No.: 681,315

[22] Filed: Apr. 29, 1976

[51] Int. Cl. .... D10-04

[52] U.S. Cl. .... D10/78

[58] Field of Search .... D10/46-47, D10/75-80, 57, 60, 102, 103; 324/72.5, 156, 149, 115, 73 R

[56]

References Cited

U.S. PATENT DOCUMENTS

D. 208,193	8/1967	Lang .....	D10/46
D. 212,187	9/1968	Pignolet .....	D10/78
D. 213,781	4/1969	Dunlop .....	D10/75
D. 221,381	8/1971	Kuramoto .....	D10/75
D. 229,186	11/1973	Brown .....	D10/75

Primary Examiner—Nelson C. Holtje  
Attorney, Agent, or Firm—William E. Hein

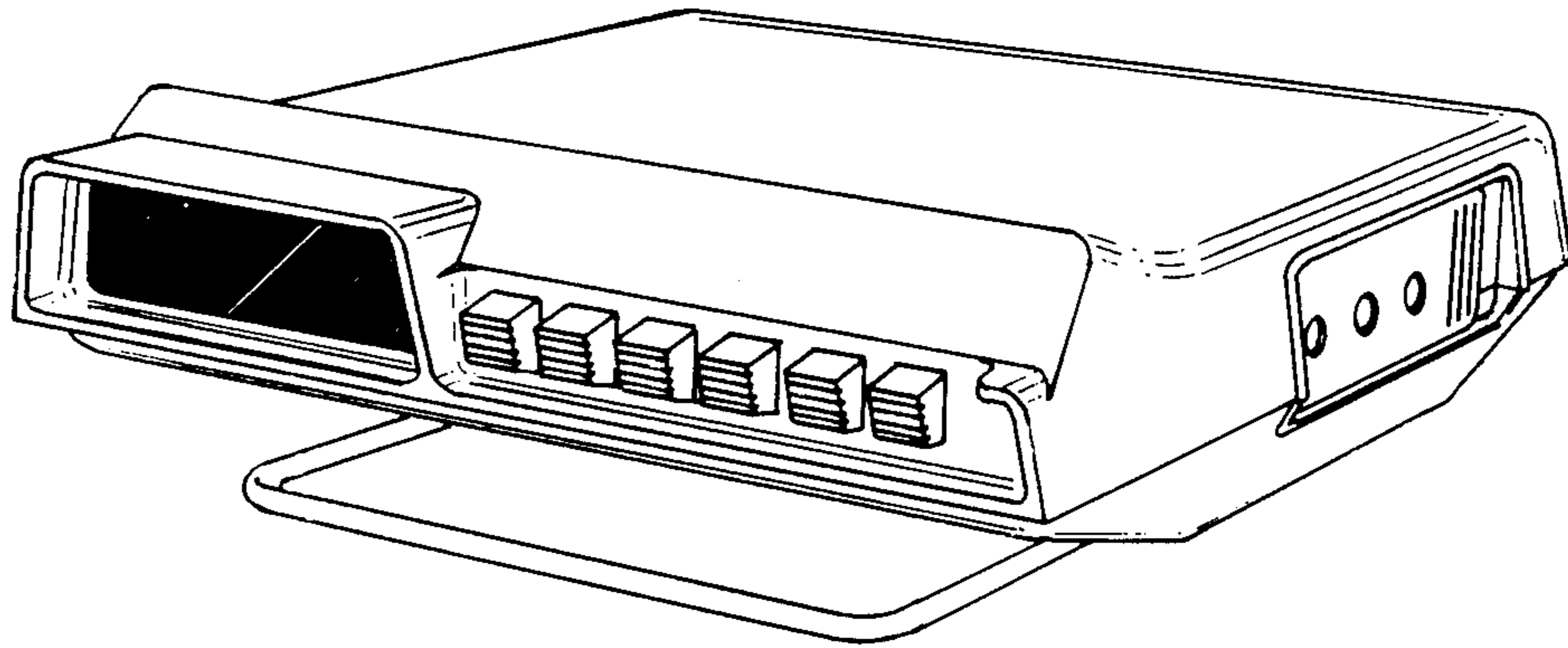
[57]

CLAIM

The ornamental design for a portable electronic multi-meter, as shown.

DESCRIPTION

FIG. 1 is a right front perspective view of an portable electronic multimeter showing my new design;  
FIG. 2 is a front elevational view thereof;  
FIG. 3 is a top plan view thereof, the bottom being plain and unornamented;  
FIG. 4 is a left side elevational view thereof.



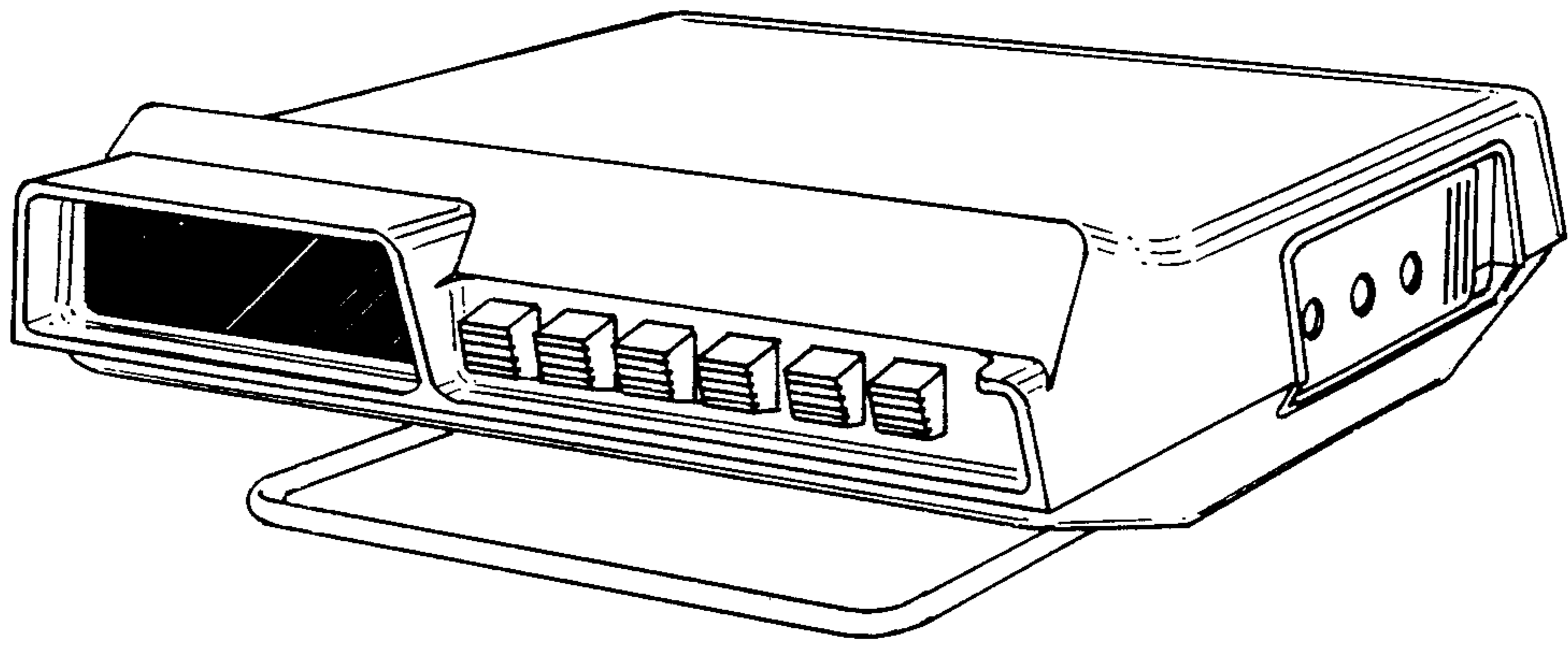


FIG 1

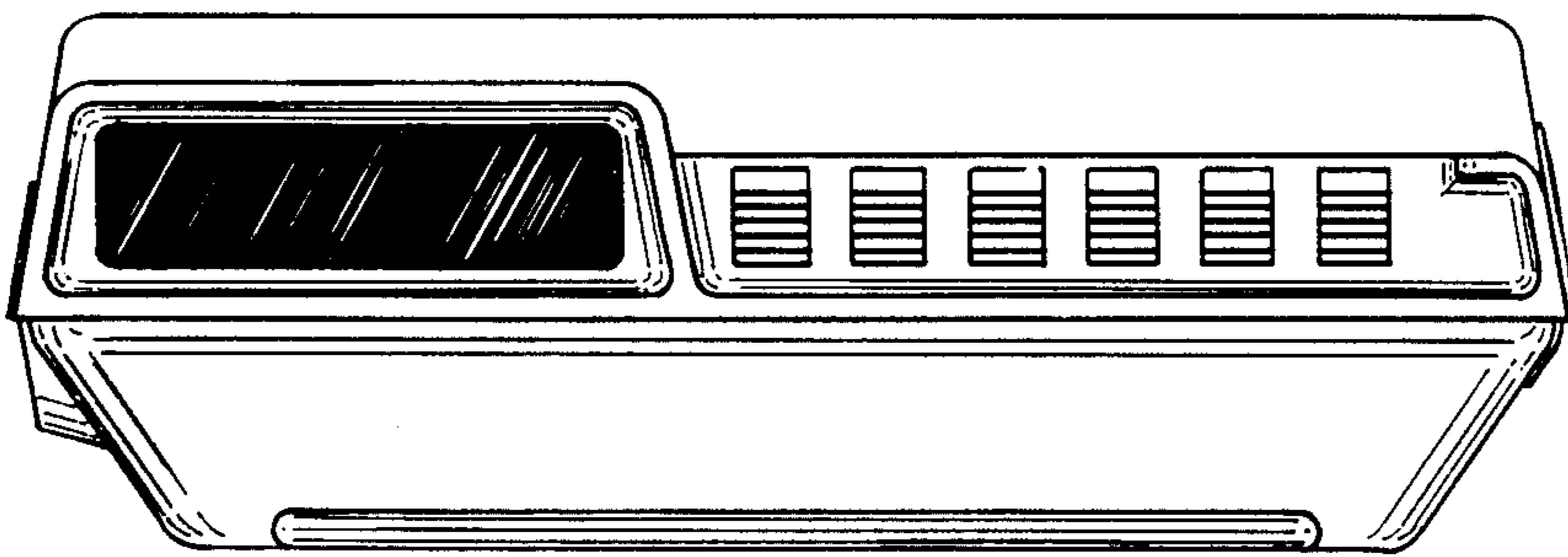


FIG 2

FIG 3

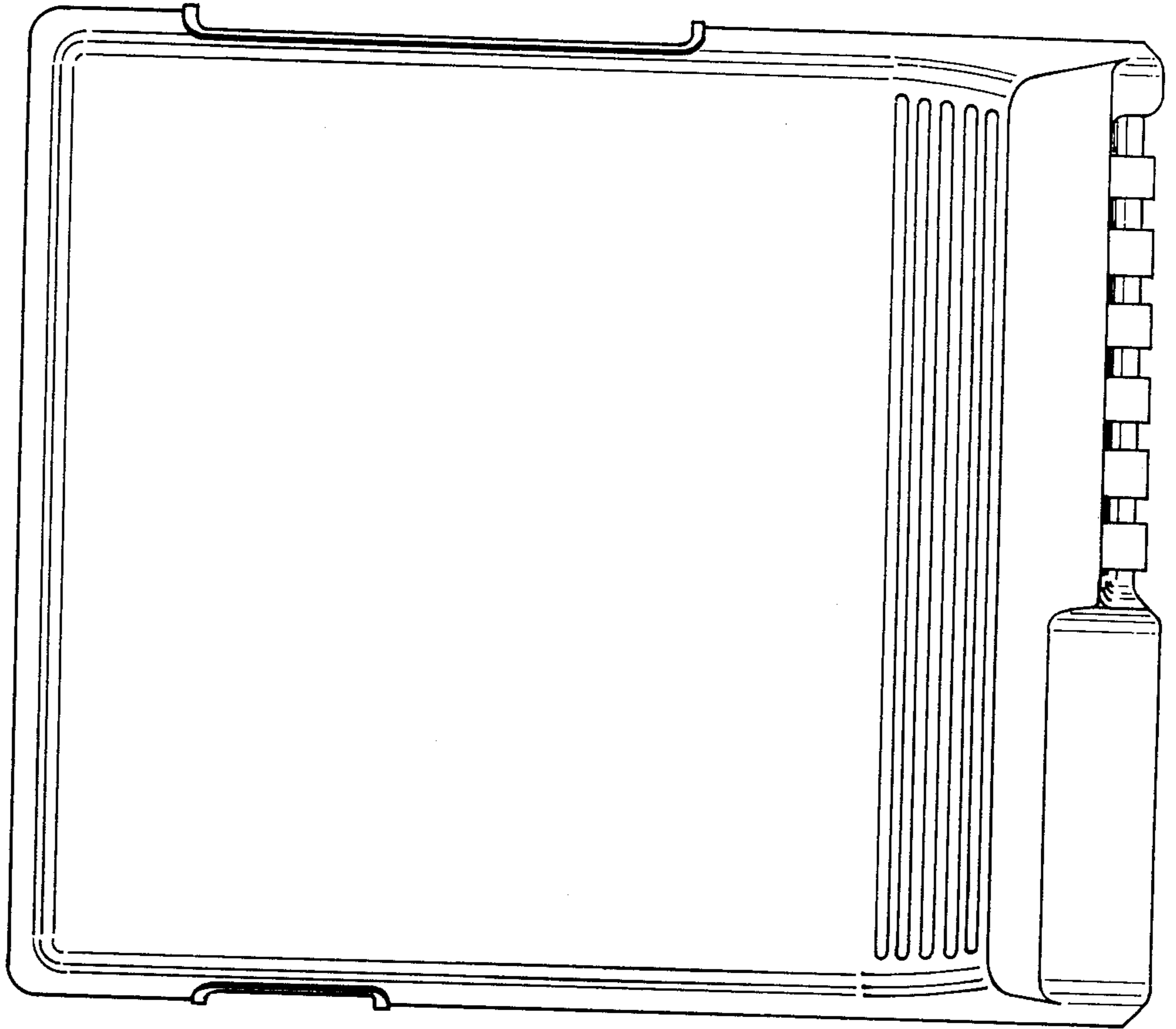


FIG 4

