

[54] DISPLAY CARTON

[75] Inventor: Wallace E. Hanson, Hampden, Mass.

[73] Assignee: Champion International Corporation, Stamford, Conn.

[\*\*] Term: 14 Years

[21] Appl. No.: 630,295

[22] Filed: Nov. 10, 1975

[51] Int. Cl. .... D9-03

[52] U.S. Cl. .... D9/224

[58] Field of Search ..... 206/45.14, 45.31, 45.33, 206/45.34, 521, 491, 315 B; 229/16 D, 44 R; D9/224, 193

[56] References Cited

U.S. PATENT DOCUMENTS

3,493,103	2/1970	Cote	206/45.14
3,517,801	6/1970	Cote	206/45.14
D. 230,572	3/1974	D'Alessio	D9/224

D. 231,201 4/1974 Bonfitto ..... D9/224

Primary Examiner—Robert C. Spangler  
Attorney, Agent, or Firm—Evelyn M. Sommer

[57] CLAIM

The ornamental design for a display carton, as shown.

DESCRIPTION

FIG. 1 is a front perspective view of a display carton showing my new design.

FIG. 2 is a top plan view,

FIG. 3 is a front elevational view,

FIG. 4 is a bottom plan view,

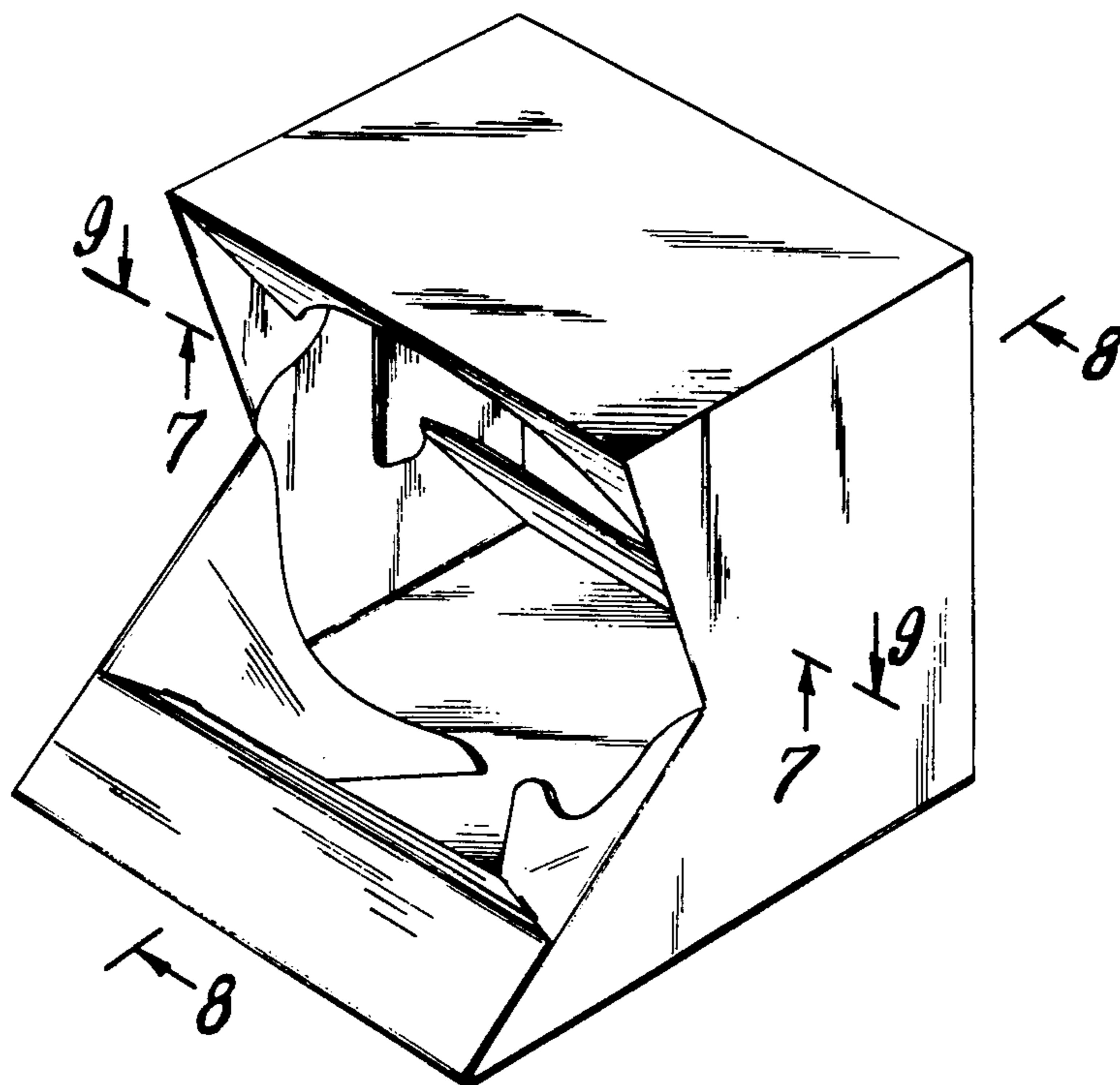
FIG. 5 is an elevational view looking from the right of FIG. 3,

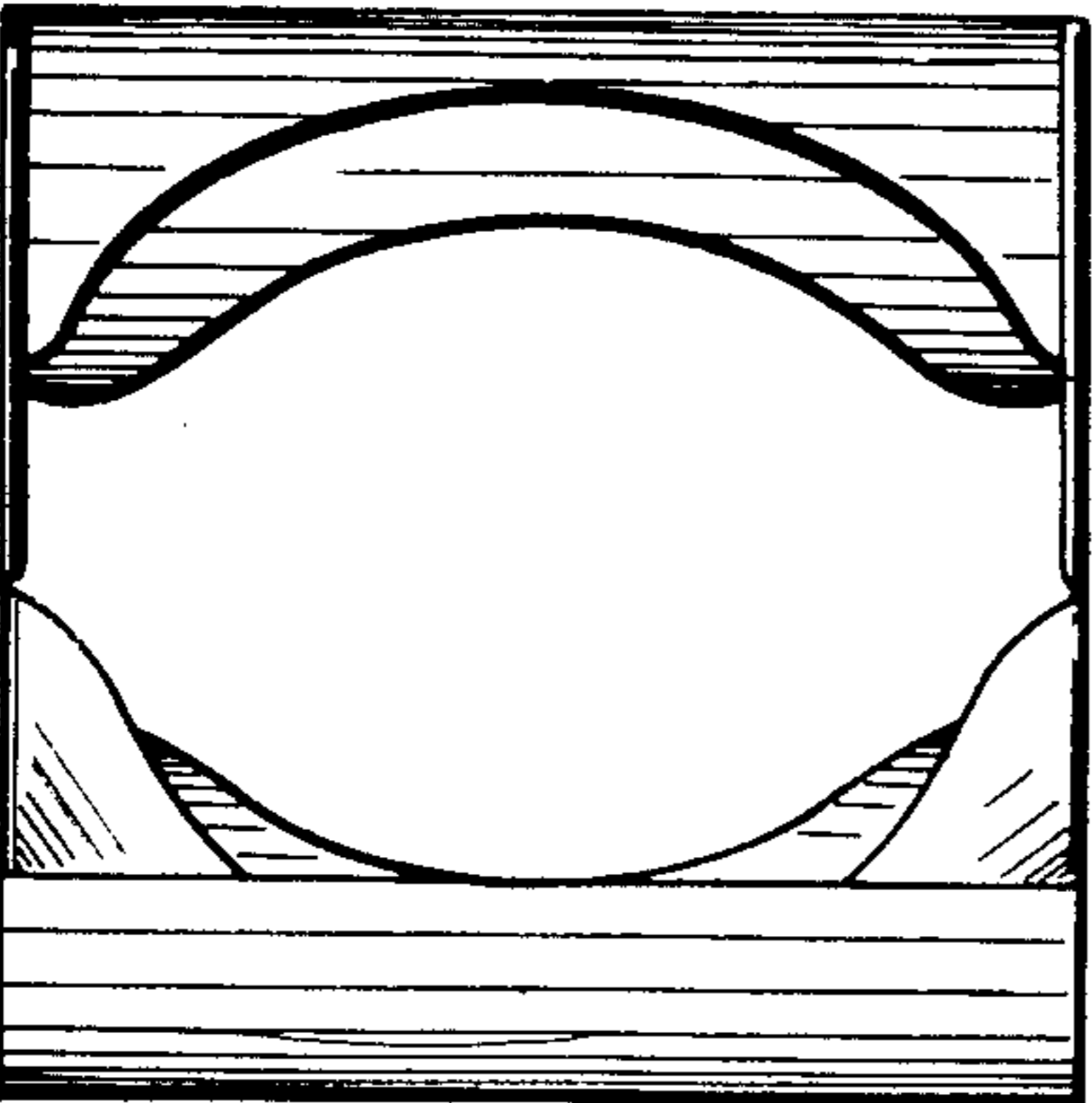
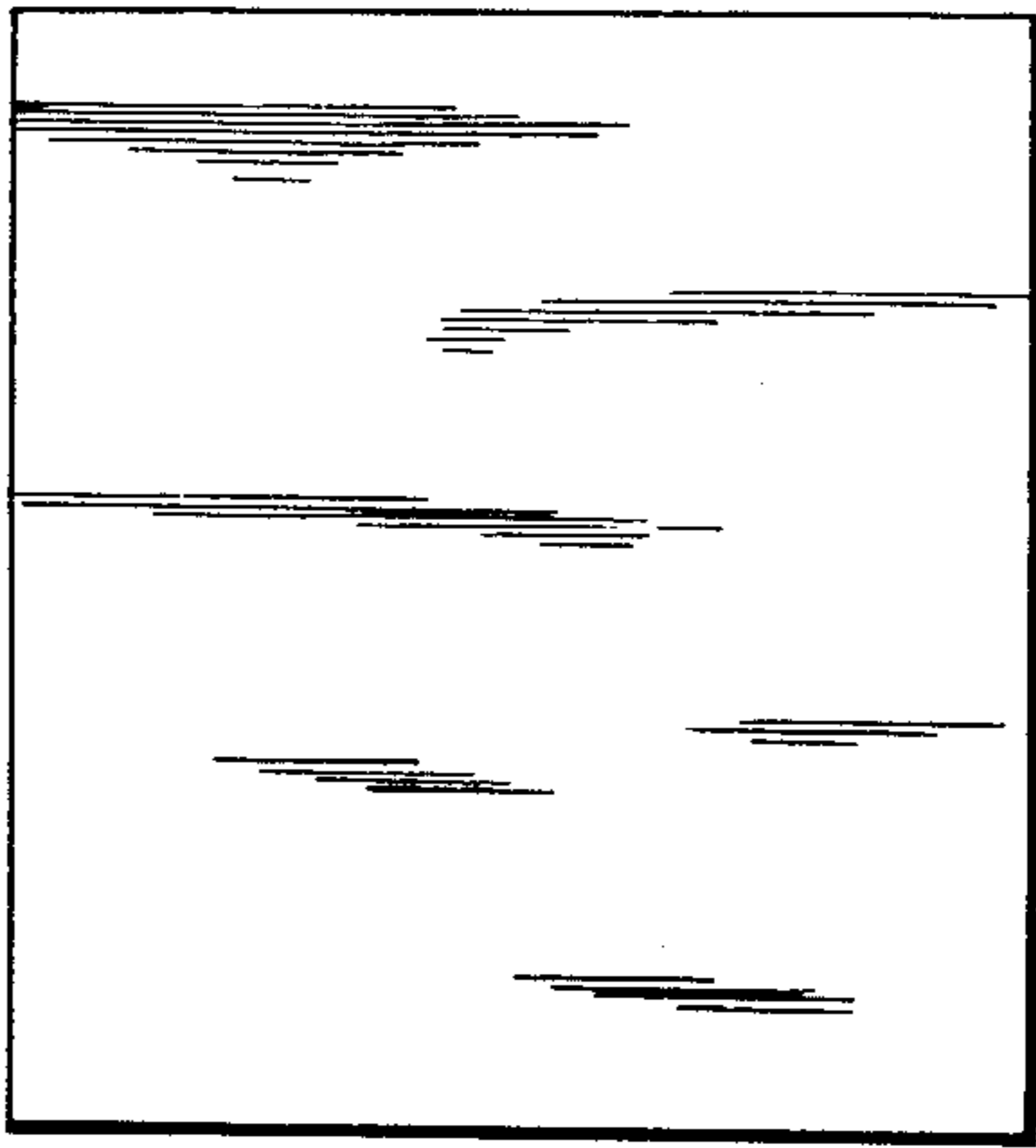
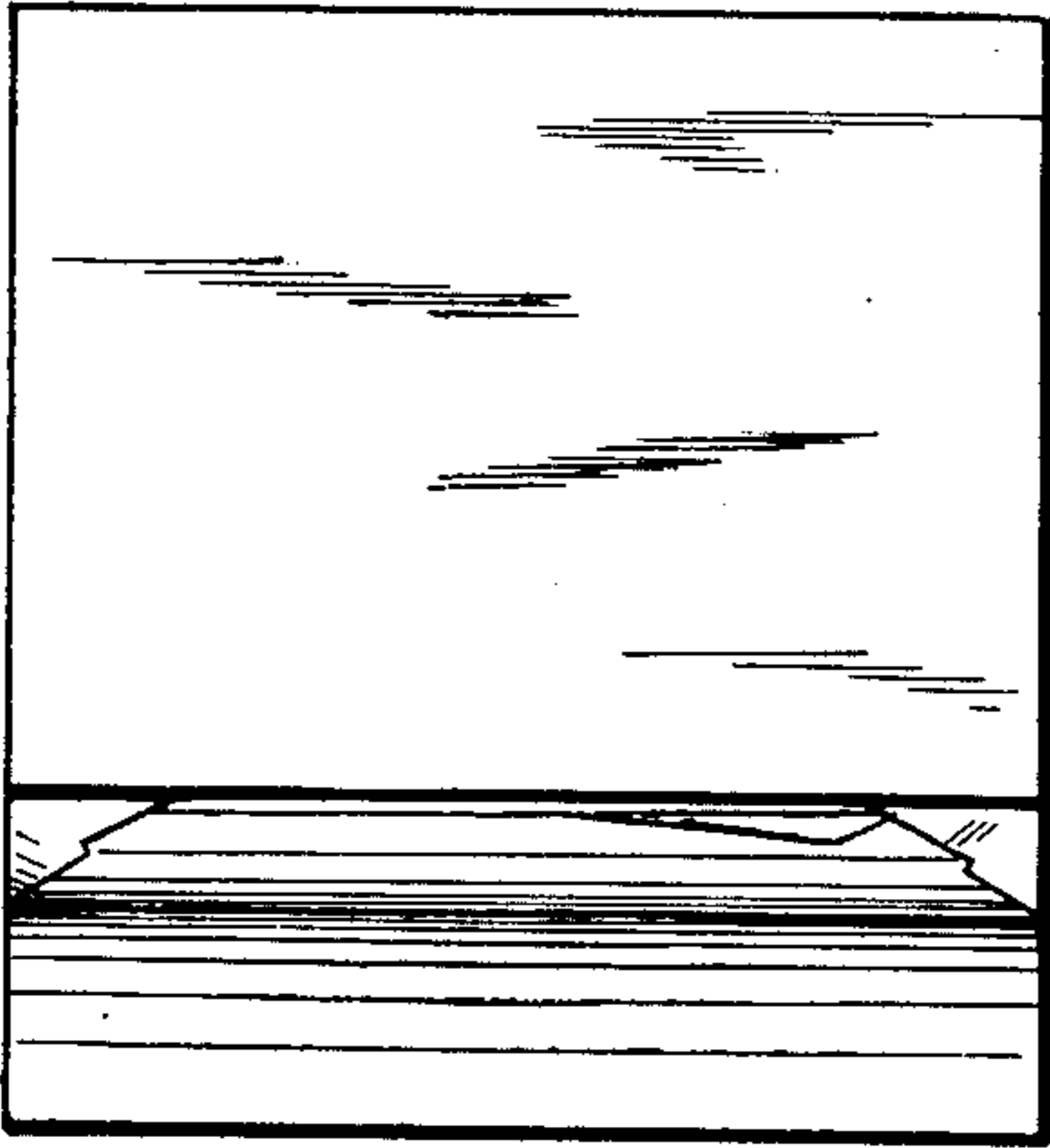
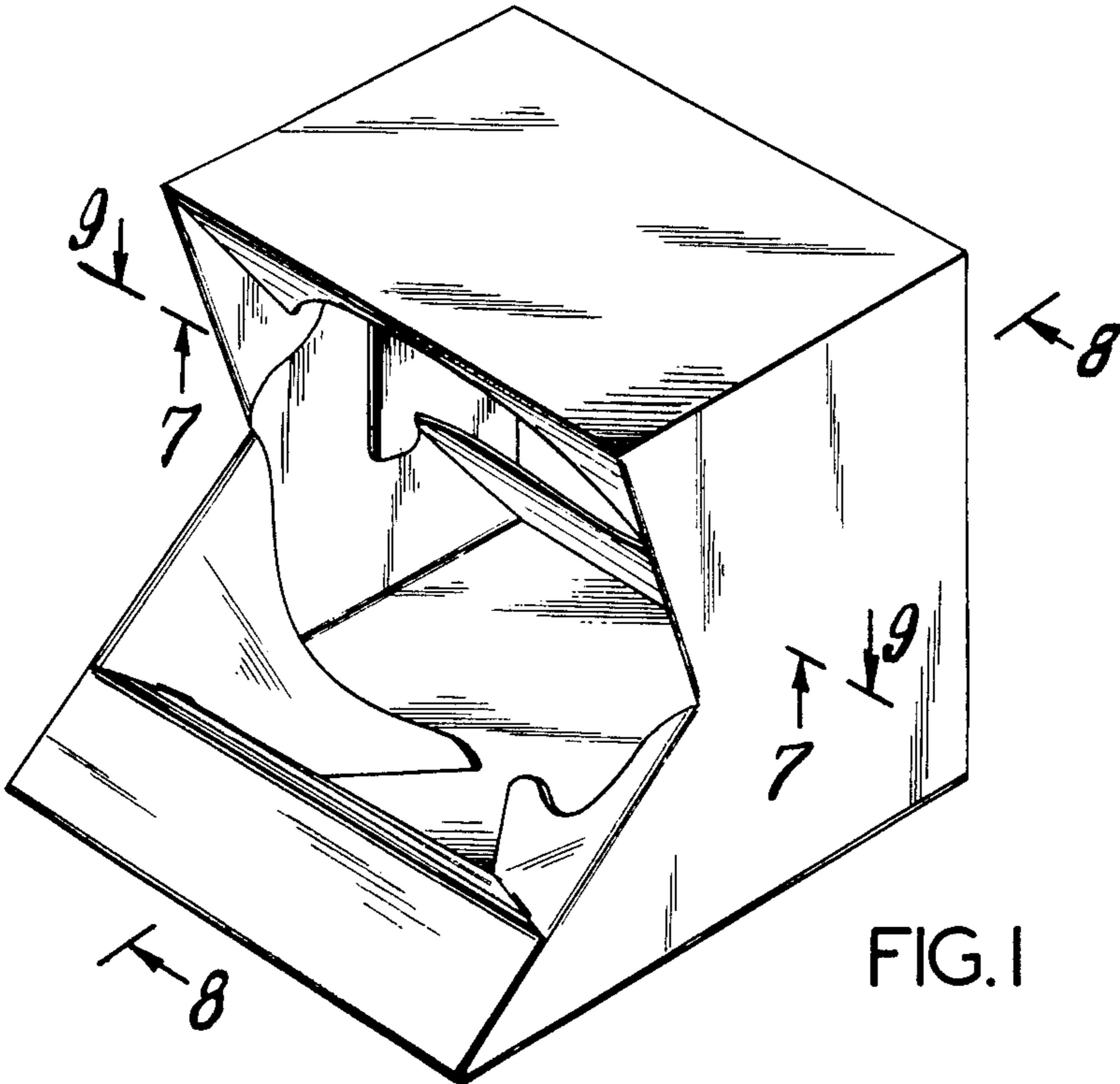
FIG. 6 is a rear elevational view,

FIG. 7 is a sectional view taken along line 7—7 in FIG. 1,

FIG. 8 is a sectional view taken along line 8—8 in FIG. 1, and

FIG. 9 is a sectional view taken along line 9—9 in FIG. 1.





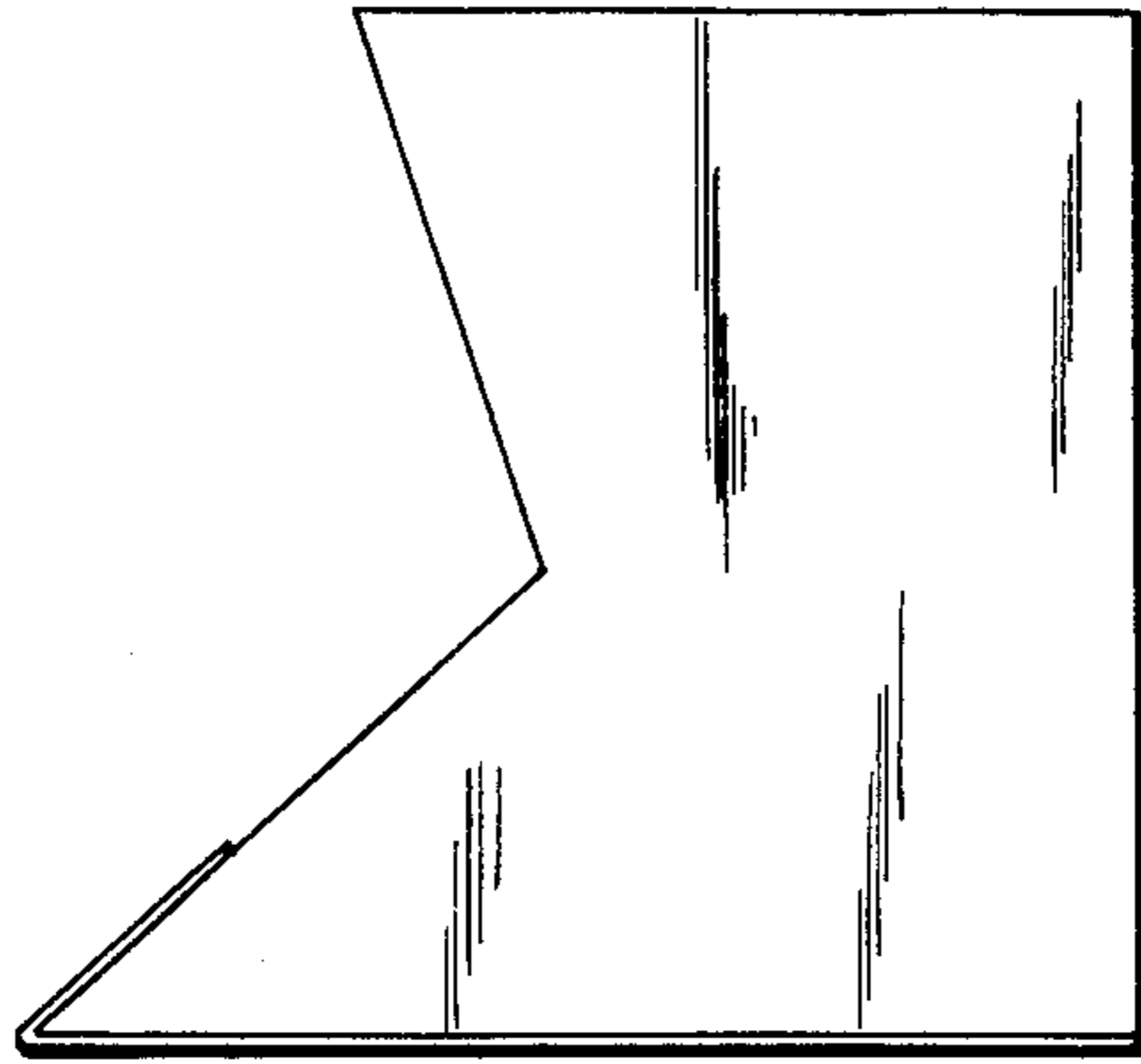


FIG. 5

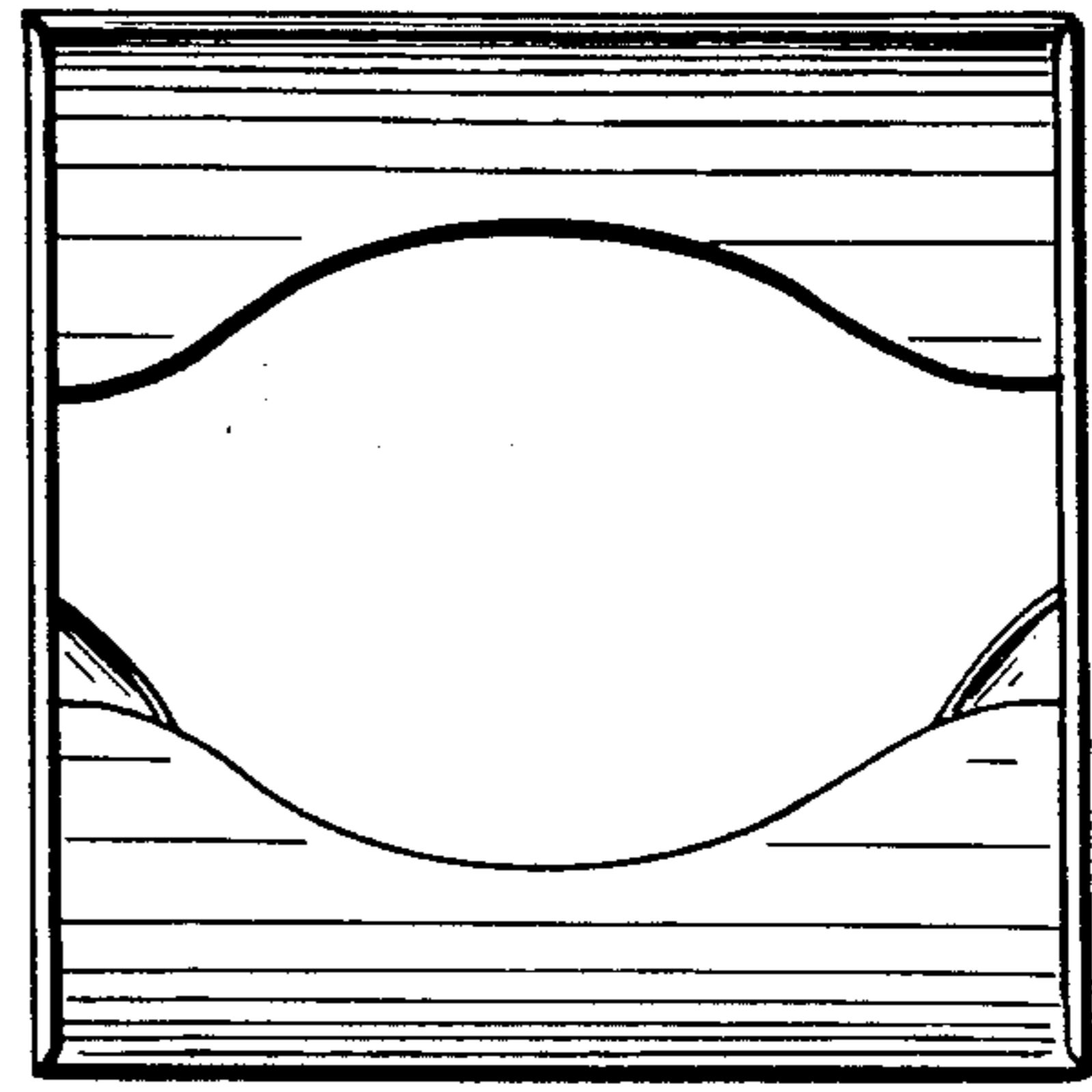


FIG. 6

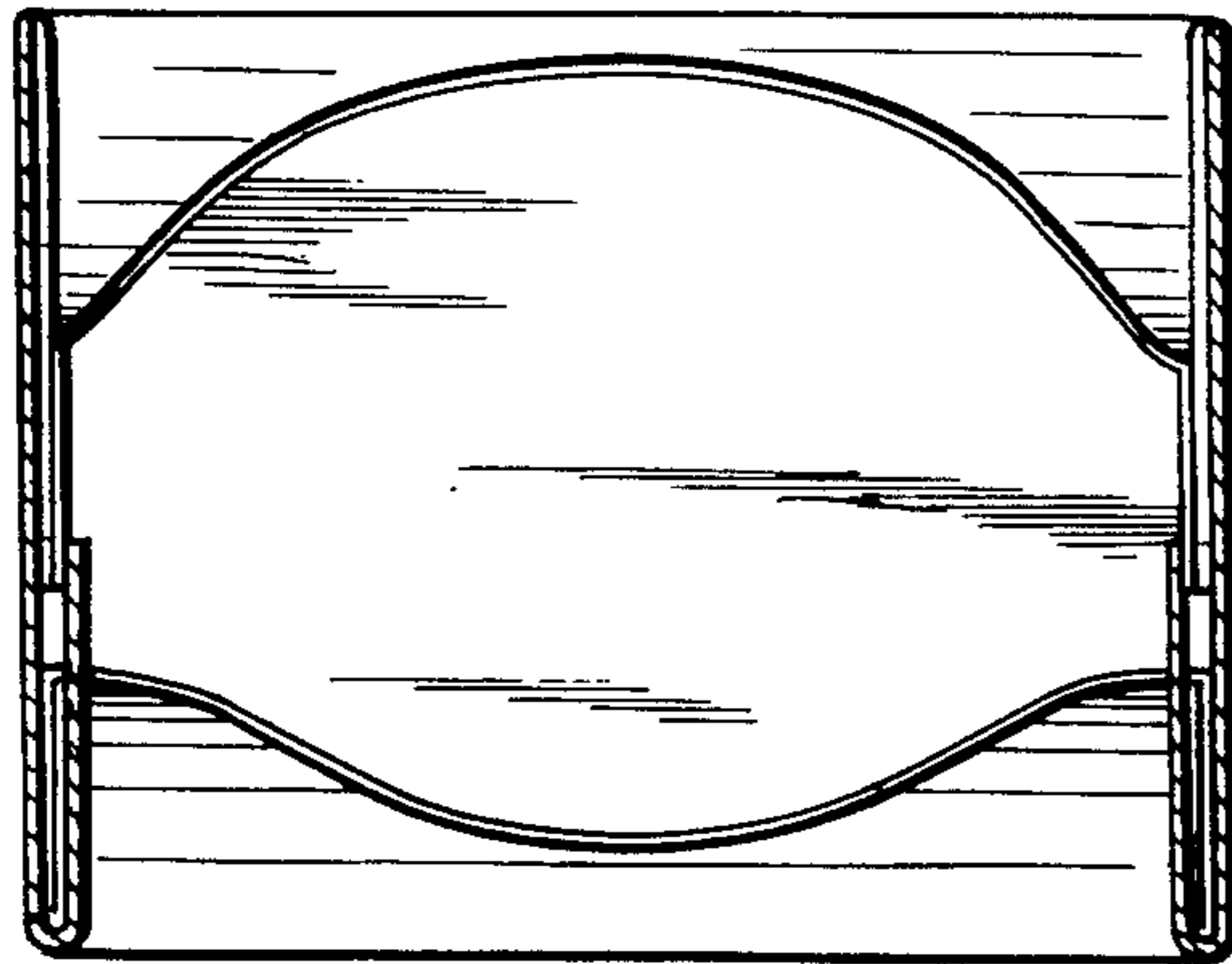


FIG. 7

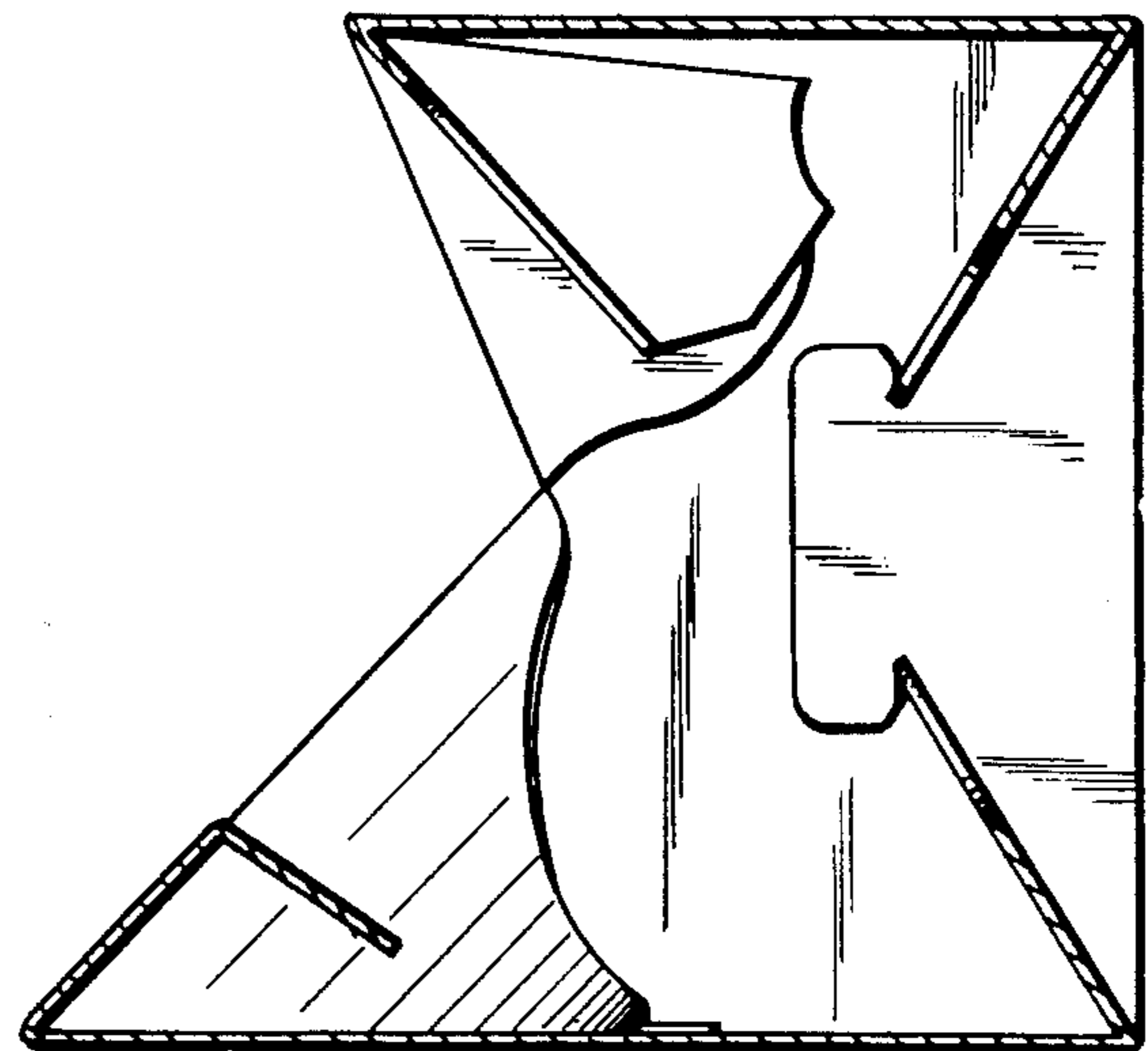


FIG. 8

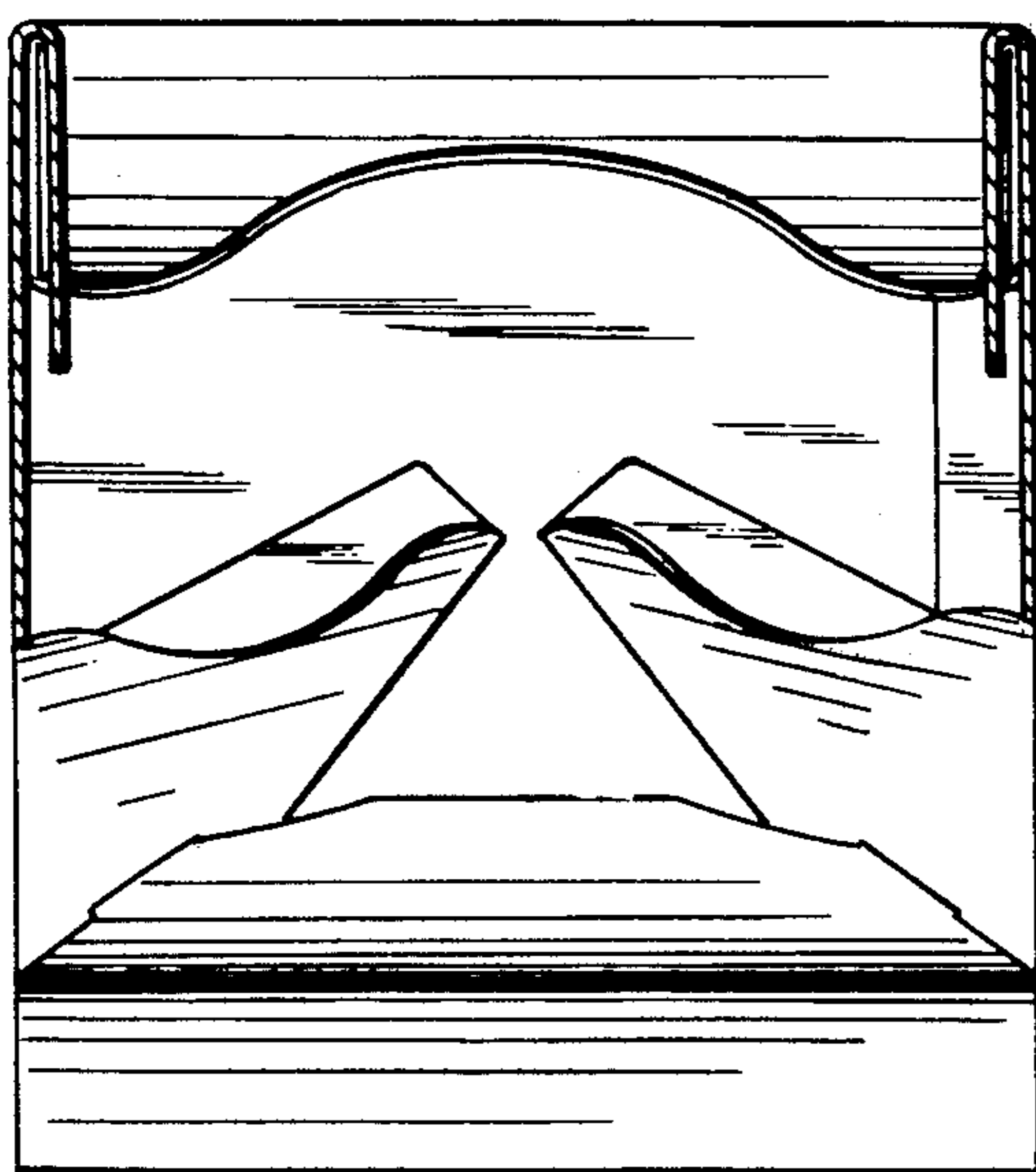


FIG. 9