

[54] COMBINED BOTTLE AND DISPLAY CONTAINER

[75] Inventor: Adam J. Grodin, Forest Hills, N.Y.

[73] Assignee: American Cyanamid Company, Stamford, Conn.

[**] Term: 14 Years

[21] Appl. No.: 662,298

[22] Filed: Mar. 1, 1976

[51] Int. Cl. D9-01

[52] U.S. Cl. D9/12

[58] Field of Search D9/12, 58-71, D9/167-168, 149

[56] References Cited

U.S. PATENT DOCUMENTS

D. 75,852 7/1928 Lelong D9/168

D. 87,342	7/1932	Guerlain	D9/168
D. 112,540	12/1938	Smith	D9/59
D. 114,921	5/1939	Eliot	D9/12
D. 143,386	1/1946	Altman	D9/12
D. 152,473	1/1949	Heim	D9/168
D. 229,394	11/1973	Givenchy	D9/12

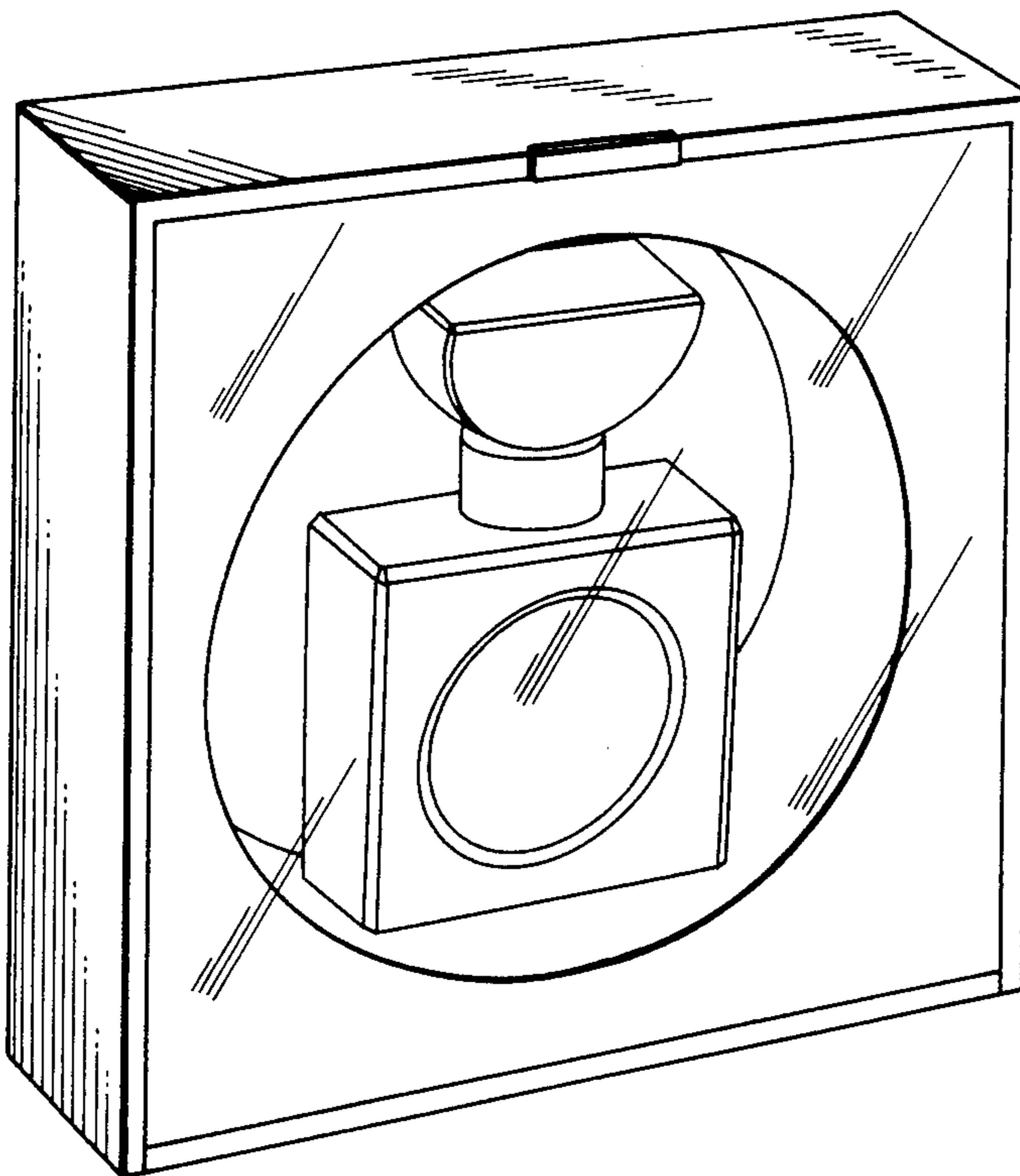
Primary Examiner—Robert C. Spangler
Attorney, Agent, or Firm—Charles J. Fickey

[57] CLAIM

The ornamental design for a combined bottle and display container, substantially as shown and described.

DESCRIPTION

FIG. 1 is a front perspective view of a combined bottle and display package showing my new design; FIG. 2 is a view similar to FIG. 1 with the front cover in open position; and FIG. 3 is a rear elevational view. The bottom is plain and unornamented and the right side is the same in appearance as the left side shown.



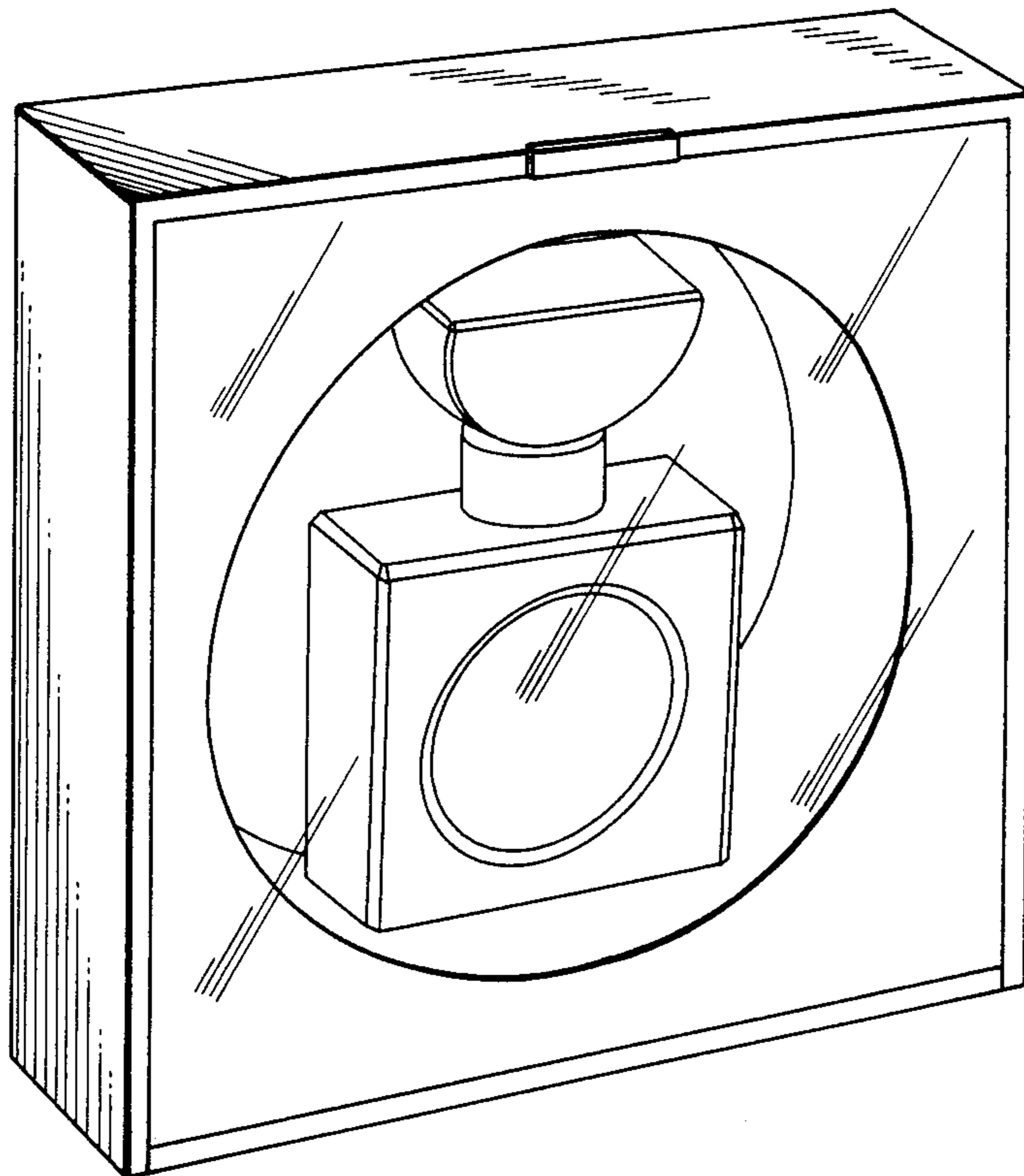


FIG. 1

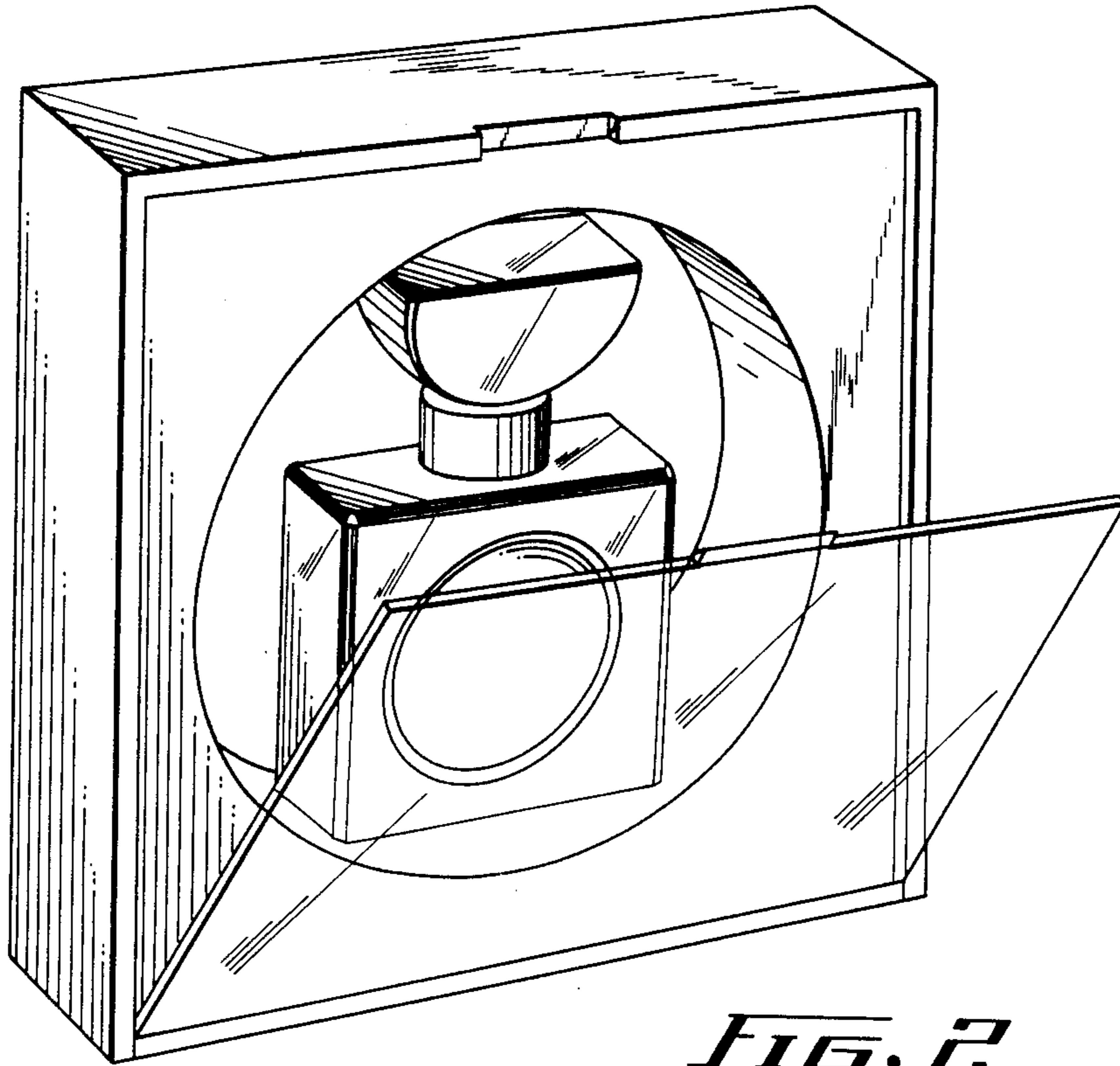


FIG. 2

FIG. 3

