

[54] HINGE BASE

[75] Inventor: LaVerne E. Clayton, Rockford, Ill.

[73] Assignee: Amerock Corporation, Rockford, Ill.

[\*\*] Term: 14 Years

[21] Appl. No.: 746,607

[22] Filed: Dec. 1, 1976

[51] Int. Cl. .... D8-06

[52] U.S. Cl. .... D8/327

[58] Field of Search ..... D8/300, 301, 302, 305-307,  
D8/310, 313-323, 349-353, 400, 401, 327, 329;  
16/110 R

[56] References Cited

U.S. PATENT DOCUMENTS

D. 191,196 8/1961 Aleks ..... D8/329

D. 209,387 11/1967 Maize ..... D8/329  
D. 235,847 7/1975 Clayton ..... D8/327

Primary Examiner—Wallace R. Burke

Assistant Examiner—B. J. Bullock

Attorney, Agent, or Firm—C. Frederick Leydig

[57] CLAIM

The ornamental design for a hinge base, as shown.

DESCRIPTION

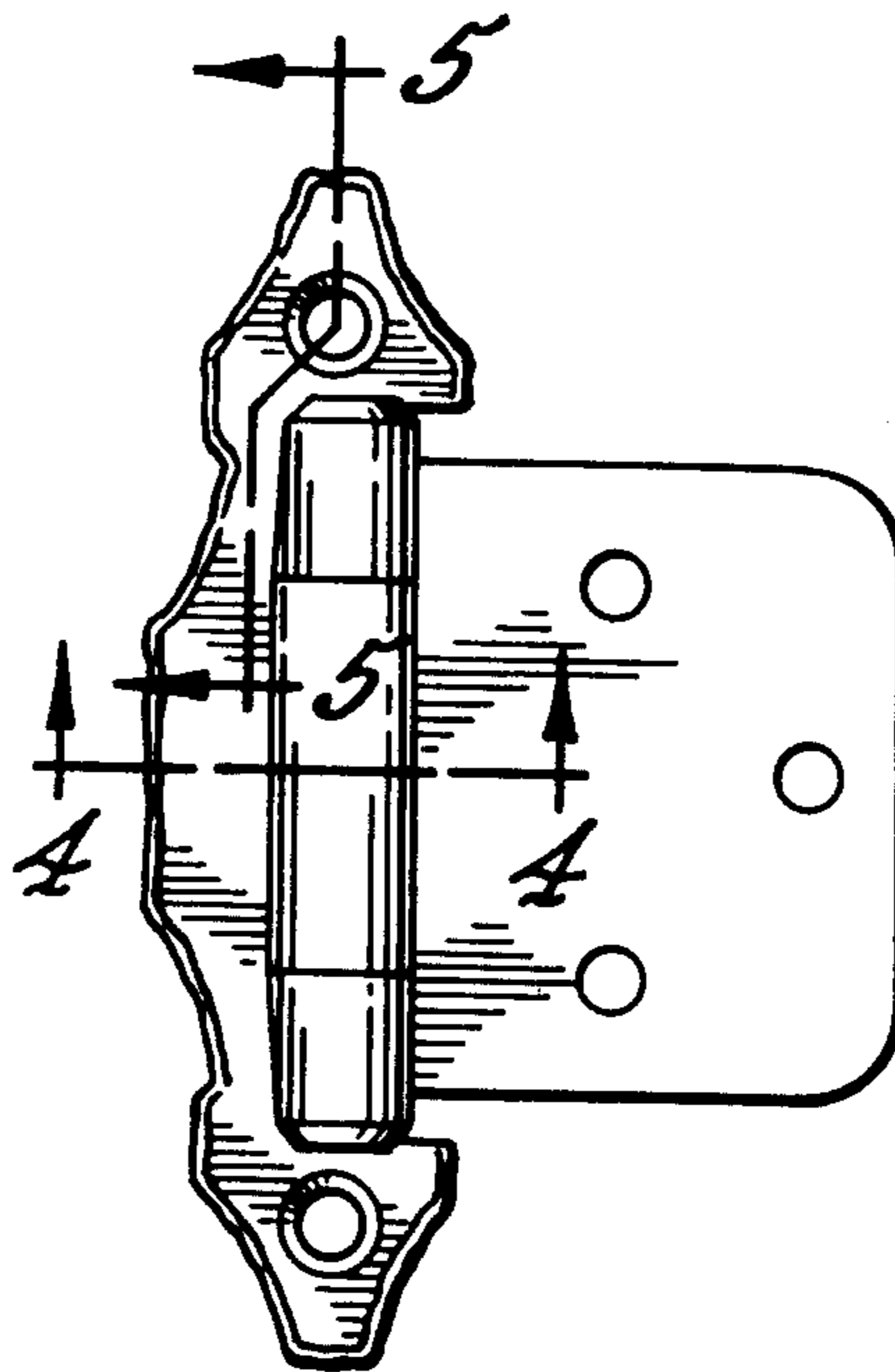
FIG. 1 is a front elevational view of a hinge base incorporating my new design;

FIG. 2 is a side elevational view taken from the left of FIG. 1;

FIG. 3 is a bottom plan view;

FIG. 4 is an enlarged fragmentary sectional view taken along the line 4—4 in FIG. 1.

FIG. 5 is an enlarged fragmentary sectional view taken along the line 5—5 in FIG. 1.



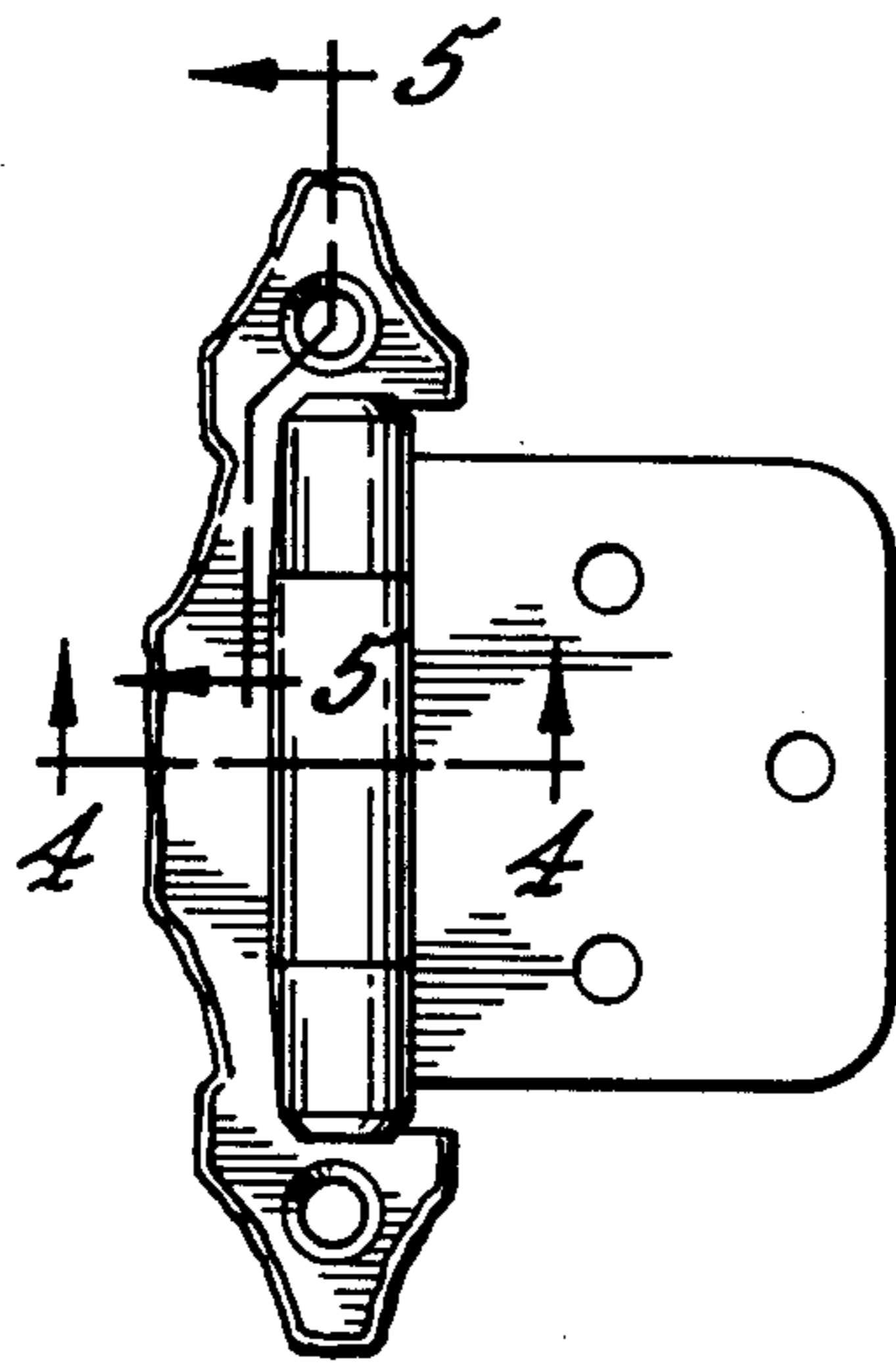


FIG. 1.

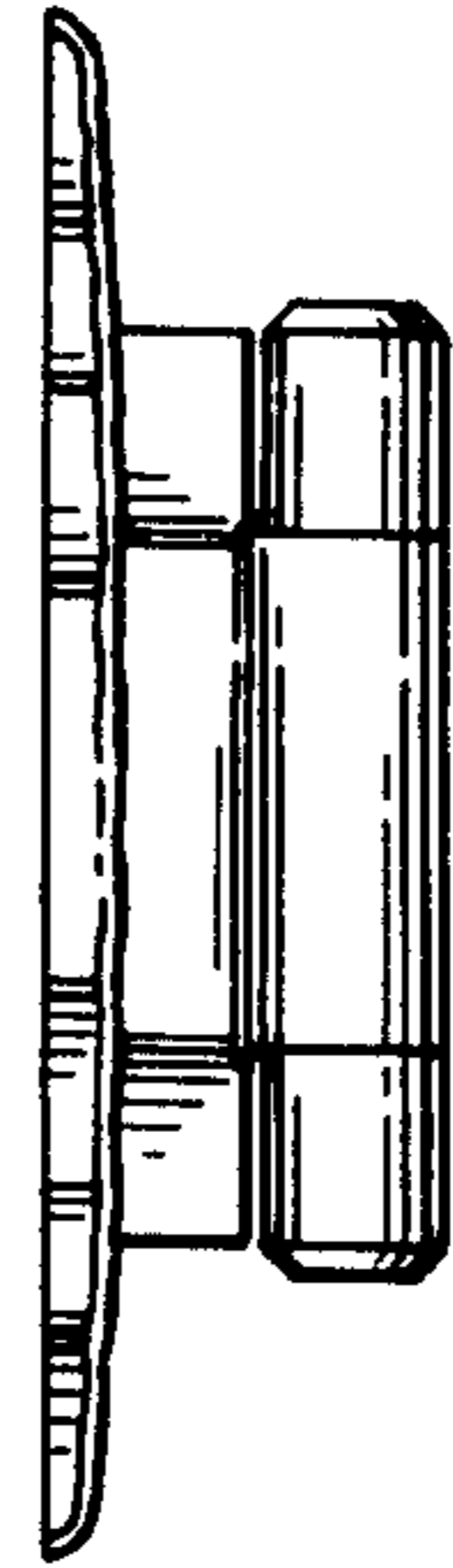


FIG. 2.

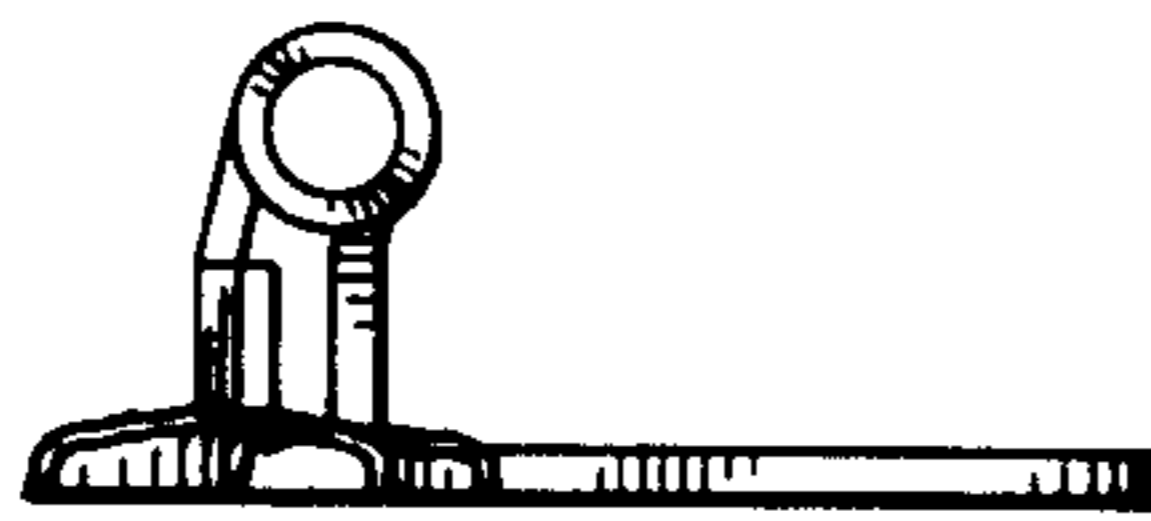


FIG. 3.

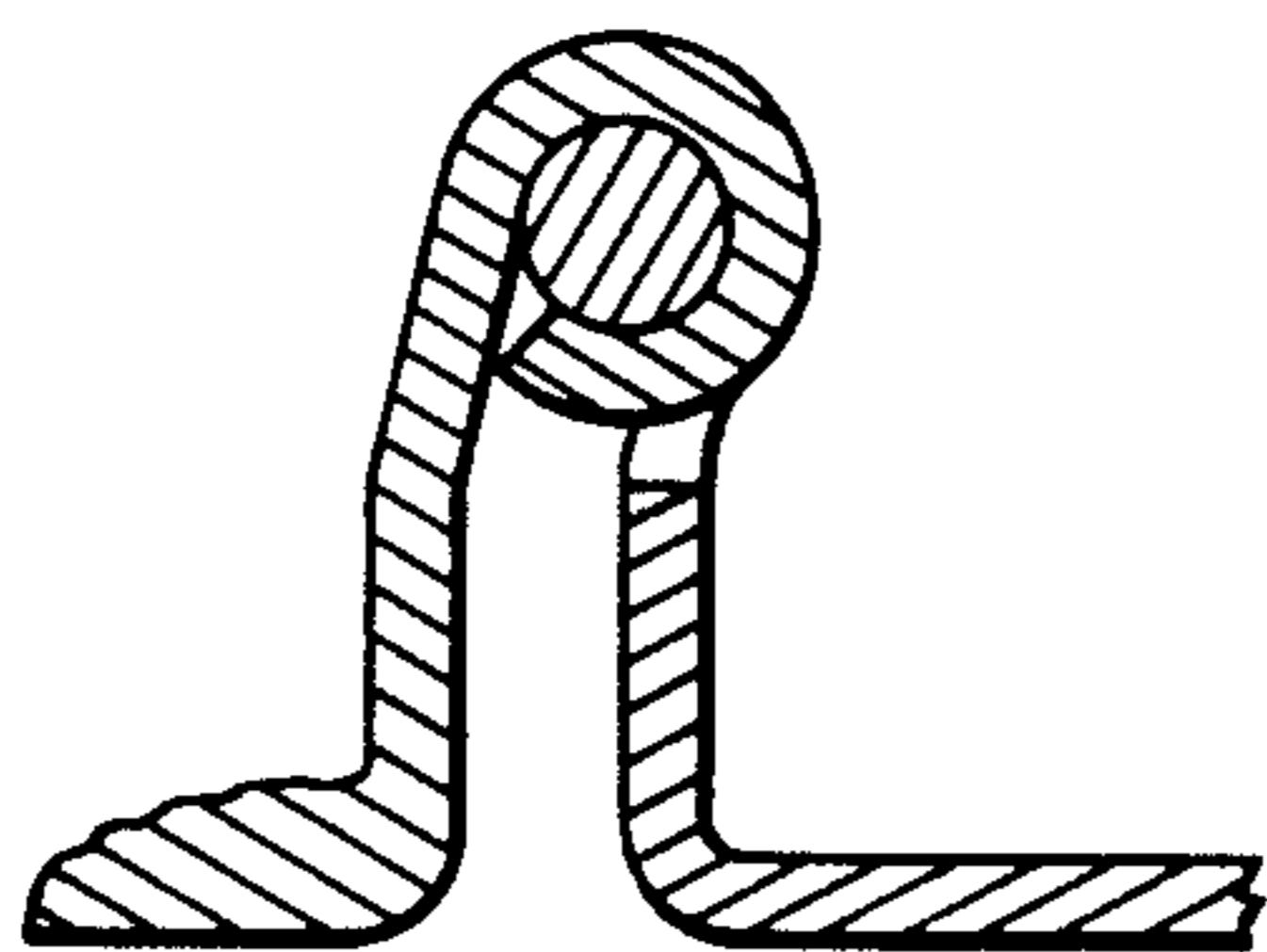


FIG. 4.



FIG. 5.