

[54] HINGE LEAF

[75] Inventor: David F. James, Redondo Beach, Calif.

[73] Assignee: Norris Industries, Inc., Los Angeles, Calif.

[\*\*] Term: 14 Years

[21] Appl. No.: 671,128

[22] Filed: Mar. 29, 1976

[51] Int. Cl. .... D8-06

[52] U.S. Cl. .... D8/327

[58] Field of Search ..... D8/300-302, D8/306, 307, 313-323, 349-353, 400, 401, 327

[56] References Cited

U.S. PATENT DOCUMENTS

- D. 202,544 10/1965 Maize ..... D8/327
- D. 217,846 6/1970 Bulone ..... D8/327

D. 235,847 7/1975 Clayton ..... D8/327

OTHER PUBLICATIONS

National Lock Hardware Cat. © 1974, p. 11, Chantilly handle.

Primary Examiner—Wallace R. Burke

Assistant Examiner—B. J. Bullock

Attorney, Agent, or Firm—Paul A. Weilein

[57] CLAIM

The ornamental design for a hinge leaf, as shown and described.

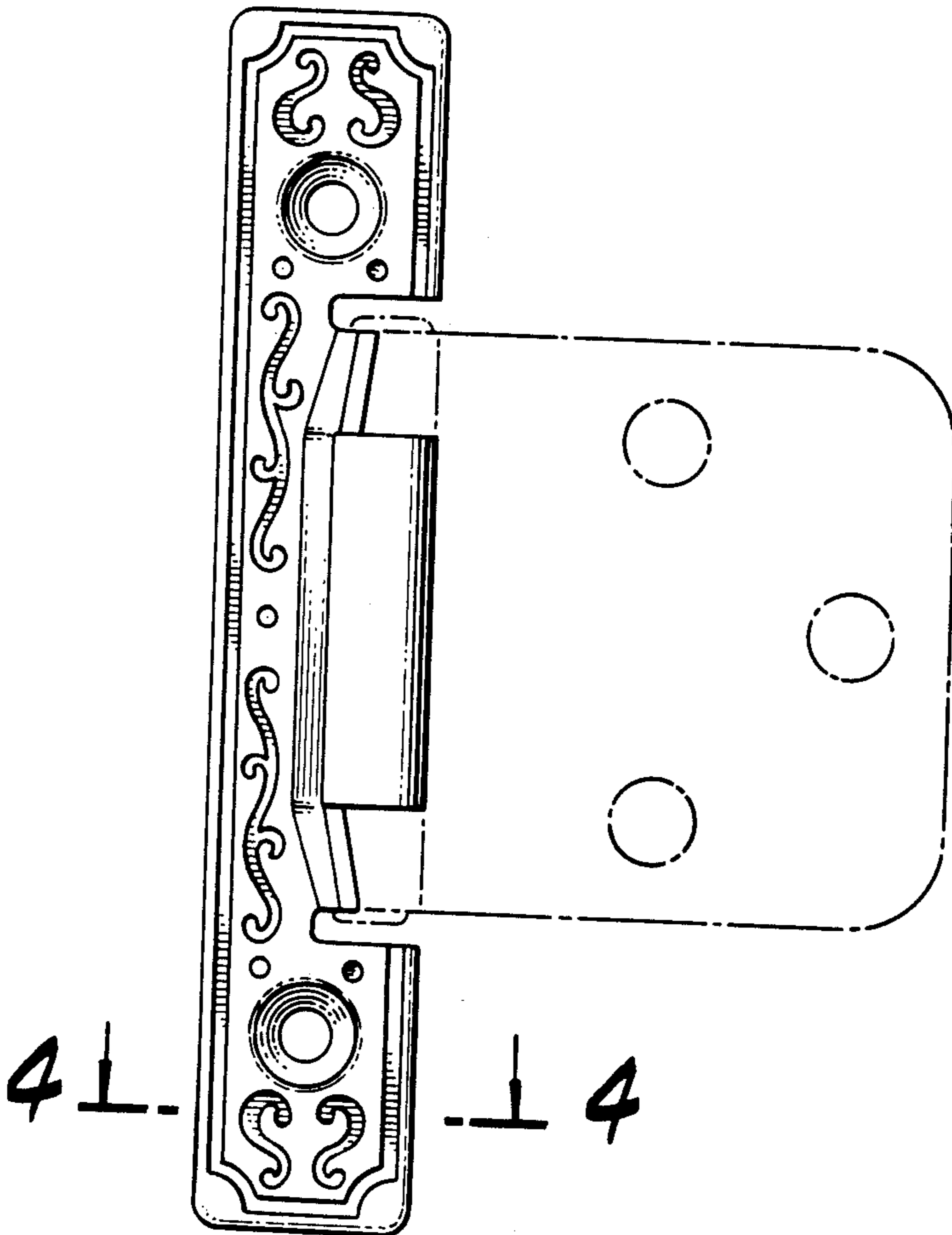
DESCRIPTION

FIG. 1 is a front elevational view of a hinge leaf showing my new design, the mounting plate being shown in broken lines for illustrative purposes only;

FIG. 2 is a side elevational view taken from the left of FIG. 1;

FIG. 3 is a top plan view thereof; and

FIG. 4 is a sectional view taken on line 4-4 of FIG. 1.



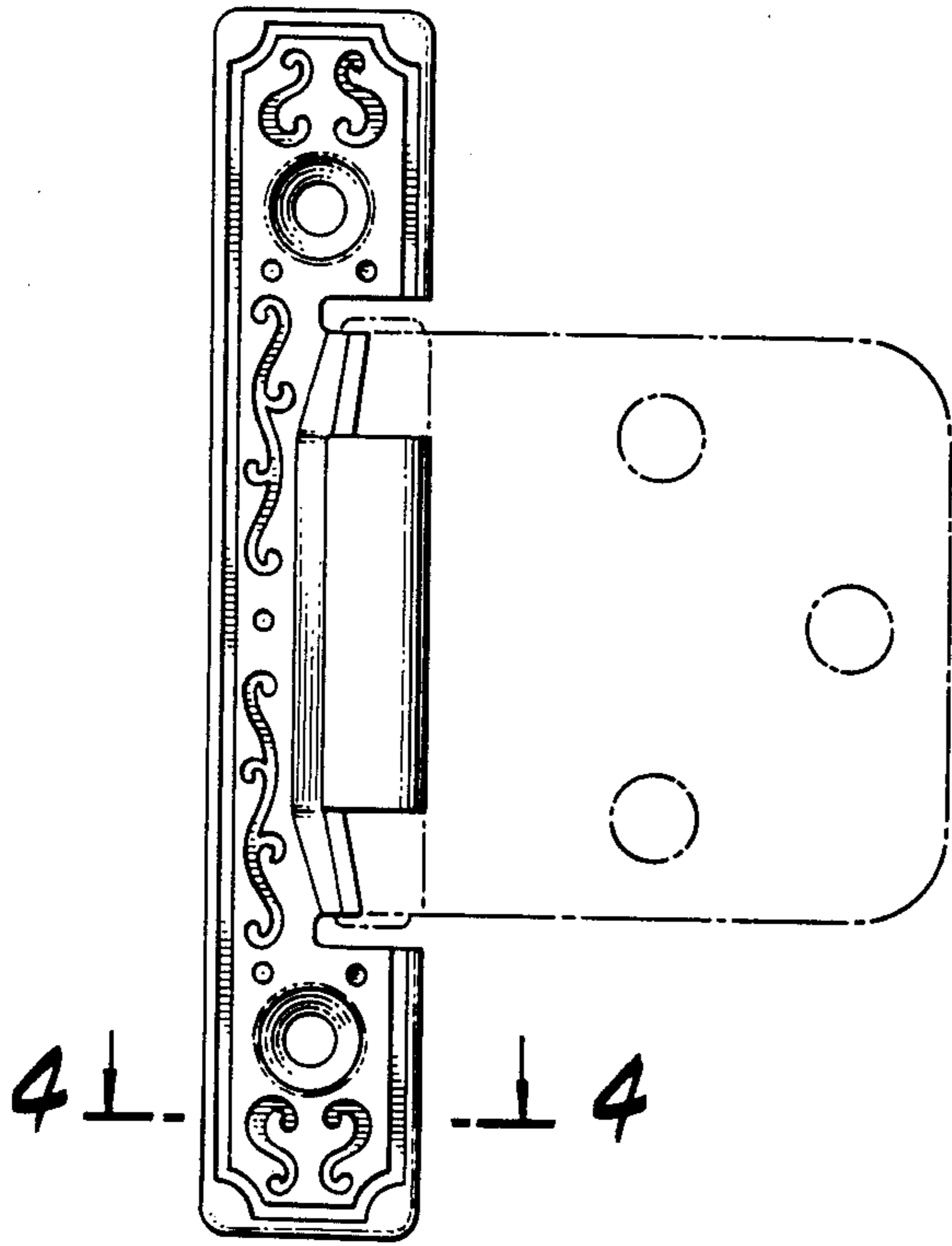


FIG. 1.

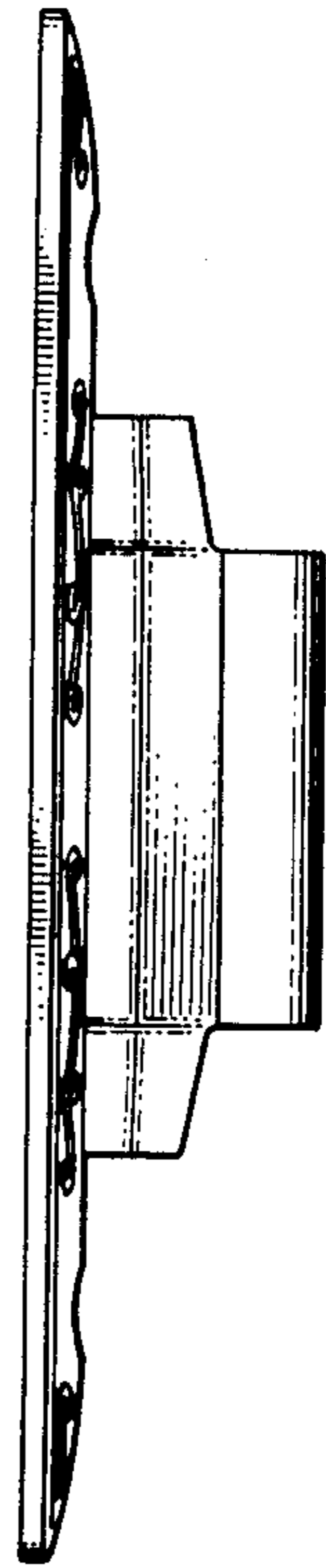


FIG. 2.

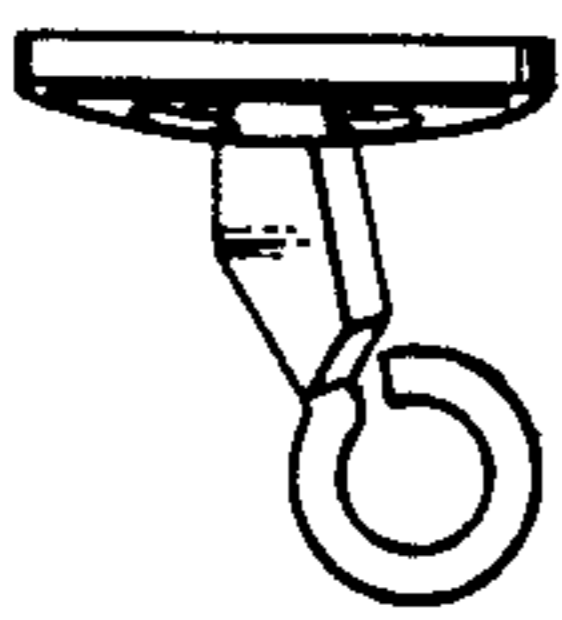


FIG. 3.



FIG. 4.