

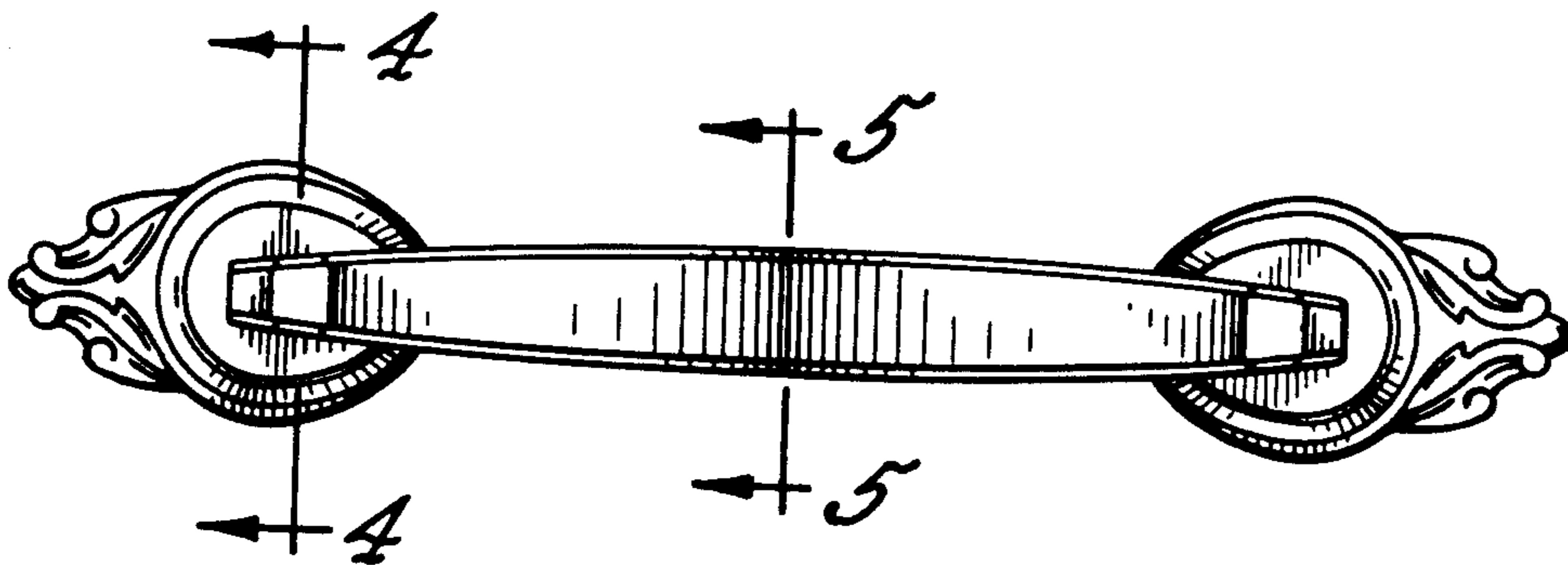
- [54] PULL
- [75] Inventor: LaVerne E. Clayton, Rockford, Ill.
- [73] Assignee: Amerock Corporation, Rockford, Ill.
- [**] Term: 14 Years
- [21] Appl. No.: 746,521
- [22] Filed: Dec. 1, 1976
- [51] Int. Cl. D8-06
- [52] U.S. Cl. D8/317
- [58] Field of Search D8/300, 301, 305-307,
D8/310, 313-323, 349-353, 400, 401; 16/110 R

[56] **References Cited**
PUBLICATIONS
Artistic Brass Cat. H-69, 11/1969, p. 7, escutcheon H43-142.

Sturbridge Yankee Workshop Cat. ©1973, p. 58, door pull GZ-0281B.
Jaybee Builders & Cabinet Hardware, Cat. 133, 2/1974, p. 62, pull No. 599.
Primary Examiner—Wallace R. Burke
Assistant Examiner—B. J. Bullock
Attorney, Agent, or Firm—C. Frederick Leydig

[57] **CLAIM**
The ornamental design for a pull, as shown.

DESCRIPTION
FIG. 1 is a front elevational view of a pull incorporating my new design;
FIG. 2 is a bottom plan view, the top view being identical;
FIG. 3 is an end elevational view;
FIG. 4 is an enlarged sectional view taken along the line 4-4 in FIG. 1.
FIG. 5 is an enlarged sectional view taken along the line 5-5 in FIG. 1.



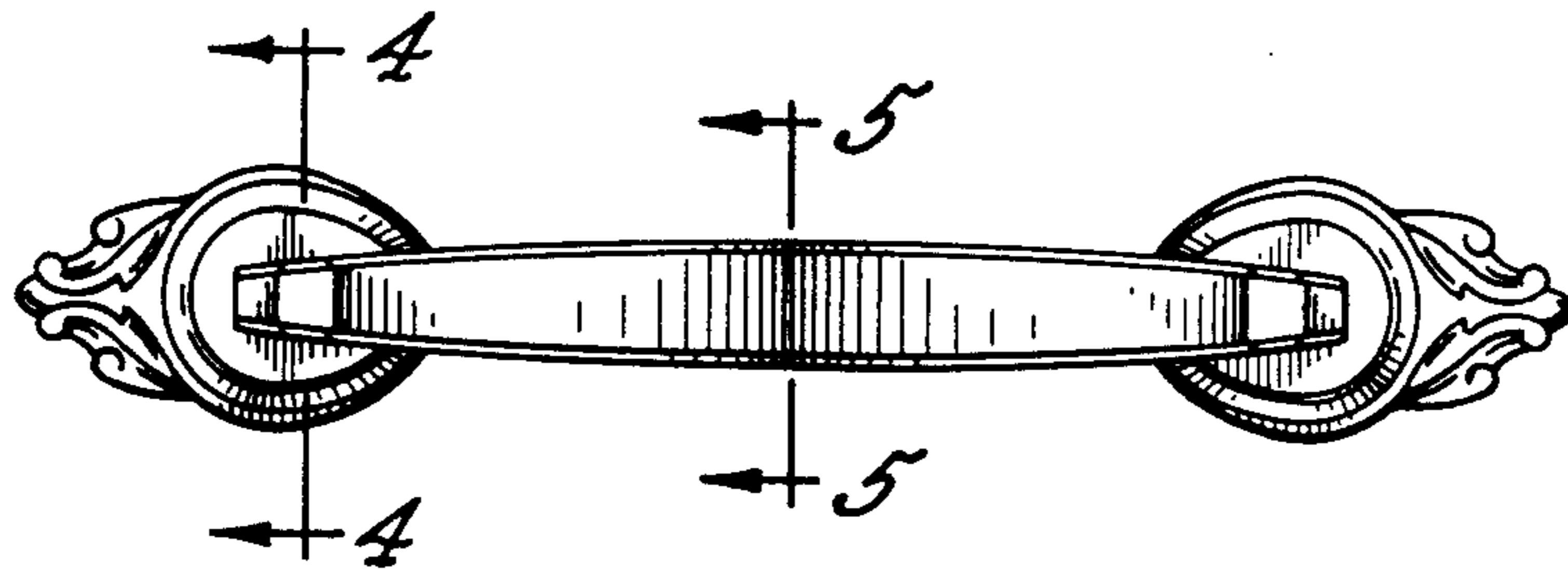


FIG. 1.

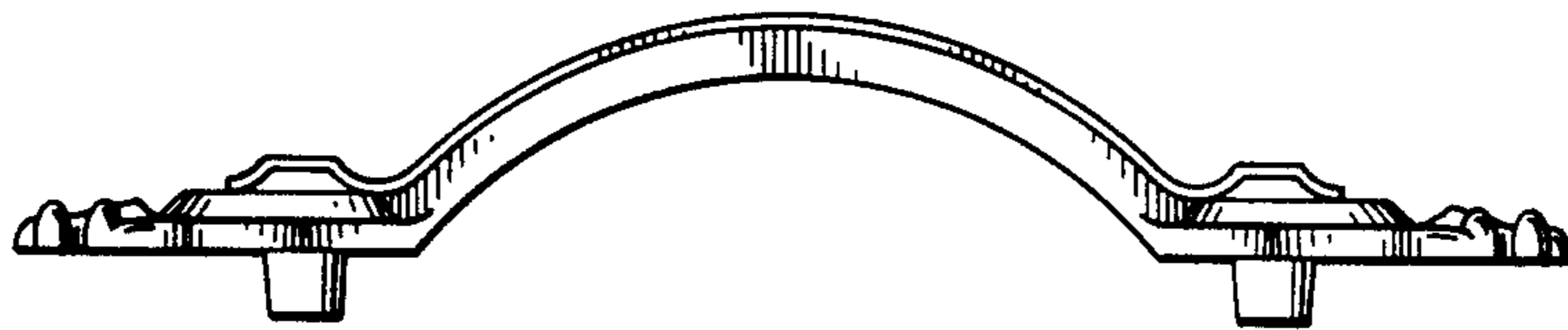


FIG. 2.

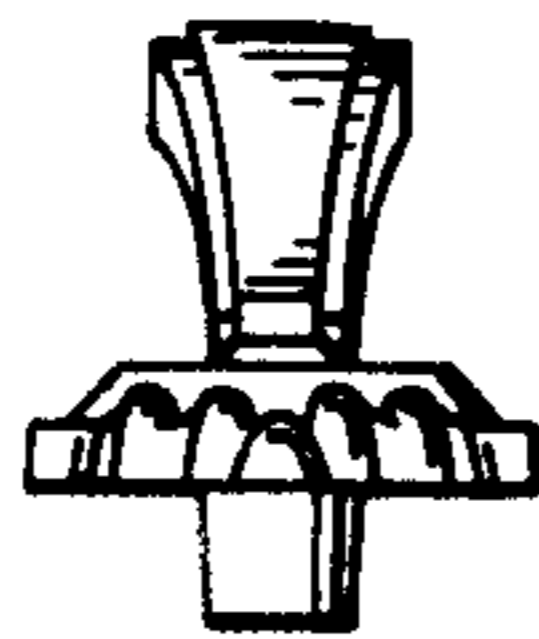


FIG. 3.

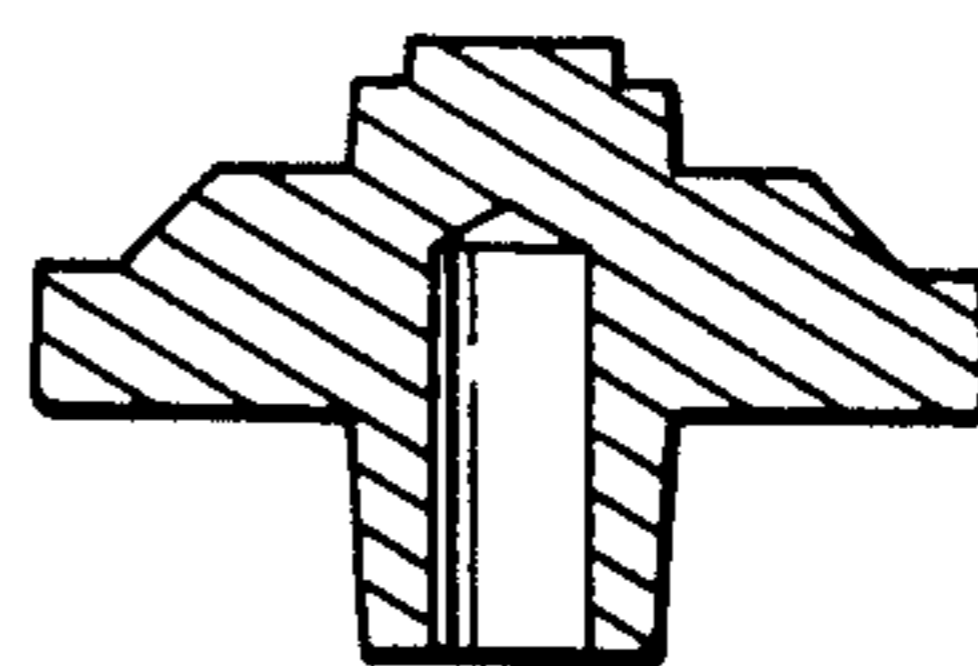


FIG. 4.



FIG. 5.