

[54] PIE CUTTER

[76] Inventor: Robert E. Blanchard, 31 Agawam Road, Rumford, R.I. 02916

[**] Term: 14 Years

[21] Appl. No.: 658,847

[22] Filed: Feb. 17, 1976

[51] Int. Cl. D7-04
[52] U.S. Cl. D7/43
[58] Field of Search D7/97, 43, 106, 47;
30/114; D15/95, 97

[56]

References Cited

U.S. PATENT DOCUMENTS

2,302,323	11/1942	Hubbard	30/114
2,403,190	7/1946	Parraga	D7/43 X
2,824,588	2/1958	Lyon et al.	30/114
3,195,532	7/1965	Tranberg	D7/97 X

Primary Examiner—Winifred E. Herrmann
Attorney, Agent, or Firm—Elliot A. Salter

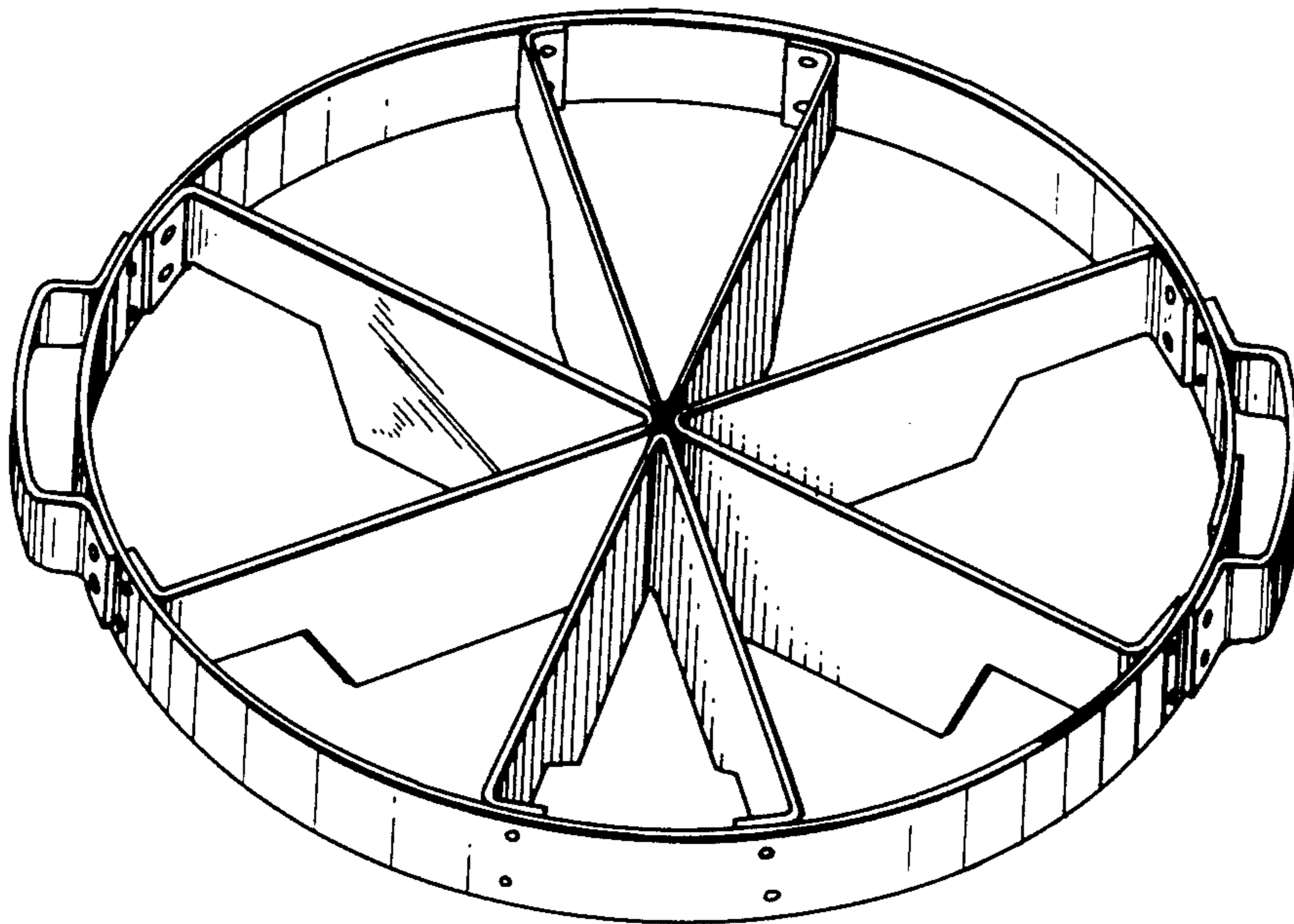
[57]

CLAIM

The ornamental design for a pie cutter, substantially as shown.

DESCRIPTION

FIG. 1 is a perspective view of a pie cutter showing my new design;
FIG. 2 is a top plan view thereof;
FIG. 3 is an elevational view thereof; and
FIG. 4 is a bottom plan view thereof.



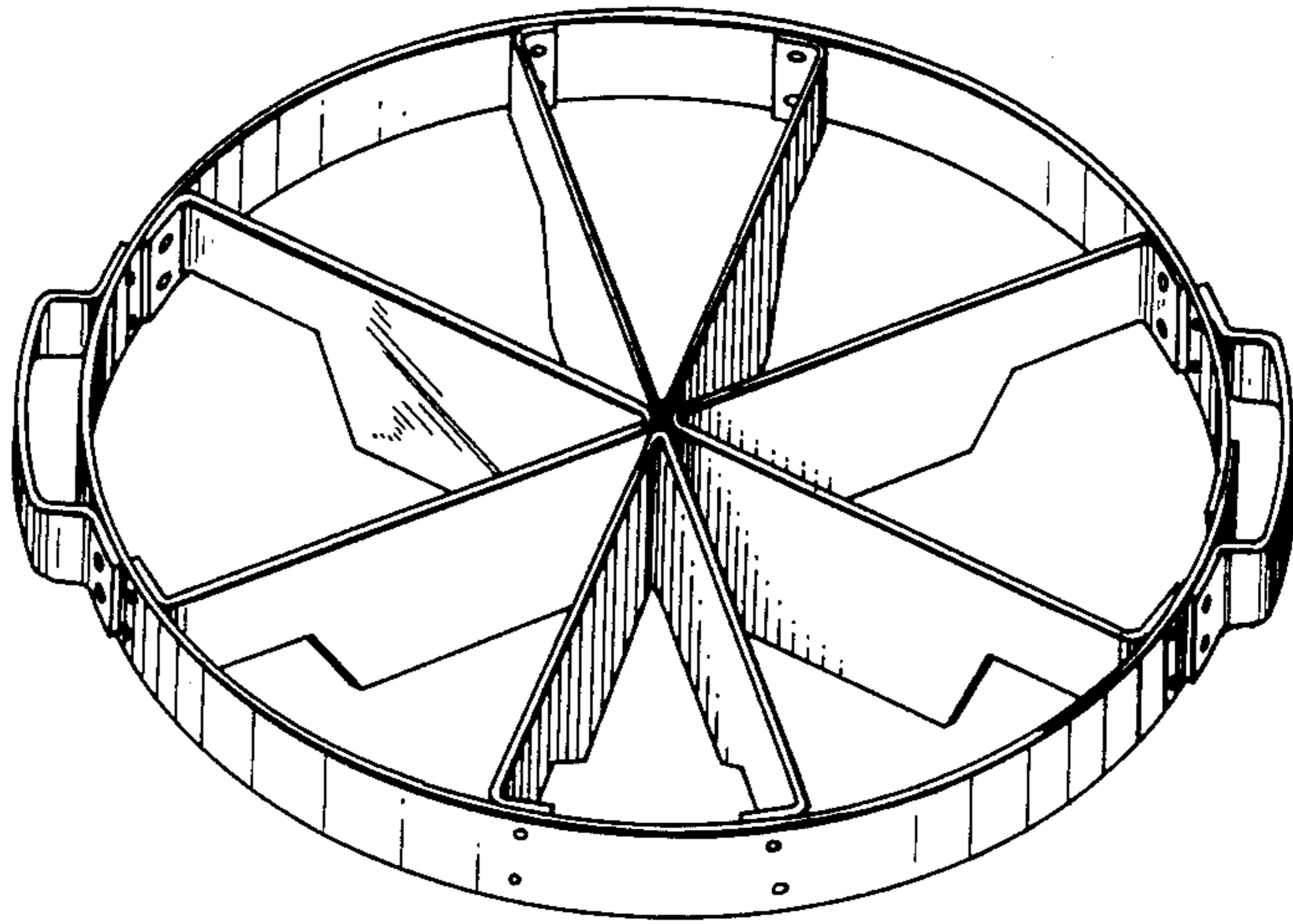


FIG. 1

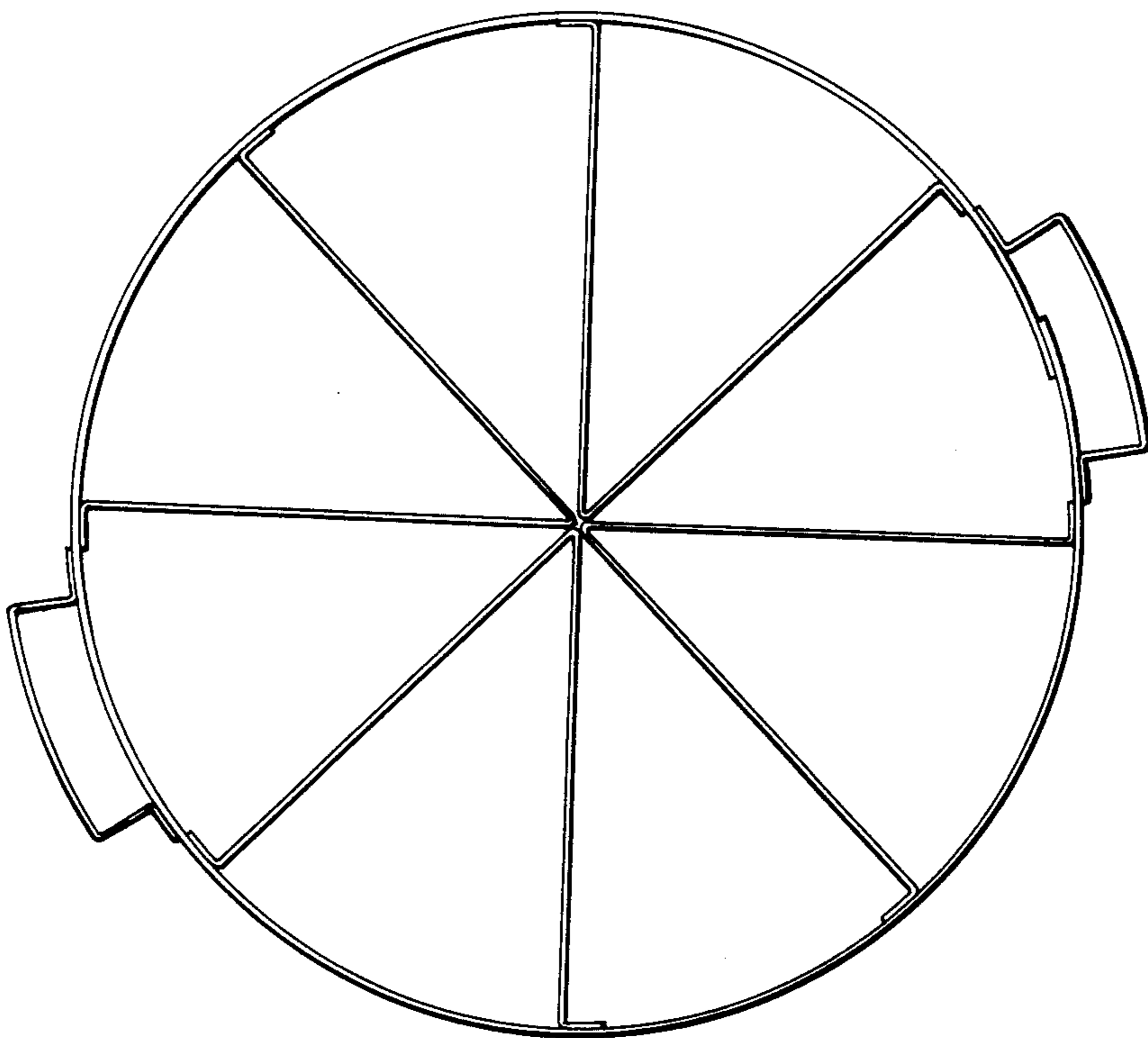


FIG. 2

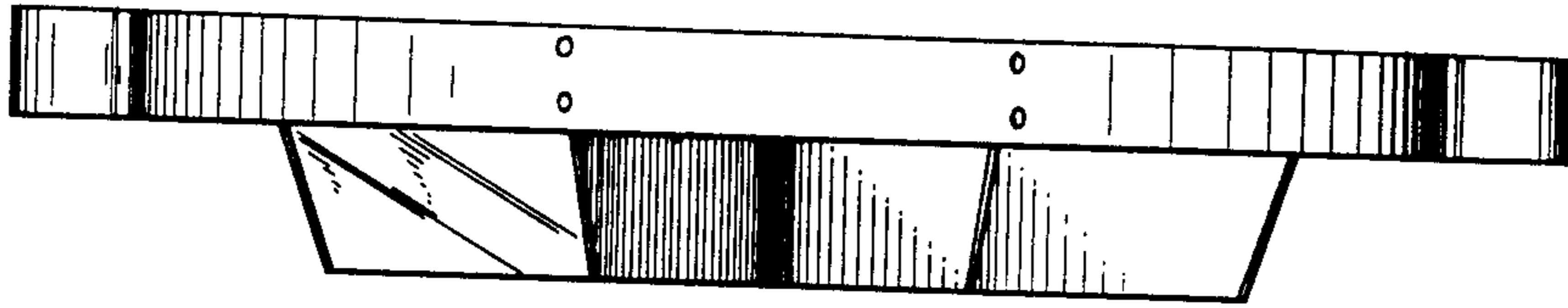


FIG. 3

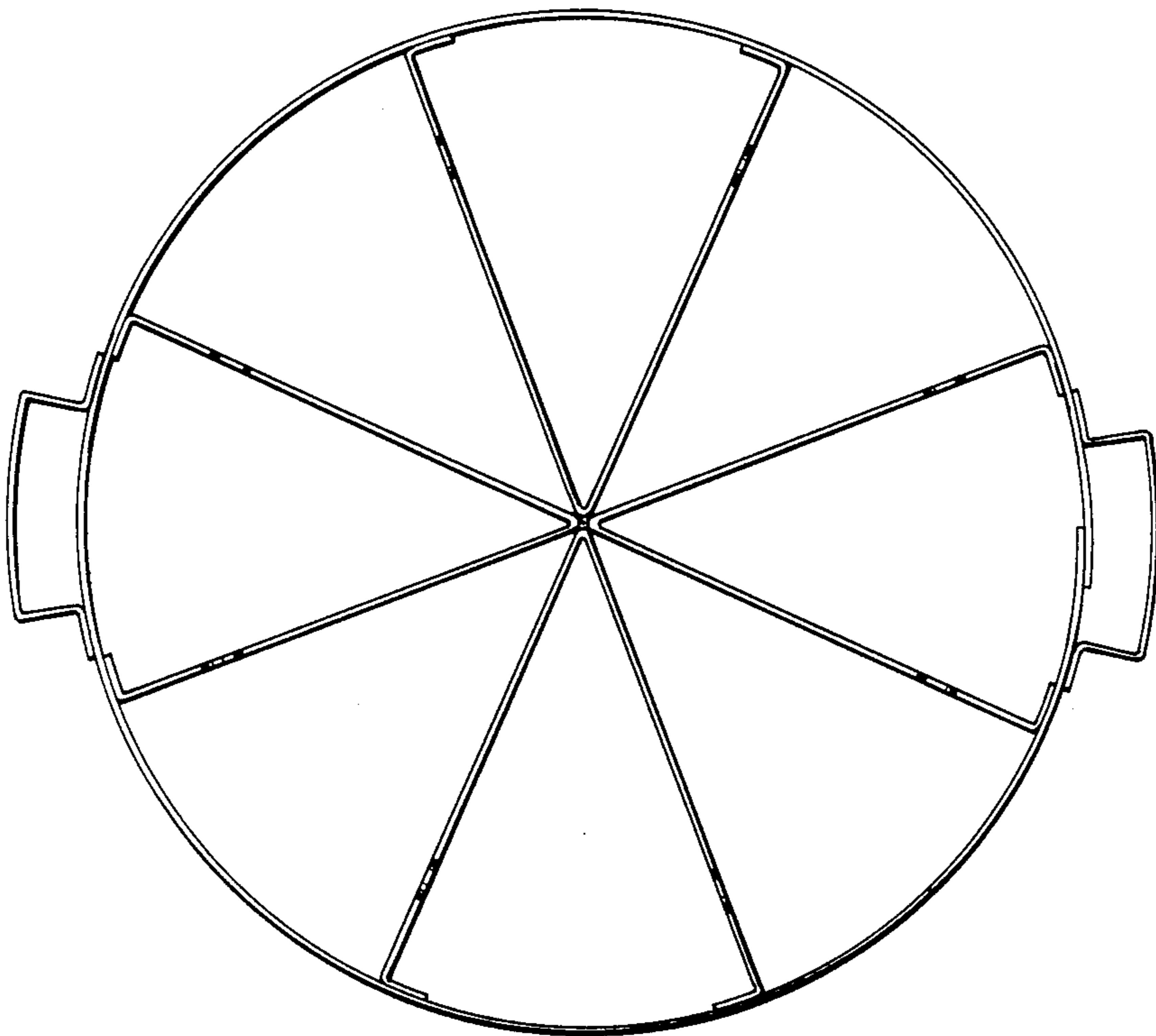


FIG. 4