

[54] COFFEEMAKER OR THE LIKE
[75] Inventors: Wolfgang Harms, Cherry Hill, N.J.;
Marshall B. Johnson, Chillicothe,
Ohio; Karl H. Bergmann; Richard G.
Gelak, both of Cherry Hill, N.J.

[73] Assignee: Melitta, Inc., Cherry Hill, N.J.

[**] Term: 14 Years

[21] Appl. No.: 669,254

[22] Filed: Mar. 22, 1976

[51] Int. Cl. D7-02

[52] U.S. Cl. D7/41

[58] Field of Search D7/59, 62, 63, 66, 67,
D7/85, 41; D15/112, 113, 115

[56] References Cited

U.S. PATENT DOCUMENTS

3,869,968 3/1975 Ihlenfeld 99/280

3,987,717 10/1976 Bergmann 99/280
D. 228,053 8/1973 Knox D7/63
D. 234,114 1/1975 Bergmann et al. D7/85
D. 234,901 4/1975 Mantelet D7/59
D. 243,308 2/1977 Harms et al. D7/41 X

Primary Examiner—Winifred E. Herrmann
Attorney, Agent, or Firm—Jacob Trachtman

[57] CLAIM

The ornamental design for a coffeemaker or the like,
substantially as shown.

DESCRIPTION

FIG. 1 is a front isometric view of the coffeemaker or
the like showing our new design;
FIG. 2 is a front elevational view;
FIG. 3 is a rear elevational view;
FIG. 4 is a left side elevational view;
FIG. 5 is a right side elevational view;
FIG. 6 is a top plan view; and
FIG. 7 is a bottom plan view.

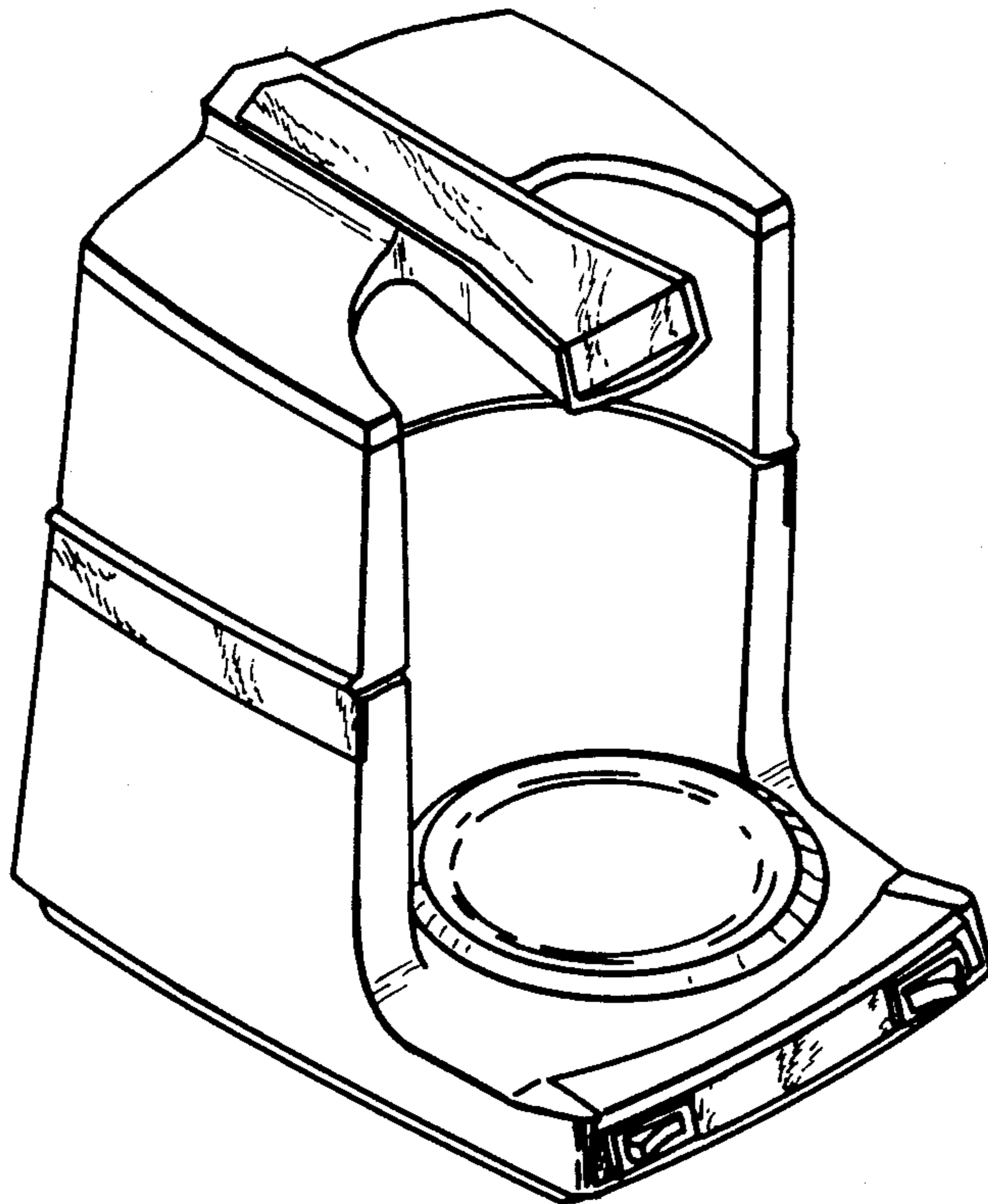


FIG. 1

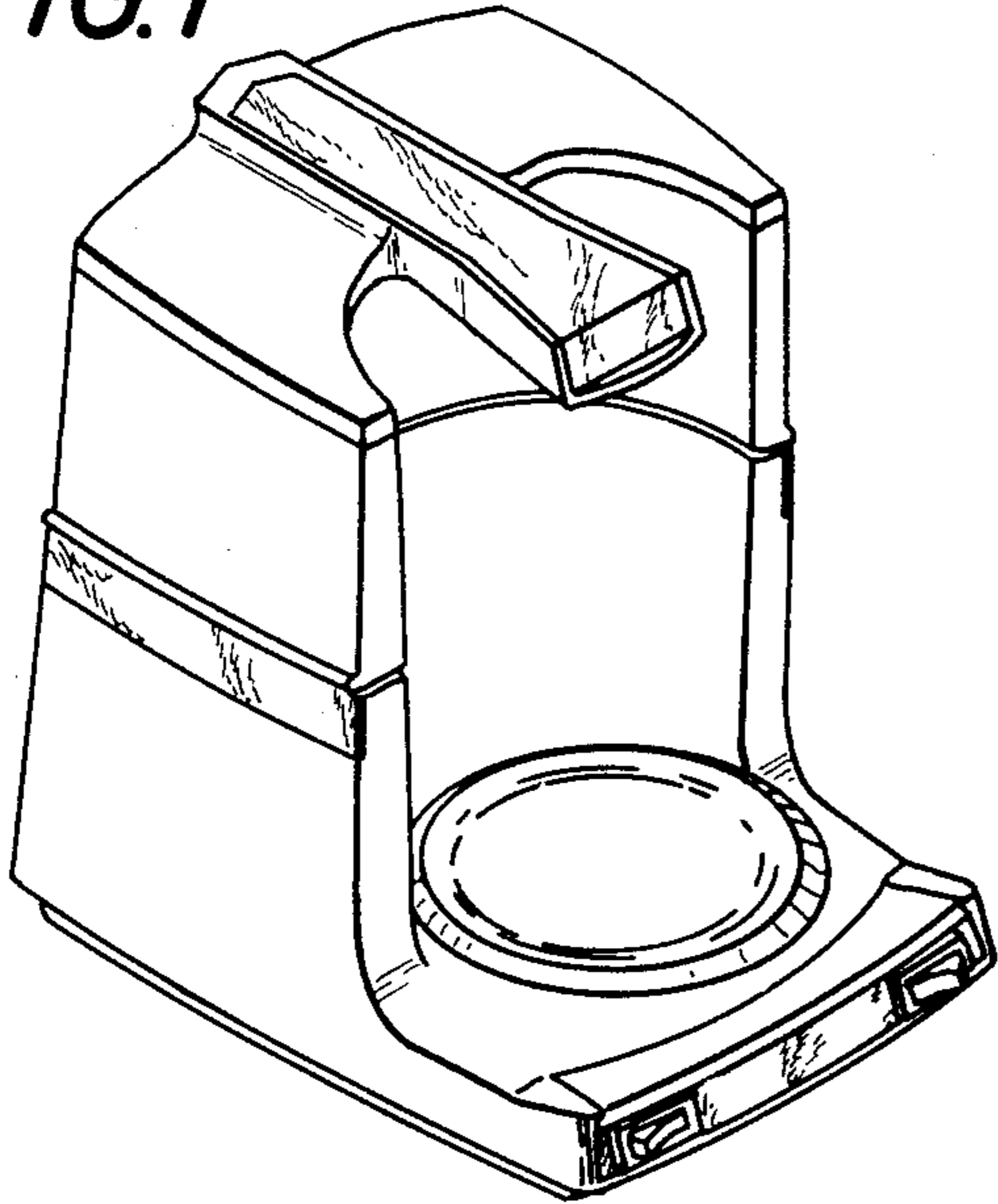


FIG. 2

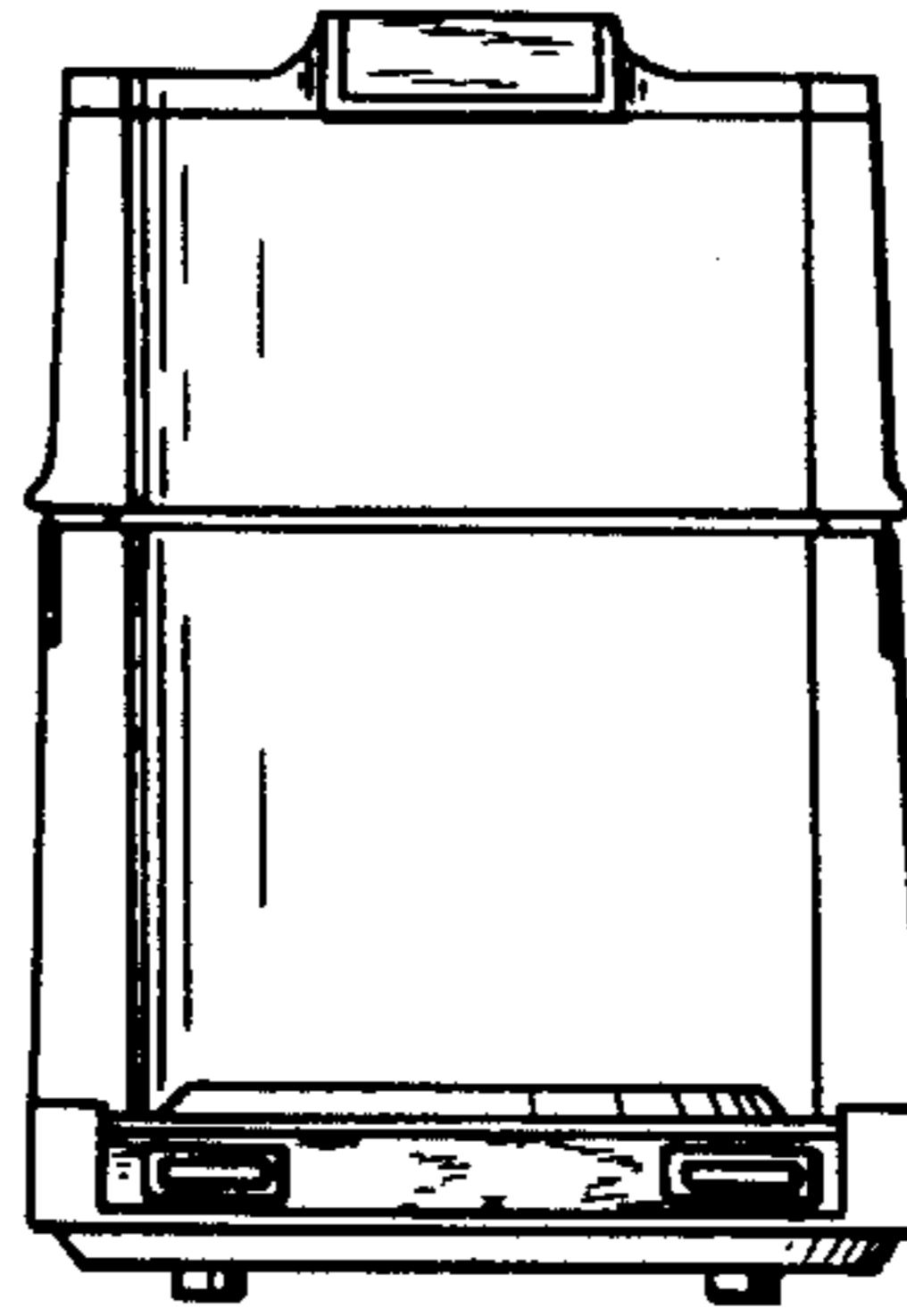


FIG. 3

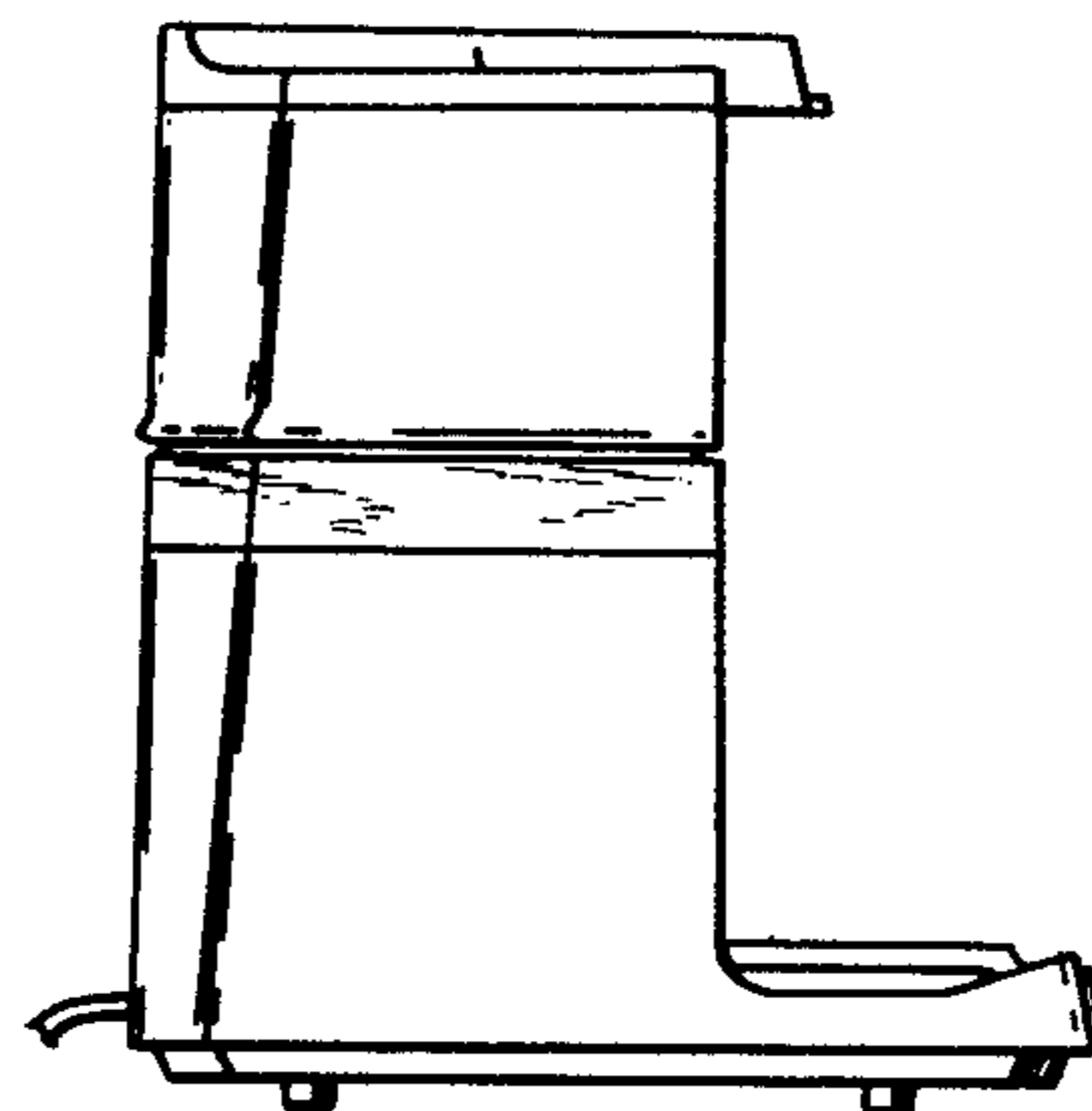
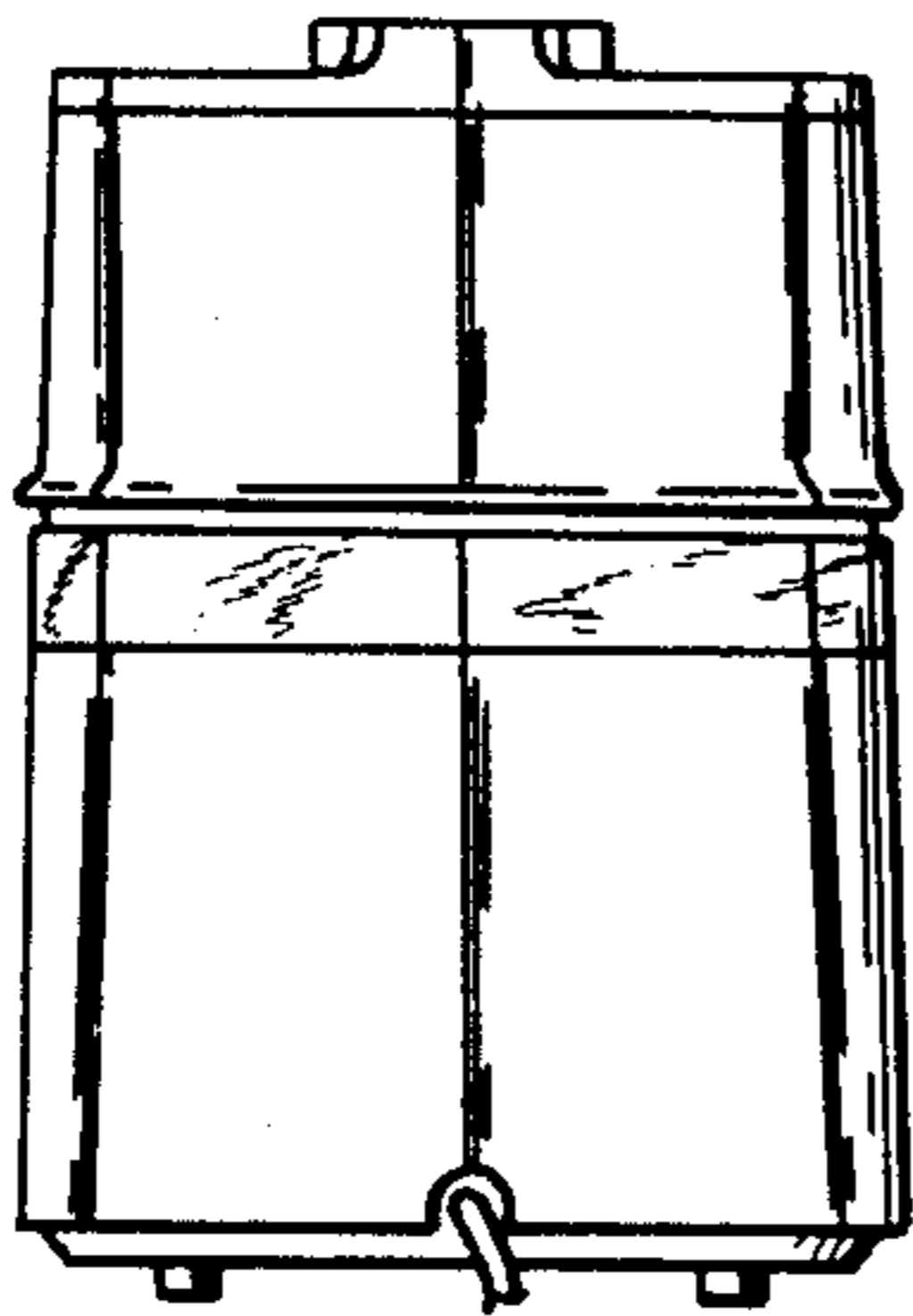


FIG. 4

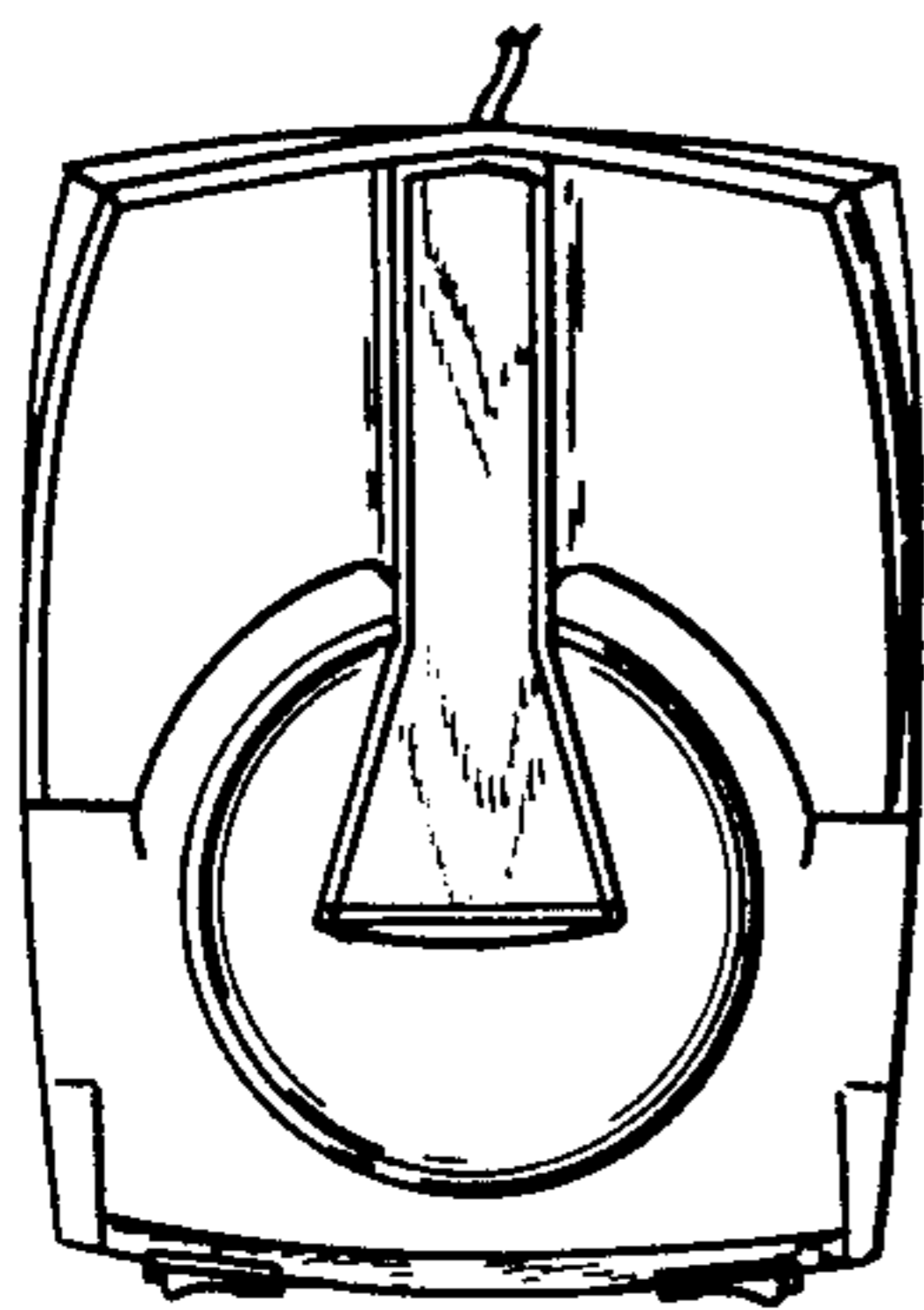


FIG. 6

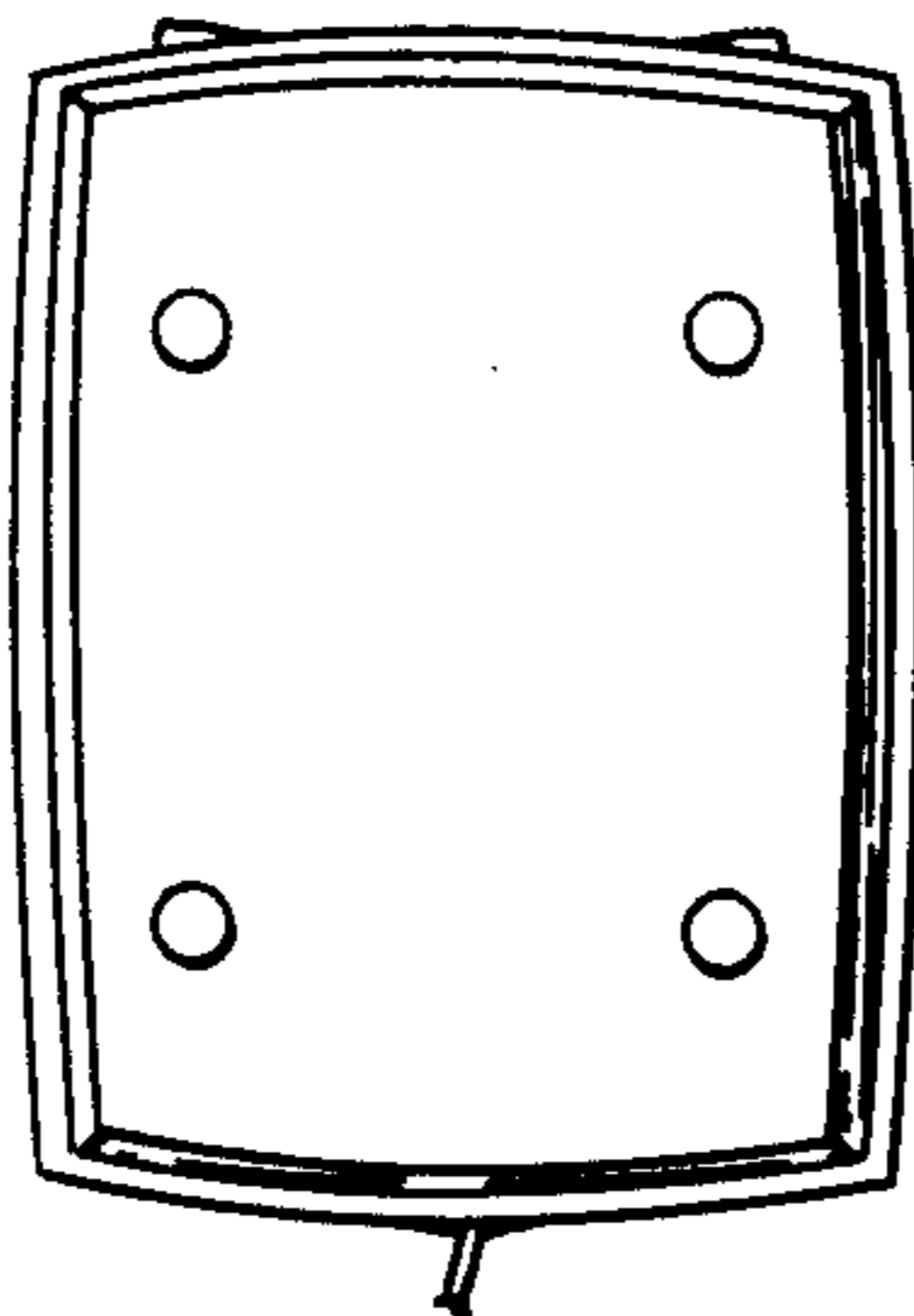


FIG. 7

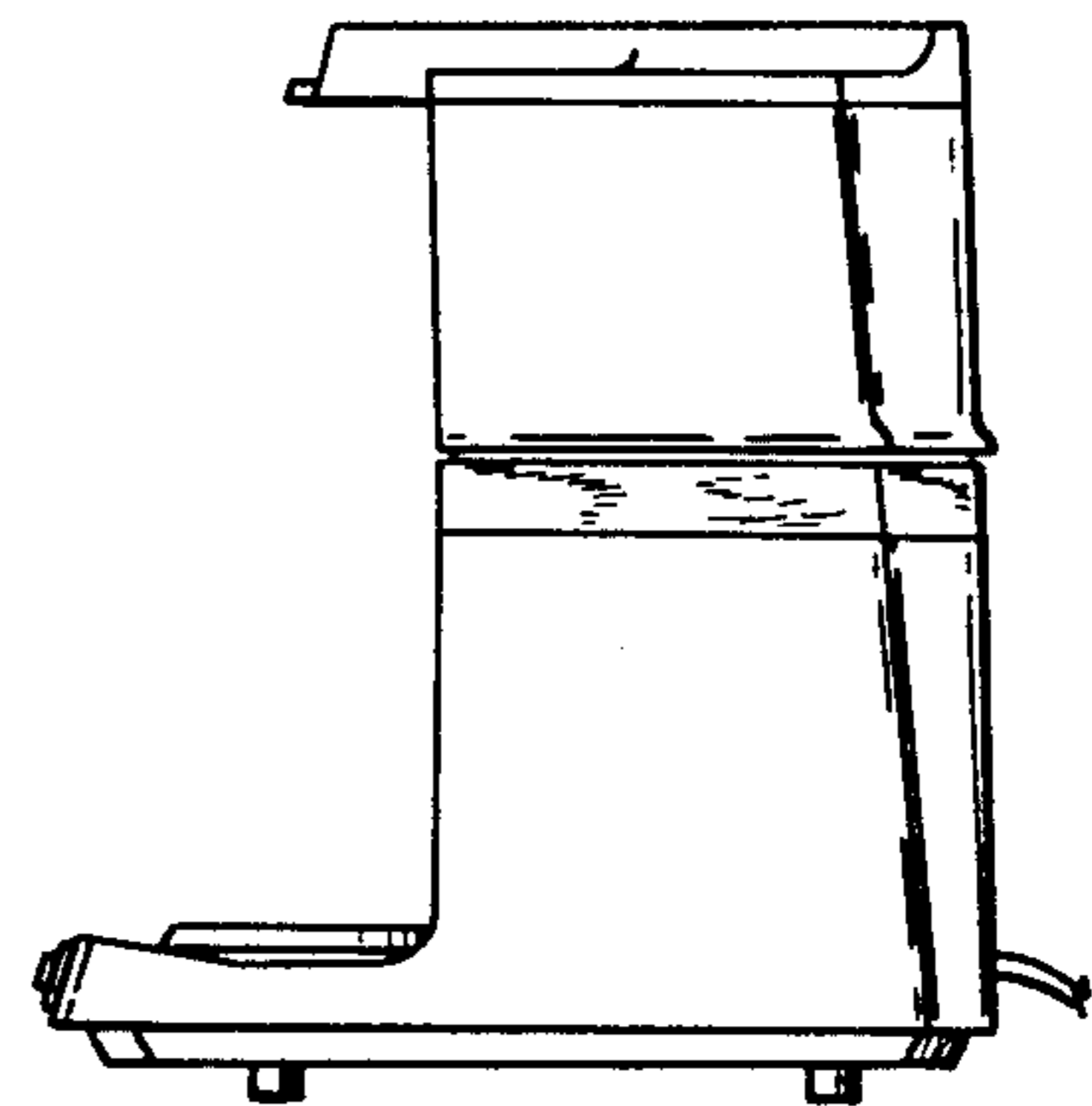


FIG. 5