

[54] TABLE

[76] Inventor: James Vance Holdam, Jr., 605 San Vincente, Apt. 110, Santa Monica, Calif. 90402

[**] Term: 14 Years

[21] Appl. No.: 660,165

[22] Filed: Feb. 23, 1976

[51] Int. Cl. D6-03

[52] U.S. Cl. D6/179

[58] Field of Search D6/157-186

[56] References Cited

U.S. PATENT DOCUMENTS

- D. 199,847 12/1964 Ulrich, Jr. et al. D6/156
- D. 217,682 5/1970 Meyer D6/156

- D. 230,229 2/1974 Dolgoff D6/181 X
- D. 231,967 7/1974 Webb D6/177

OTHER PUBLICATIONS

Office Appliances, Apr. 1967, p. 66, drafting table right center.

Primary Examiner—Bruce W. Dunkins
Attorney, Agent, or Firm—Ford W. Harris, Jr.

[57] CLAIM

The ornamental design for a table, as shown.

DESCRIPTION

FIG. 1 is a perspective view of a table showing my new design with the top in the horizontal position; FIG. 2 is a perspective view of the table of FIG. 1 with the top in an elevated position; and FIG. 3 is a perspective view of the table of FIG. 2 taken from the right.

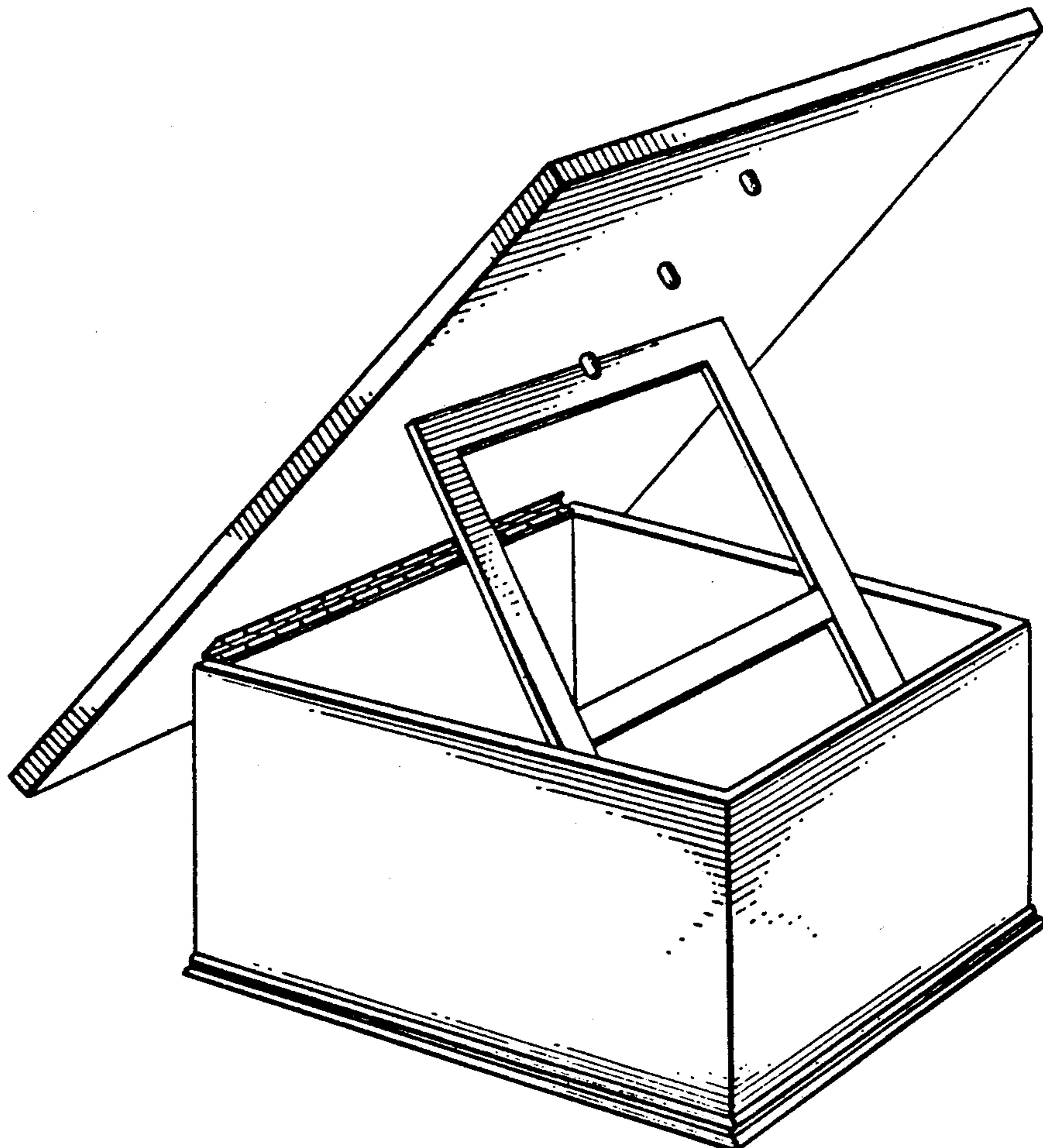


FIG. 1.

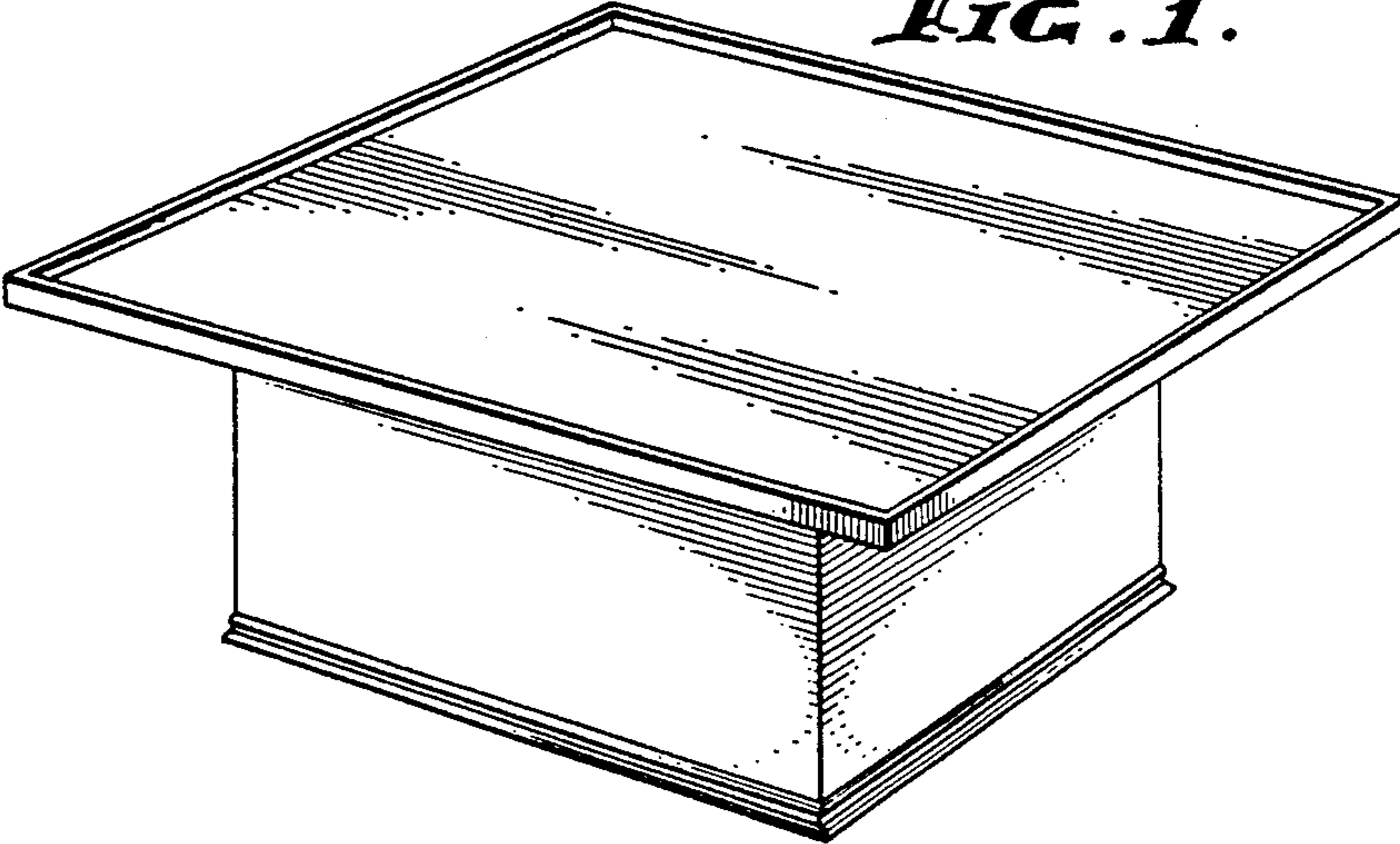


FIG. 2.

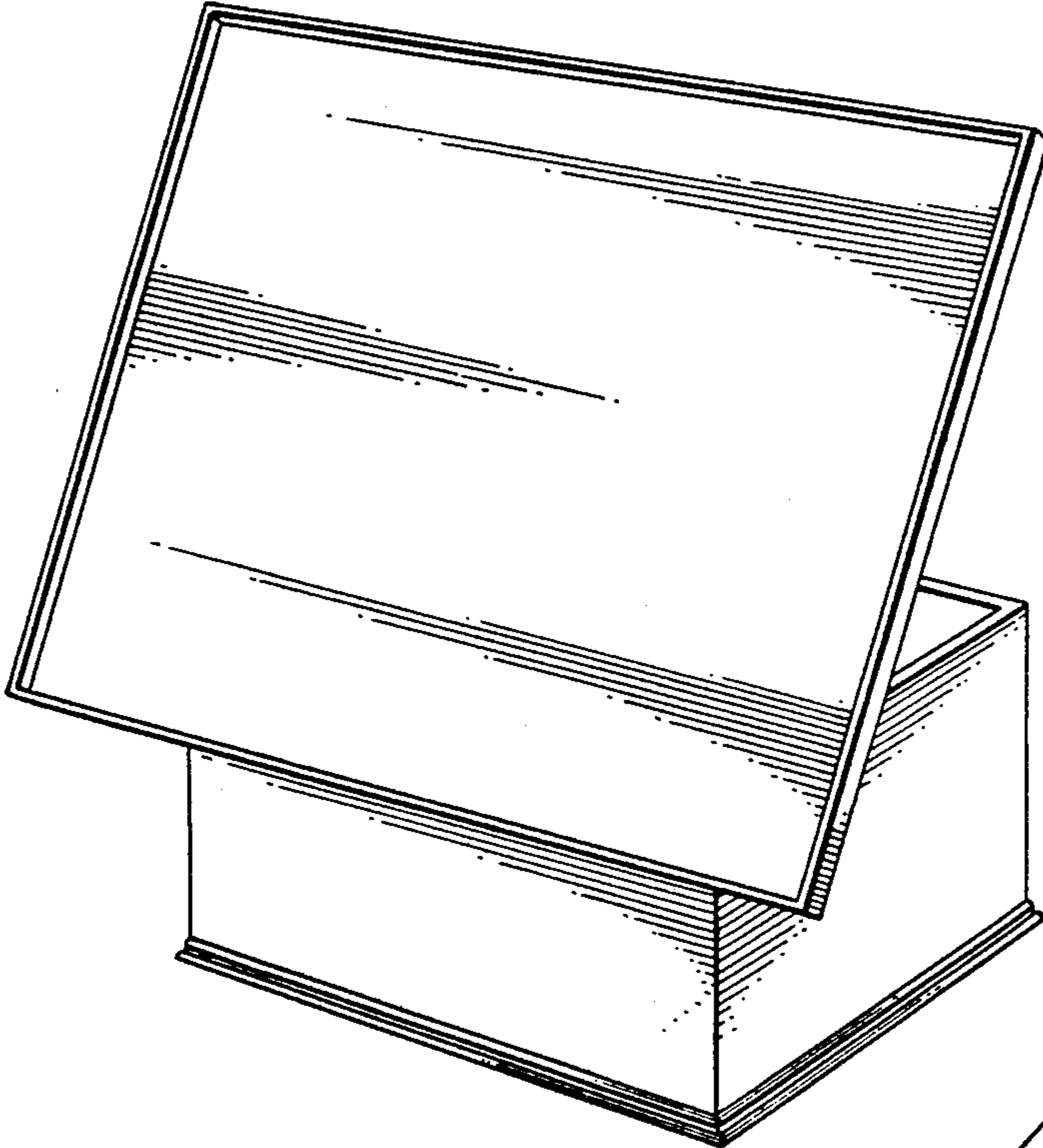


FIG. 3.

