

[54] COMBINED TUMBLER AND TOOTHBRUSH HOLDER

D. 231,056 4/1974 Tegner ..... D6/89  
D. 242,194 11/1976 Gold ..... D6/89

[75] Inventor: Raymond U. H. Tegner, Lodi, Wis.

Primary Examiner—Wallace R. Burke

[73] Assignee: Amerock Corporation, Rockford, Ill.

Assistant Examiner—B. J. Bullock

[\*\*] Term: 14 Years

Attorney, Agent, or Firm—C. Frederick Leydig

[21] Appl. No.: 771,153

[57] CLAIM

[22] Filed: Feb. 23, 1977

The ornamental design for a combined tumbler and toothbrush holder, as shown.

[51] Int. Cl. .... D23—02; D8—06

DESCRIPTION

[52] U.S. Cl. .... D6/92

FIG. 1 is a top plan view of a combined tumbler and toothbrush holder incorporating my new design.

[58] Field of Search ..... D8/300, 307, 310, 312, D8/321-322; D6/86, 89, 90, 92, 93, 94

FIG. 2 is a side elevational view of the holder.

FIG. 3 is a sectional view taken along the line 3—3 in FIG. 1.

[56] References Cited

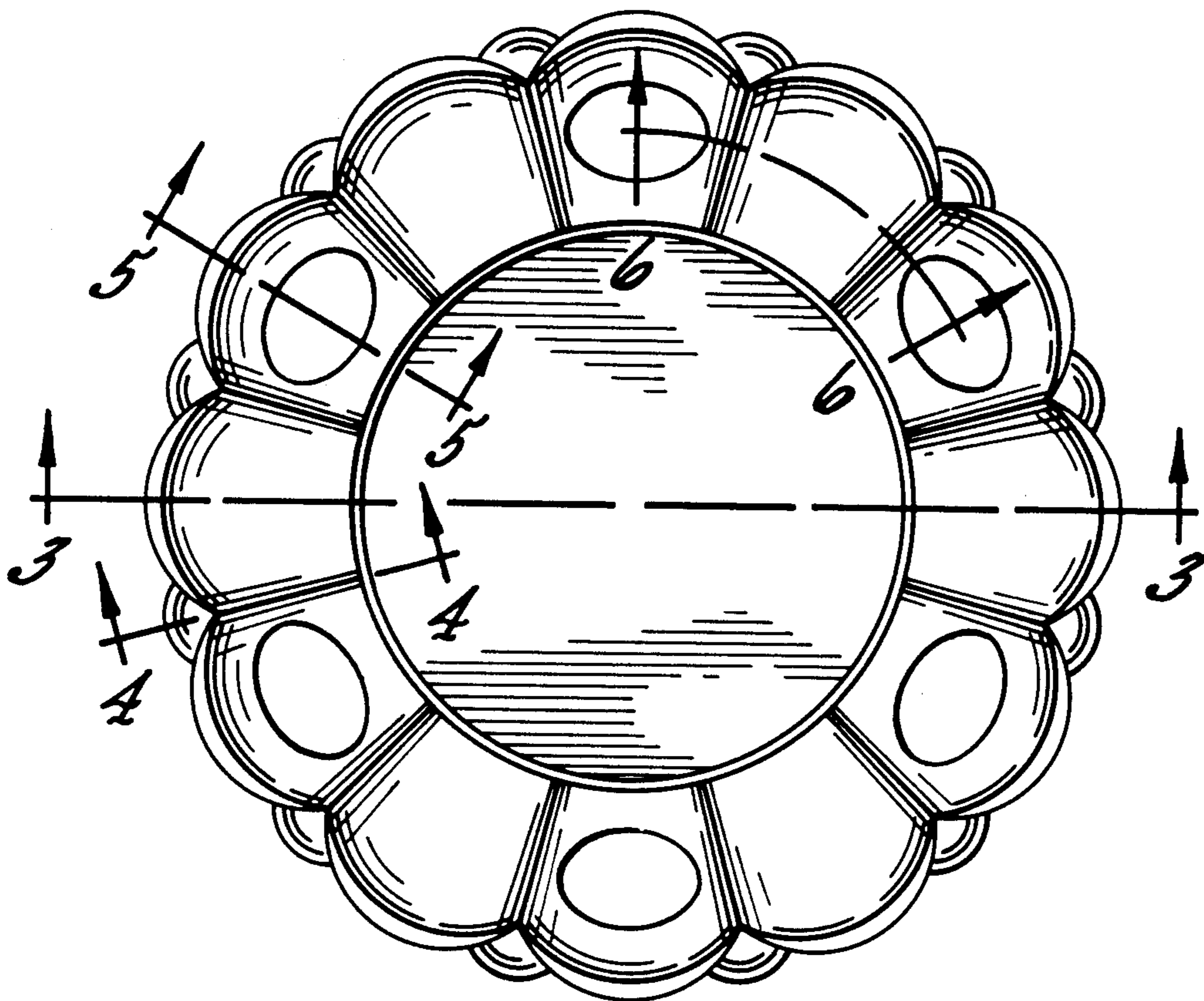
U.S. PATENT DOCUMENTS

|            |         |         |       |        |
|------------|---------|---------|-------|--------|
| D. 204,801 | 5/1966  | Rhoades | ..... | D8/312 |
| D. 206,147 | 11/1966 | Clayton | ..... | D8/310 |
| D. 225,947 | 1/1973  | Tegner  | ..... | D6/89  |
| D. 228,271 | 9/1973  | Tegner  | ..... | D6/92  |

FIG. 4 is an enlarged fragmentary sectional view taken along the line 4—4 in FIG. 1.

FIG. 5 is an enlarged fragmentary sectional view taken along the line 5—5 in FIG. 1.

FIG. 6 is an enlarged fragmentary sectional view taken along the line 6—6 in FIG. 1.



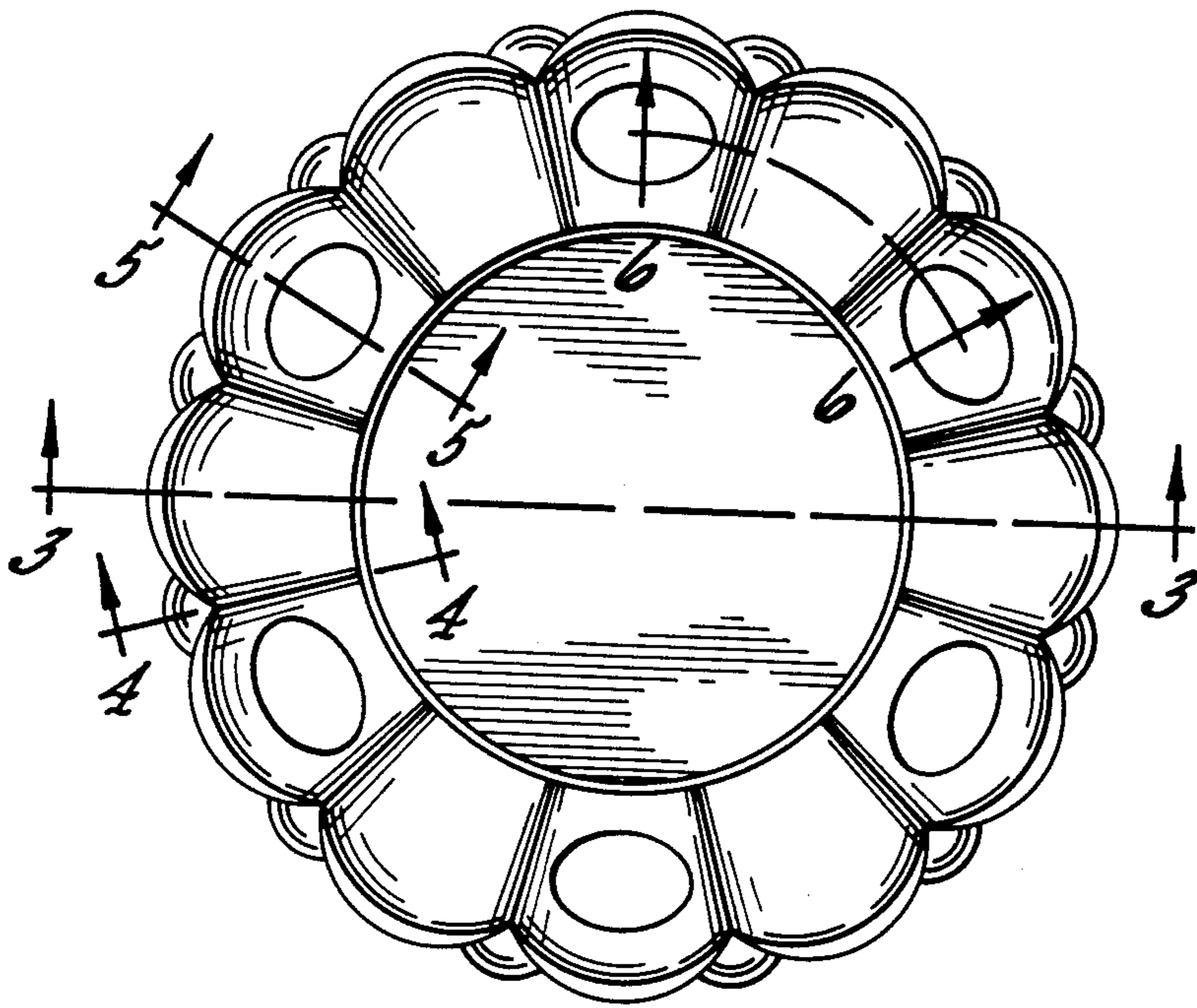


FIG. 1.

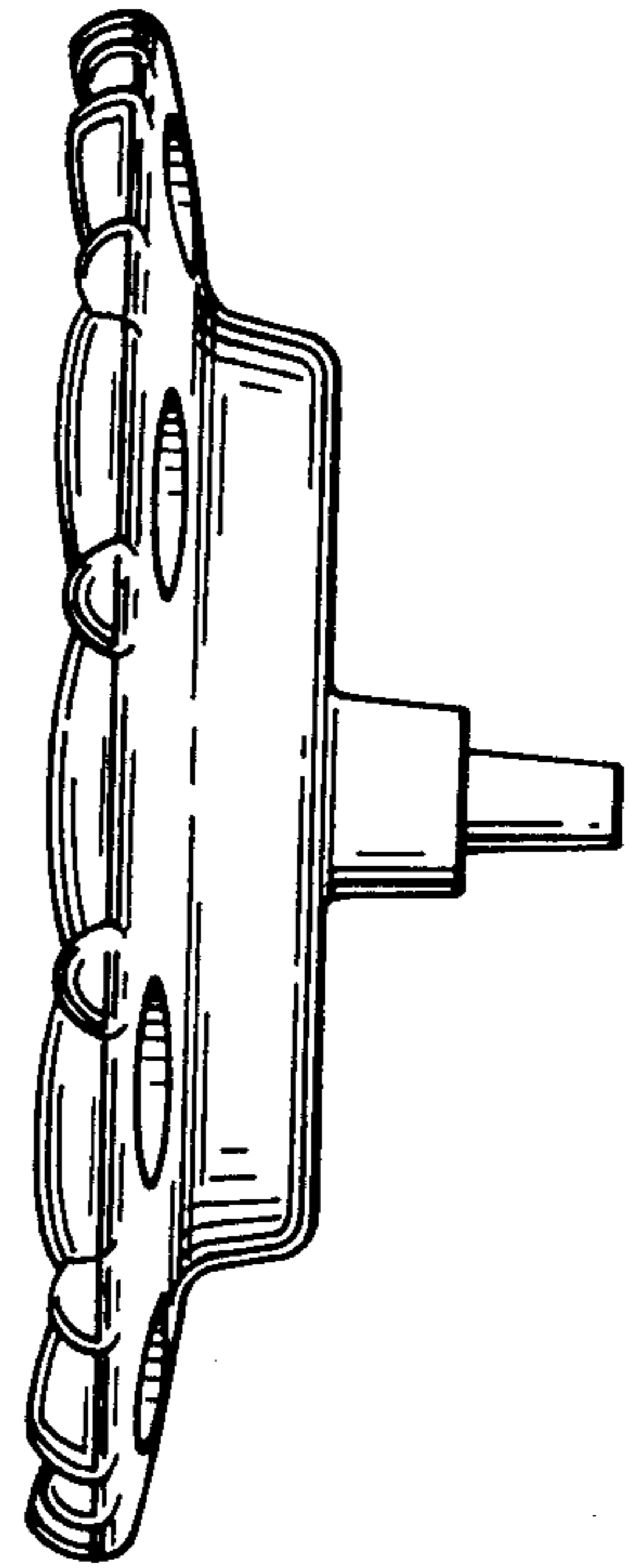


FIG. 2.

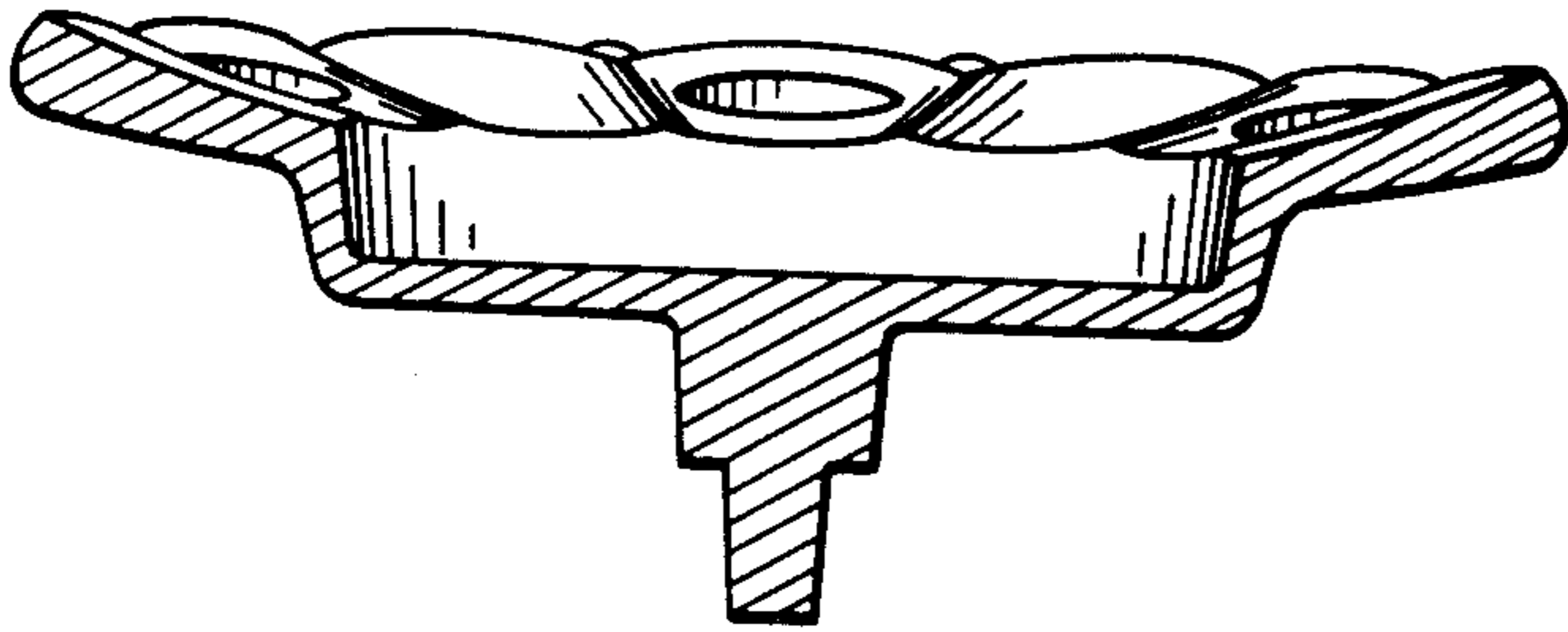


FIG. 3.

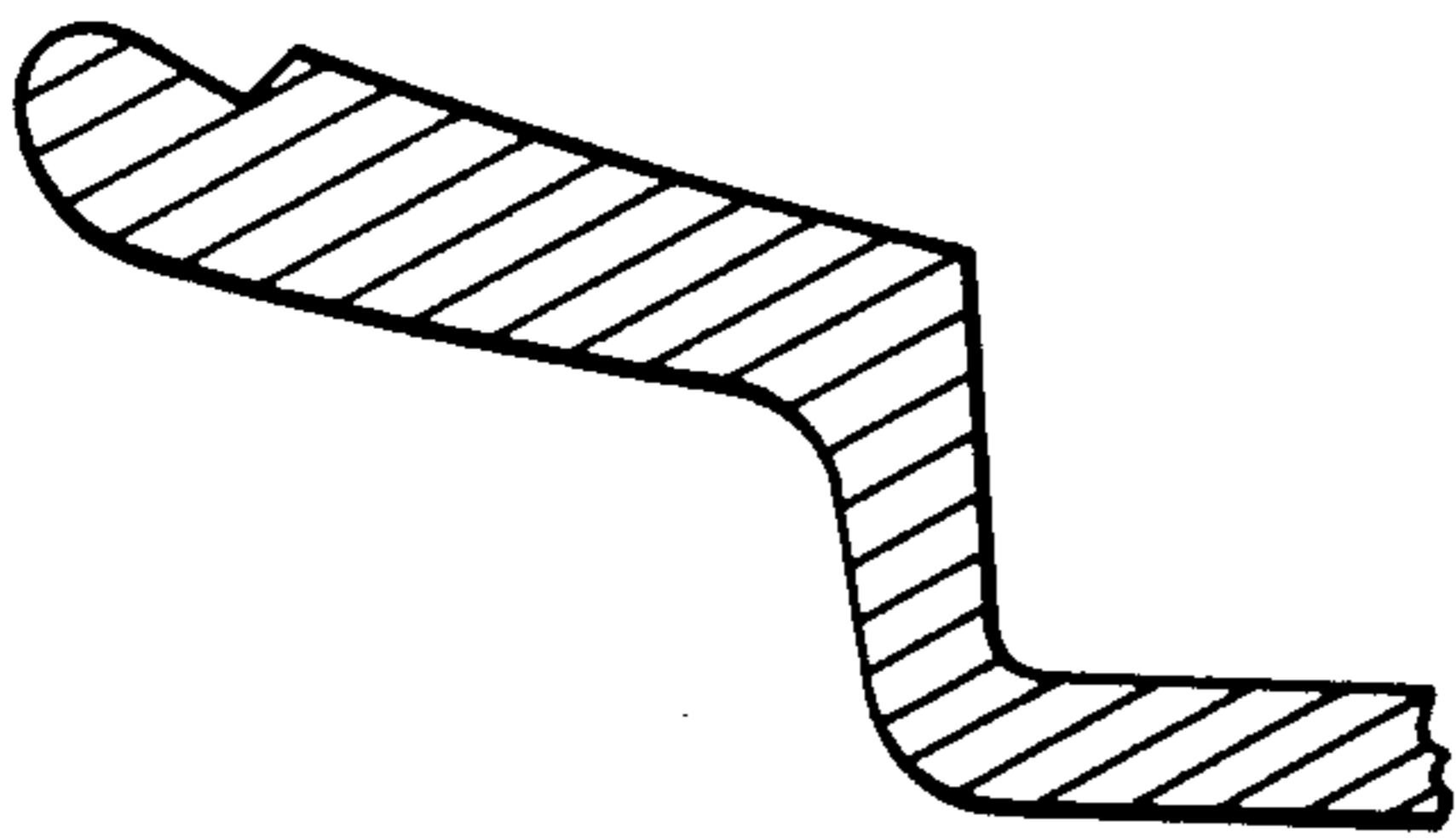


FIG. 4.

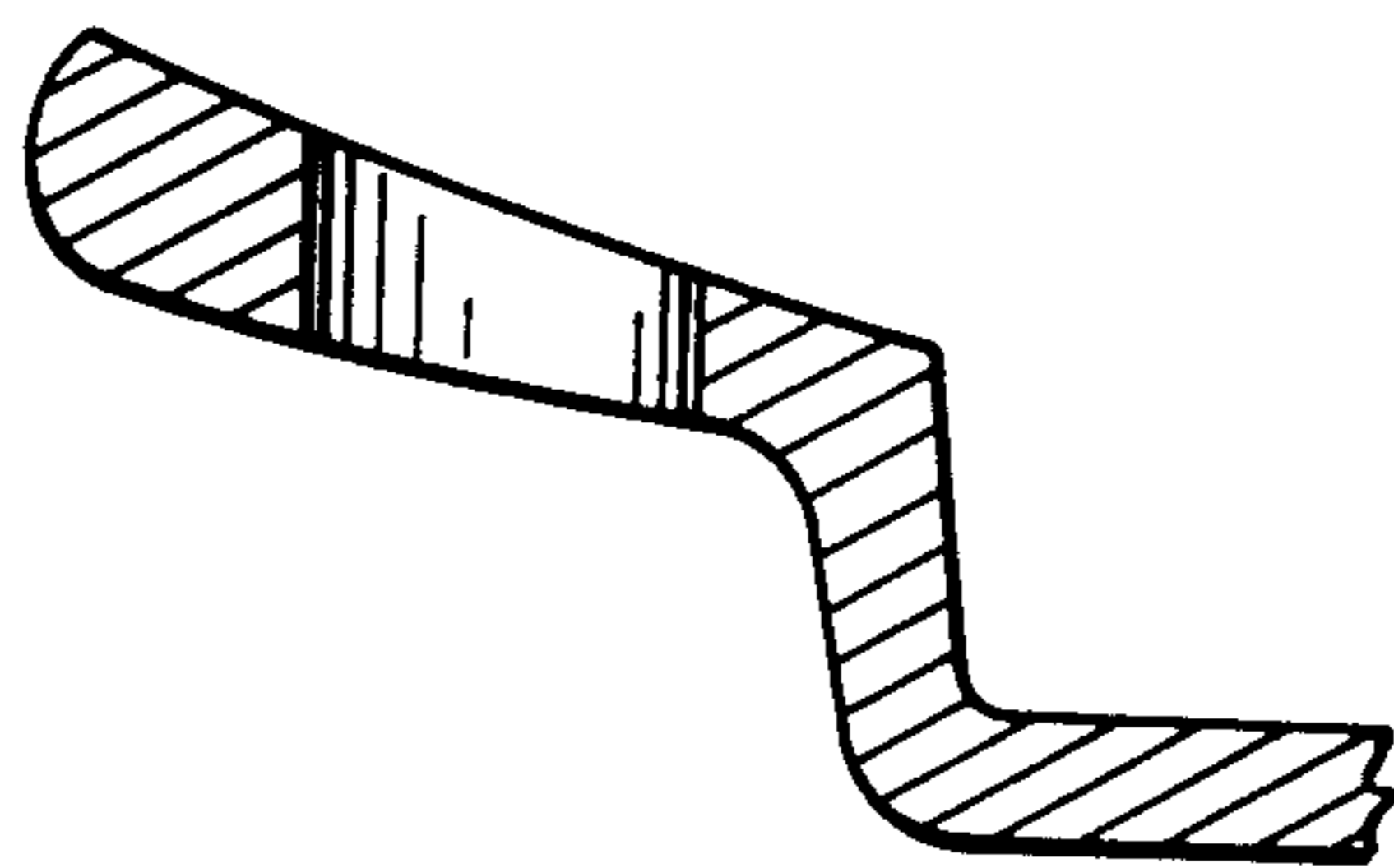


FIG. 5.

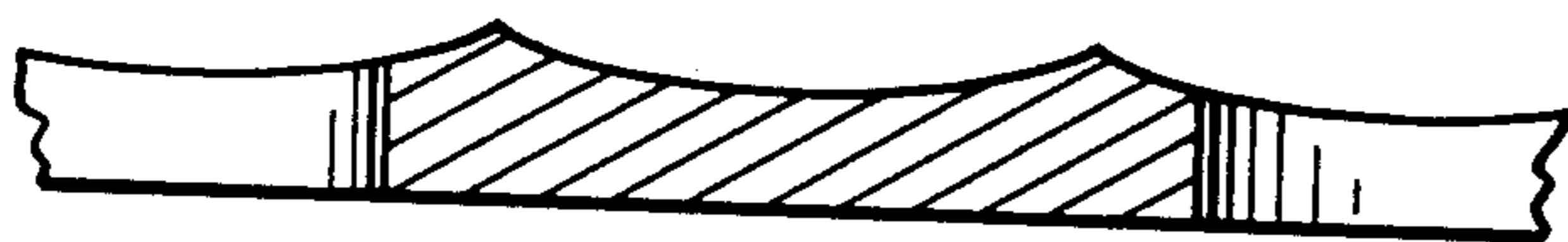


FIG. 6.