

[54] COMBINED SOAP HOLDER AND PAPER TOWEL DISPENSER

[76] Inventor: Theodore W. Richards, 1936 Sloat Blvd., San Francisco, Calif. 94116

[**] Term: 14 Years

[21] Appl. No.: 609,782

[22] Filed: Sept. 2, 1975

[51] Int. Cl. D23-02

[52] U.S. Cl. D6/91

[58] Field of Search D6/86, 89, 90, 91, 95, D6/96, 97, 127, 145; 222/173, 185; 242/55.2, 55.3; 206/77.1; D52/2 C

[56] References Cited

U.S. PATENT DOCUMENTS

1,156,266 10/1915 Bens et al. 242/55.2

1,178,159 4/1916 Holmes 242/55.2
2,704,907 3/1955 Durkee 206/77.1
D. 186,840 12/1959 Vedrenne da Cruz D6/91

Primary Examiner—Wallace R. Burke
Assistant Examiner—B. J. Bullock
Attorney, Agent, or Firm—Theodore W. Richards

[57] CLAIM

The ornamental design for a combined soap holder and paper towel dispenser, as shown and described.

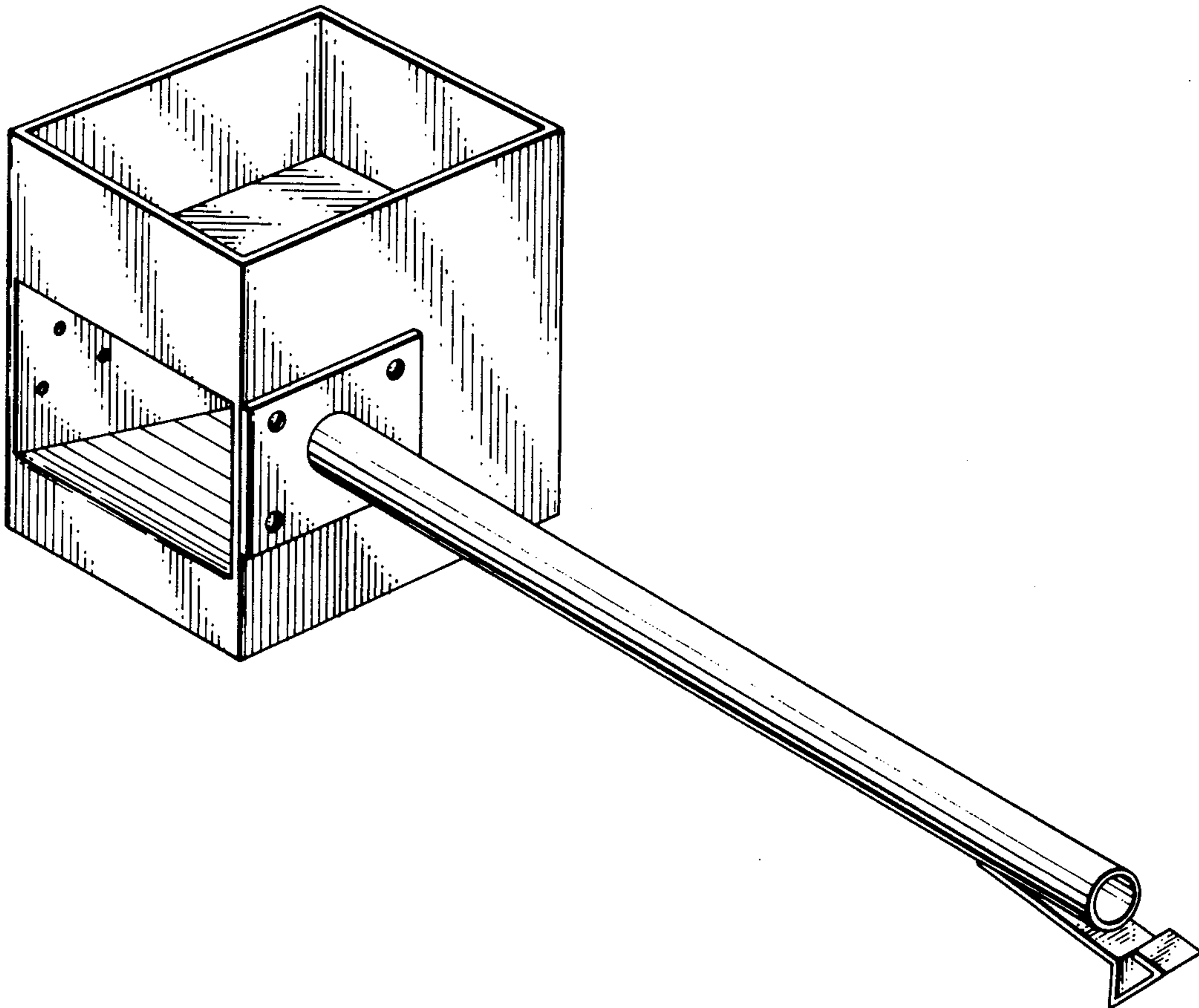
DESCRIPTION

FIG. 1 is a side elevational view of a combined soap holder and paper towel dispenser showing my new design;

FIG. 2 is a top plan view thereof;

FIG. 3 is a perspective view thereof.

The rear, bottom, and side which are not shown are flat and unornamented.



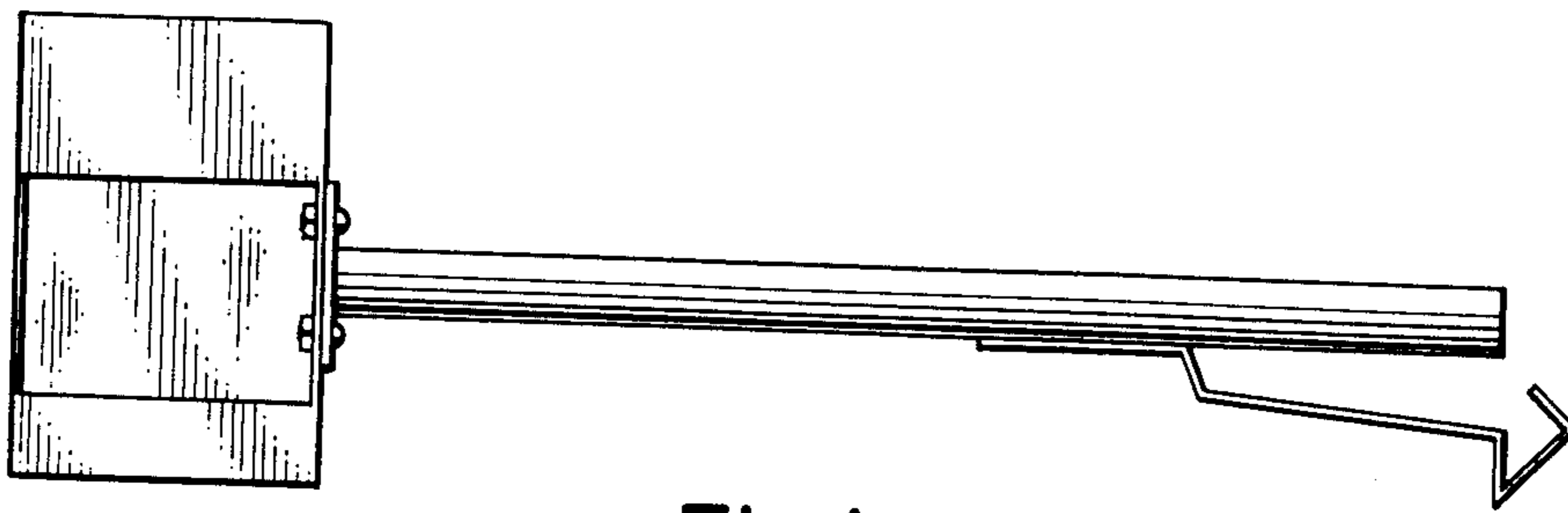


Fig. 1



Fig. 2

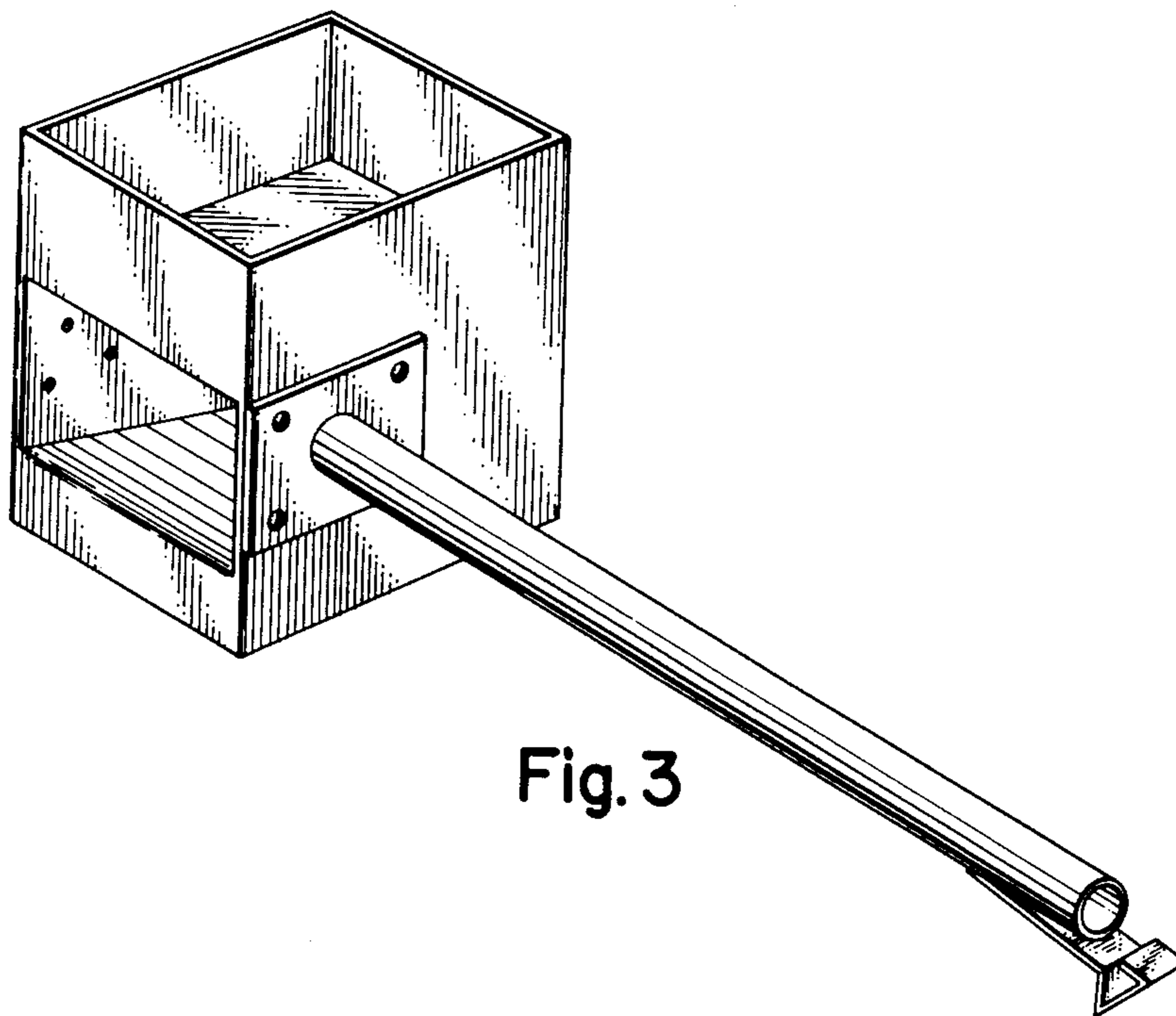


Fig. 3