

[54] BOOK REST FOR BATHTUBS AND ARMCHAIRS

[76] Inventor: William Tempchin, 11385 Columbia Pike, No. C-1, Silver Spring, Md. 20904

[\*\*] Term: 14 Years

[21] Appl. No.: 712,724

[22] Filed: Aug. 9, 1976

[51] Int. Cl. .... D6-06

[52] U.S. Cl. .... D6/86

[58] Field of Search ..... D6/85, 86, 91, 106, D6/138, 184, 199; D19/90, 91; D12/133; 108/42, 43, 49, 152; 211/42; 248/441 B, 441 D, 444, 451, 452, 454, 455, 456; 297/174

[56]

References Cited

U.S. PATENT DOCUMENTS

1,942,340	1/1934	Madden .....	248/456
2,783,109	2/1957	Frey .....	108/43
D. 164,483	9/1951	Flannery .....	D19/91
D. 177,324	4/1956	Hartman .....	D6/199
D. 218,980	10/1970	Balkus .....	D6/138
D. 237,334	10/1975	Garofalo .....	D6/184

Primary Examiner—Wallace R. Burke

Assistant Examiner—B. J. Bullock

[57]

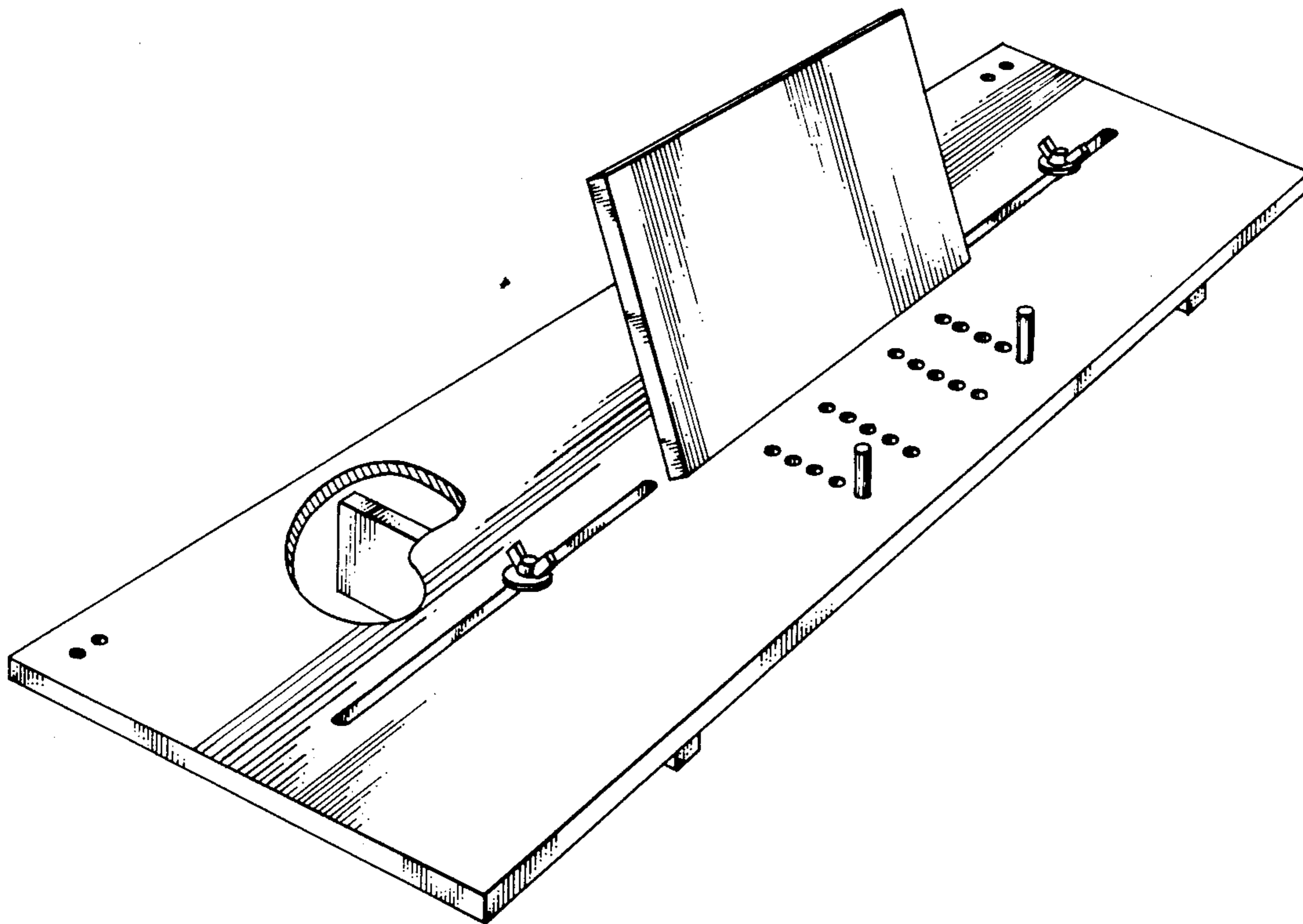
CLAIM

The ornamental design for a bookrest for bathtubs and armchairs, as shown and described.

DESCRIPTION

FIG. 1 is a top front perspective view of a bookrest for bathtubs and armchairs showing my new design, a portion of the horizontal support being deleted for clarity of disclosure;

FIG. 2 is a top rear perspective thereof.



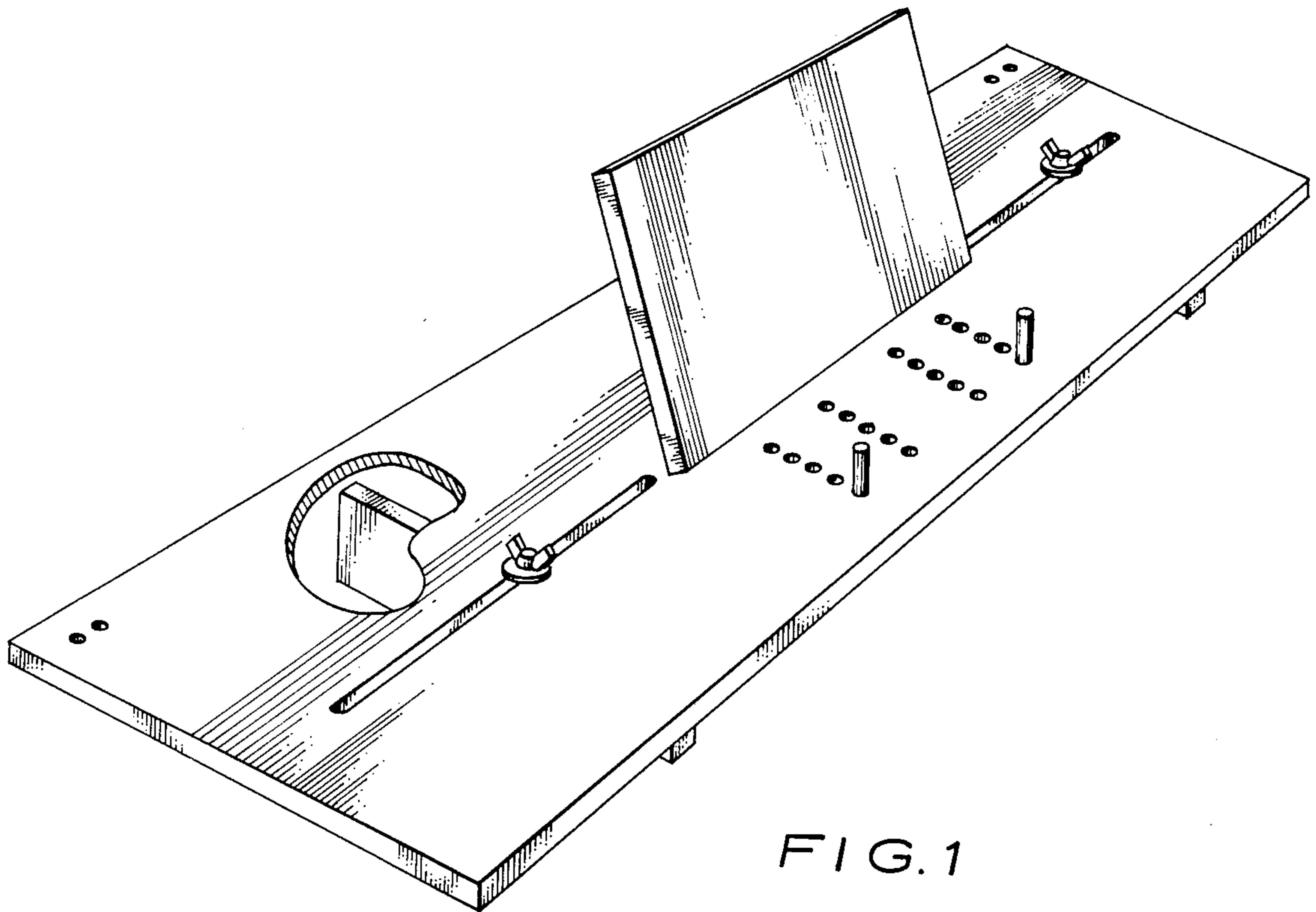


FIG. 1

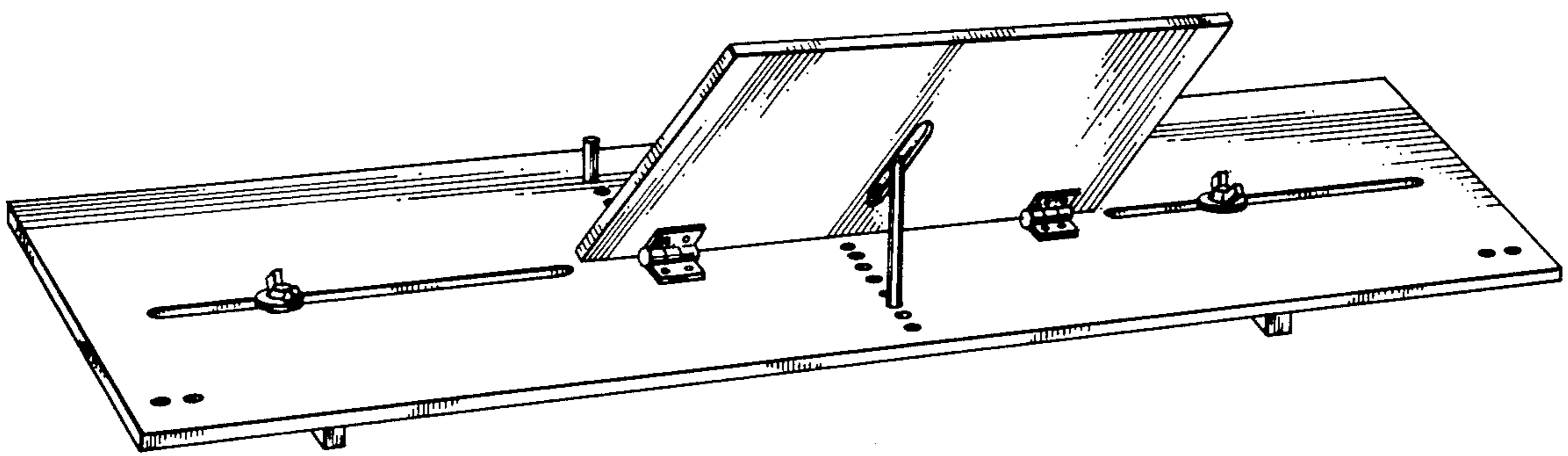


FIG. 2