

[54] WATER COOLED SMOKING DEVICE

[56]

References Cited

U.S. PATENT DOCUMENTS

[76] Inventors: Robert A. Lefkow, 1602 Strand; Alan E. Gross, 43 - 18th St., both of Hermosa Beach, Calif. 90254

3,863,646 2/1975 Kahler 131/173
D. 230,775 3/1974 Frost D27/3

Primary Examiner—Wallace R. Burke
Assistant Examiner—Catherine Kemper
Attorney, Agent, or Firm—E. Manning Giles

[**] Term: 14 Years

[57]

CLAIM

[21] Appl. No.: 703,916

The ornamental design for a water cooled smoking device, substantially as shown.

[22] Filed: July 9, 1976

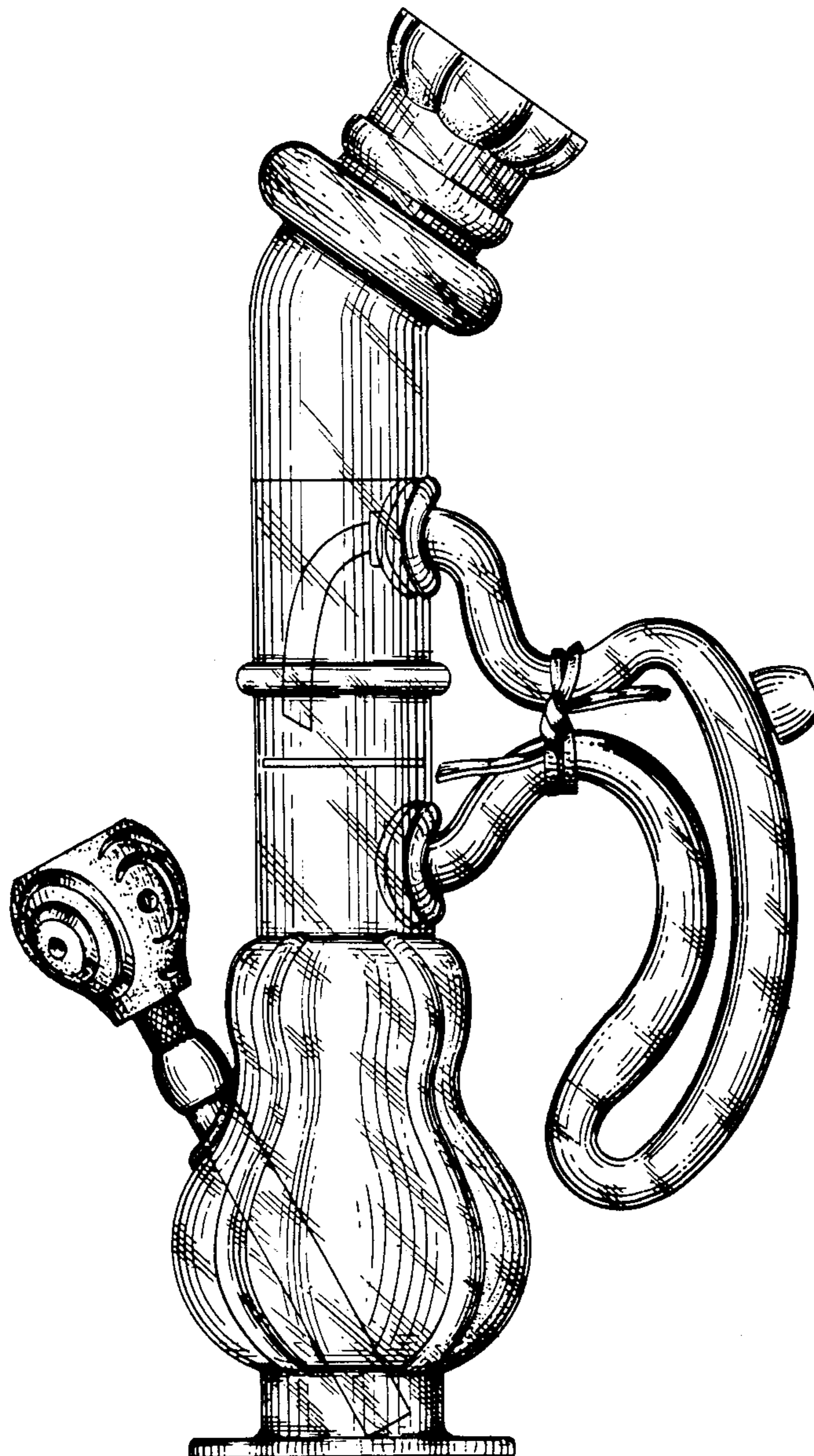
DESCRIPTION

[51] Int. Cl. D27—02

[52] U.S. Cl. D27/3

[58] Field of Search D27/3, 4, 5, 7;
131/171 R, 173, 174, 178, 179, 180, 193, 194,
198 R, 199, 200, 216, 222

FIG. 1 is a front elevational view of a water cooled smoking device, showing our new design; FIG. 2 is a view of one side thereof; FIG. 3 is a view of the other side thereof; FIG. 4 is a top plan view thereof; and FIG. 5 is a bottom plan view thereof.



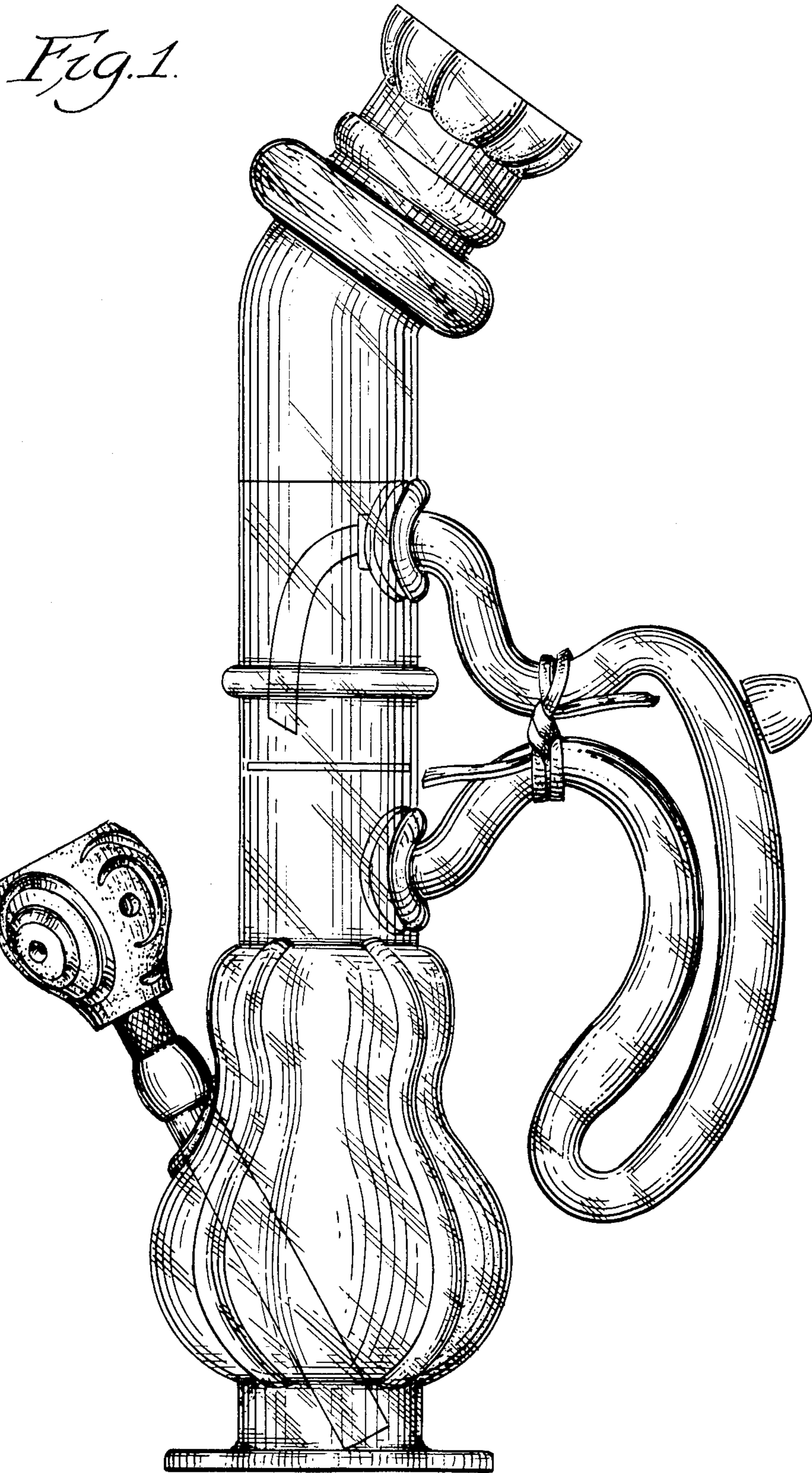


Fig. 2.

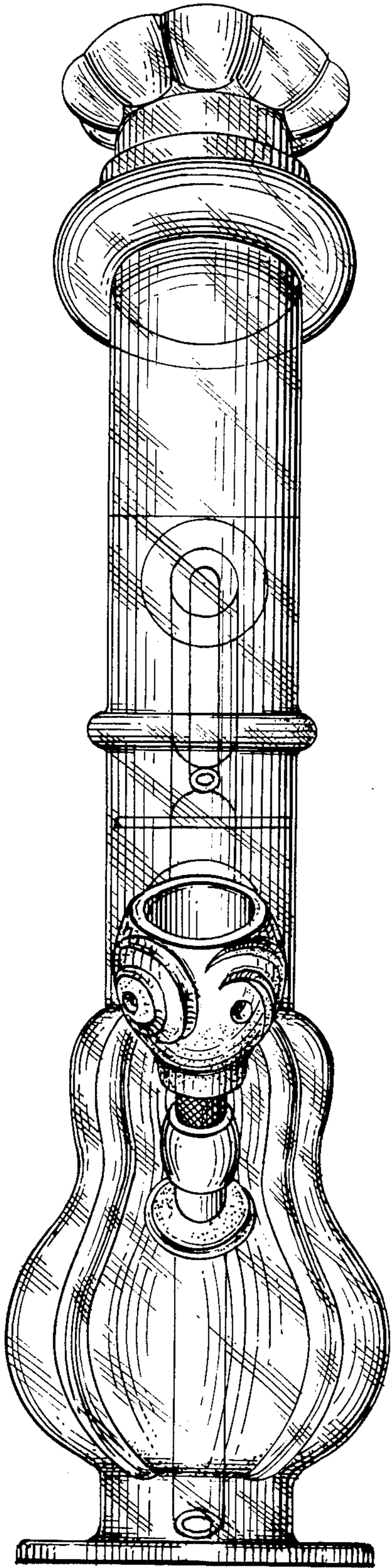


Fig. 3.

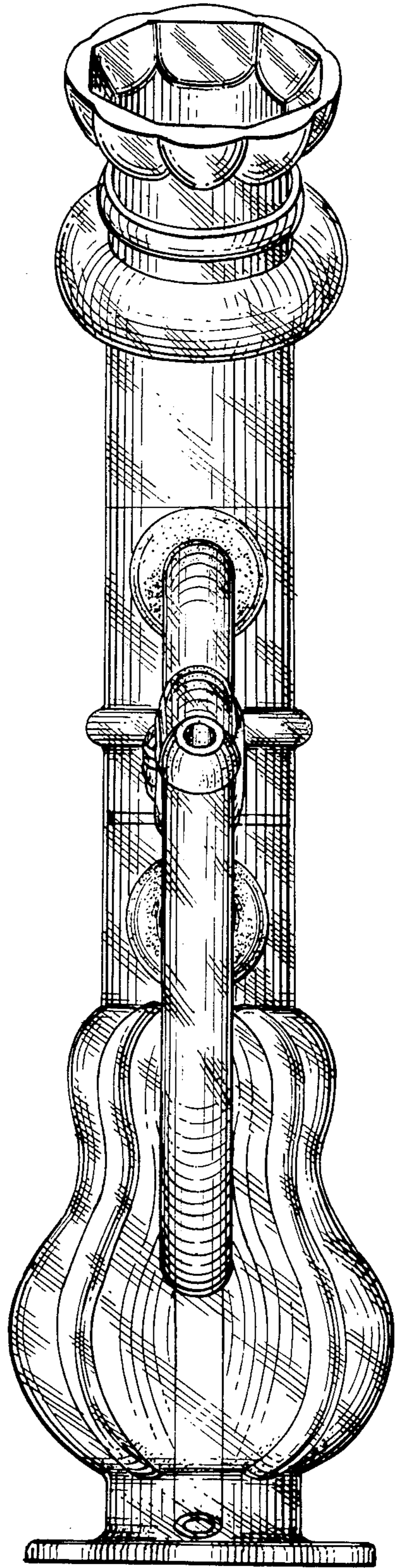


Fig. 4.

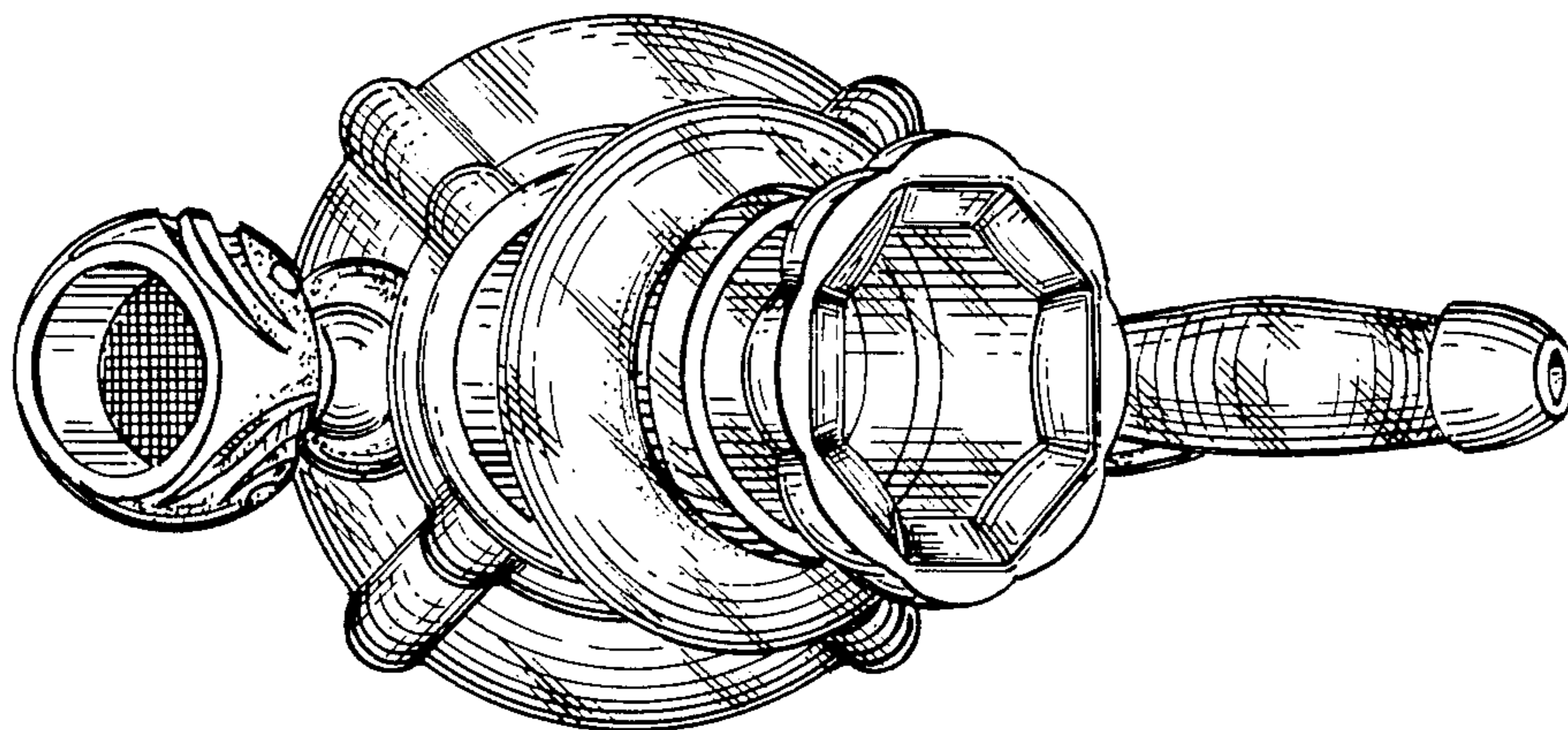


Fig. 5.

